

Firefly™ RELEASING DEVICES



Releasing Devices

A releasing device is an electro-mechanical device that allows a manually released fire door to be connected to a smoke detector or central building alarm system. Upon activation of a smoke detector or central building alarm system, the releasing device will release the fire door and allow it to automatically close. All releasing devices must be listed by an independent testing laboratory and comply with UL-864 (Control Units and Accessories for Fire Alarm Systems). The full line of Cookson Firefly™ releasing devices are failsafe in design.

Firefly™ Releasing Devices

The Cookson Company offers 3 Firefly™ releasing devices to meet the various needs of building alarm systems. Firefly™ releasing devices are solid state and come with a variable alarm time delay factory preset to 10 seconds, but can be field set to a maximum of 60 seconds. Upon the activation of a smoke detector or central alarm system, the Firefly™ releasing device will not release the fire door until the time delay has elapsed. If the smoke detector or central alarm system is reset before the time delay has elapsed, the door will not automatically close. This time delay feature is to prevent the closing of fire doors due to power brownouts.

Firefly III™

The Firefly III™ releasing device is made to connect to a building central alarm system. It is powered by 24V DC power wired directly into the building alarm control panel and is supported by the building alarm control panel emergency power source. In case of building power failure, the fire alarm control panel emergency power source will power the Firefly III™ and the door will not close unless there is an alarm activation.

Firefly III Plus™

The Firefly III Plus™ releasing device is made to be a stand alone releasing device that does not need to, but can, be connected to a building central alarm system. It has all of the features of the Firefly III™ plus a built in battery that can power up to 2 smoke detectors and / or sounder strobes for as long as 72 hours in the event of a power failure. This provides fire protection during power failures, preventing unnecessary door closings, without the expense of a central battery back-up system. The Firefly III™ Plus is multivoltage 120 VAC, 24 VAC and 24 VDC.

Firefly IV MV™

The Firefly IV MV™ releasing device is made as a stand alone releasing device or one that can be connected to a building central alarm system. It is multivoltage 115 VAC, 24 VAC and 24 VDC and can power a 24 VDC closing warning device. The Firefly IV MV™ will allow the door to close in the event of a power failure that lasts longer than the 10 second time delay to assure there is fire protection during sustained power failures.

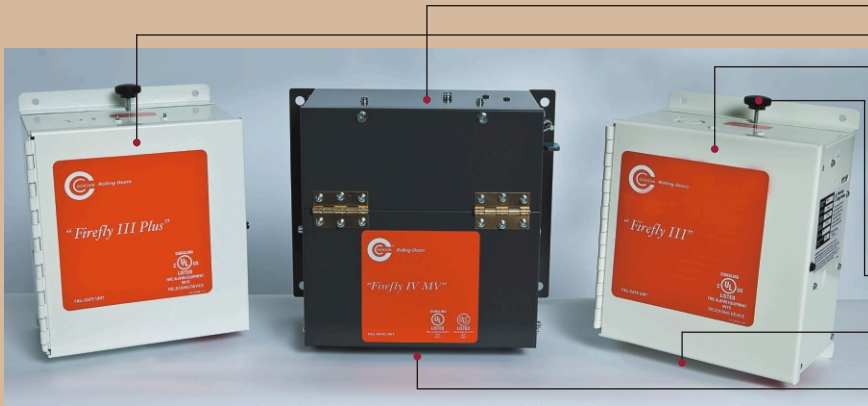
Dimensions shown are for initial design. For final design, specifications, and to view the complete Cookson Product line, visit cooksondoor.com



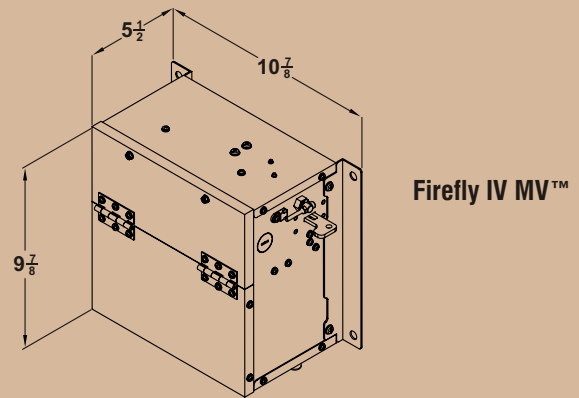
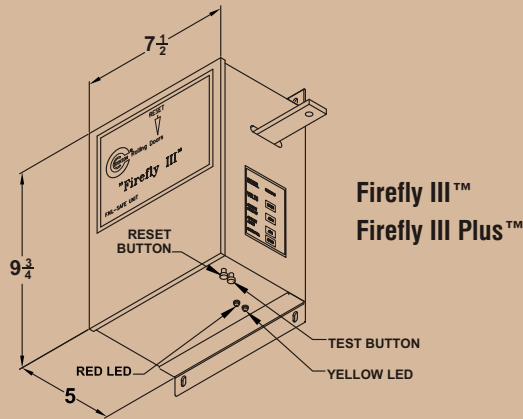
The Cookson Company, Inc.

THE PREFERRED

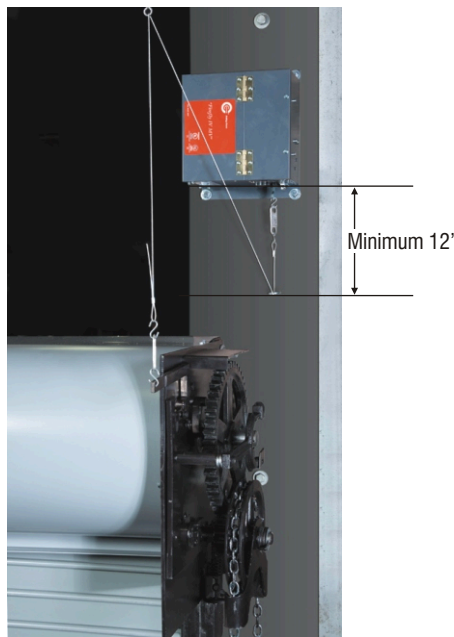
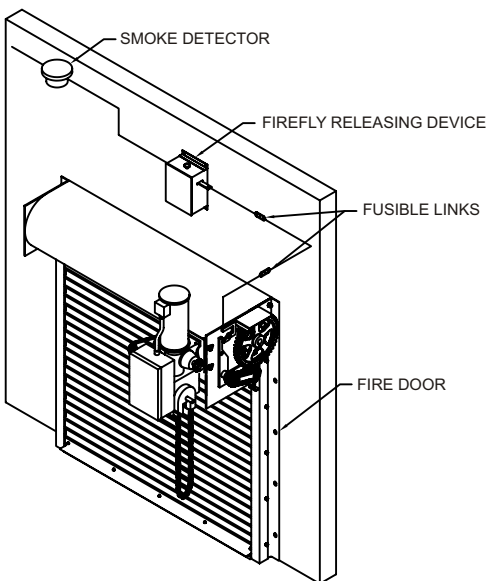
RELEASING DEVICE



- Firefly III™ - 24 VDC Power Required
- Firefly III Plus™ - Multi-voltage with integral battery back-up: 120 VAC, 24 VAC or 24 VDC Power Required
- Firefly IV MV™ - Multi-voltage: 115 AC, 24 VAC or 24 VDC Power Required
- Mechanical Reset
- Indicator Lights are under the units.
- Test Button is under the units.



TYPICAL RELEASE DEVICE INSTALLATION



Alternate Mounting

Fire Fly III™ Release Device

Voltage:	24VDC
Stand By Current:	0.1A
Alarm Current:	0.15A
Battery:	Not Applicable

Fire Fly III Plus™ Release Device

Voltage:	120VAC	24VAC	24VDC
Stand By Current:	0.06A	0.3A	0.2A
Alarm Current:	0.06A	0.3A	0.25A
Battery:	12V 4.5 AHR		

Fire Fly IV™ Release Device

Voltage:	115VAC	24VAC	24VDC
Full Load:	1.1A	1.8A	1.8A
Stand By Current:	0.5A	0.5A	0.2A
Battery:	Not Applicable		



The Cookson Company, Inc.

© 2010

2417 S. 50th Avenue
Phoenix, AZ 85043

Phone: (800) 390-8590
FAX: (866) 448-6804

information@cooksondoor.com