

# OWNER'S MANUAL



## **Stationary Elevating Docks**

4,5,6,8,10,12,15, & 20,000 lb. Capacities

## **Semi-Portable Elevating Docks**

4, 5, & 6,000 lb. Capacities

**Model Nos. ED, RLD, Lomaster**



## TABLE OF CONTENTS

1. Receipt Inspection .....	6
2. Handling & Installation Diagrams.....	7
3. Maintenance Device Detail .....	8
4. Safety Information.....	9
4.1 Owner's Responsibilities .....	9
4.2 Operator's Responsibilities .....	9
4.3 Safety Procedures.....	10
5. Operating Instructions.....	12
6. Planned Maintenance .....	14
6.1 Lubrication Points.....	16
7. Parts Listings - Stationary Elevating Docks - 10" Lowered Height.....	18
7.1 General Assembly - 4,5 & 6,000 lb. Cap. - 96" Deck Length.....	18
7.2 General Assembly - 4 & 5,000 lb. Cap. - 108" Deck Length.....	22
7.2.1 Cylinder Assembly- 4 & 5,000 lb. Cap. - 108" Deck Length .....	25
7.3 General Assembly - 6,000 lb. Cap. - 108" Deck Length .....	26
7.3.1 Cylinder Assembly- 6,000 lb. Cap. - 108" Deck Length.....	29
7.4 General Assembly - 4,000 lb. Cap. - 120" Deck Length .....	30
7.4.1 Cylinder Assembly- 4 & 5,000 lb. Cap. - 108" Deck Length .....	33
7.5 General Assembly - 5 & 6,000 lb. Cap. - 120" Deck Length.....	34
7.5.1 Cylinder Assembly- 5 & 6,000 lb. Cap. - 120" Deck Length .....	37
7.6 General Assembly - 4,000 lb. Cap. - 144" Deck Length .....	38
7.6.1 Cylinder Assembly- 4,000 lb. Cap. - 144" Deck Length.....	41
7.7 General Assembly - 5 & 6,000 lb. Cap. - 144" Deck Length.....	42
7.7.1 Cylinder Assembly- 5 & 6,000 lb. Cap. - 144" Deck Length .....	45
8. Parts Listings - Stationary Elevating Docks - 14" Lowered Height.....	46
8.1 General Assembly - 4,5,6 & 8,000 lb. Cap. - 96" Deck Length.....	46
8.1.1 Cylinder Assembly- 4,5,6 & 8,000 lb. Cap. - 96" Deck Length .....	49
8.2 General Assembly - 4,5,6 & 8,000 lb. Cap. - 108" Deck Length.....	50
8.2.1 Cylinder Assembly- 4,5,6 & 8,000 lb. Cap. - 108" Deck Length .....	53
8.3 General Assembly - 4,5,6 & 8,000 lb. Cap. - 120" Deck Length.....	54
8.3.1 Cylinder Assembly- 4,5,6 & 8,000 lb. Cap. - 120" Deck Length .....	60
8.4 General Assembly - 4, 5 & 6,000 lb. Cap. - 144" Deck Length.....	62
8.4.1 Cylinder Assembly- 4,5, & 6,000 lb. Cap. - 144" Deck Length .....	65
8.5 General Assembly - 8,000 lb. Cap. - 144" Deck Length .....	66
8.5.1 Cylinder Assembly - 8,000 lb. Cap. - 144" Deck Length.....	69

8.6	General Assembly - 10,000 lb. Cap. - 96" Deck Length .....	70
8.6.1	Cylinder Assembly - 10,000 lb. Cap. - 96" Deck Length .....	73
8.7	General Assembly - 12,000 lb. Cap. - 96" Deck Length .....	74
8.7.1	Cylinder Assembly - 12,000 lb. Cap. - 96" Deck Length .....	77
8.8	General Assembly - 10 & 12,000 lb. Cap. - 108" Deck Length .....	78
8.8.1	Cylinder Assembly - 10 & 12,000 lb. Cap. - 108" Deck Length .....	81
8.9	General Assembly - 10 & 12,000 lb. Cap. - 120" Deck Length .....	82
8.9.1	Cylinder Assembly - 10 & 12,000 lb. Cap. - 120" Deck Length .....	85
8.10	General Assembly - 10 & 12,000 lb. Cap. - 144" Deck Length .....	86
8.10.1	Cylinder Assembly - 10 & 12,000 lb. Cap. - 144" Deck Length .....	89
9.	Parts Listings - Stationary Elevating Docks - 21" Lowered Height .....	90
9.1	General Assembly - 15 & 20,000 lb. Cap. - 96" Deck Length .....	90
9.1.1	Cylinder Assembly - 15 & 20,000 lb. Cap. - 96" Deck Length .....	93
9.2	General Assembly - 15 & 20,000 lb. Cap. - 108" Deck Length .....	94
9.2.1	Cylinder Assembly - 15 & 20,000 lb. Cap. - 108" Deck Length .....	97
9.3	General Assembly - 15 & 20,000 lb. Cap. - 120" Deck Length .....	98
9.3.1	Cylinder Assembly - 15 & 20,000 lb. Cap. - 120" Deck Length .....	101
9.4	General Assembly - 15 & 20,000 lb. Cap. - 144" Deck Length .....	102
9.4.1	Cylinder Assembly - 15 & 20,000 lb. Cap. - 108" Deck Length .....	105
10.	Parts Listings - Power Packs .....	106
10.1	Power Packs - 3 Horse Power .....	106
10.2	Parts Listings - Power Packs - 5 Horse Power .....	110
10.3	Parts Listings - Power Packs - 7.5 Horse Power .....	114
10.4	Parts Listings - Power Packs - 10 Horse Power .....	118
11.	Parts Listings - Semi-Portable Elevating Docks .....	122
11.1	General Assembly - 4, 5, & 6,000 lb. Cap. - 96" Deck Length .....	122
11.1.1	Leg Assembly - 4, 5, & 6,000 lb. Cap. - 72x96" Deck .....	124
11.1.2	Cylinder Assembly - 4, 5, & 6,000 lb. Cap. - 72x96" Deck Length .....	126
11.1.3	Crosshead Assembly - 4, 5, & 6,000 lb. Cap. - 72x96" Deck Length .....	128
11.2	General Assembly - 4, & 5,000 lb. Cap. - 72x120" Deck Length .....	130
11.2.1	Leg Assembly - 4, & 5,000 lb. Cap. - 72x120" Deck .....	132
11.2.2	Cylinder Assembly - 4, & 5,000 lb. Cap. - 72x120" Deck .....	134
11.2.3	Crosshead Assembly - 4, & 5,000 lb. Cap. - 72x120" Deck .....	136
11.3	General Assembly - 4, & 5,000 lb. Cap. - 84x96" Deck .....	138
11.3.1	Leg Assembly - 4, & 5,000 lb. Cap. - 84x96" Deck .....	140
11.3.2	Cylinder Assembly - 4, & 5,000 lb. Cap. - 84x96" Deck .....	142
11.3.3	Crosshead Assembly - 4, & 5,000 lb. Cap. - 84x96" Deck .....	144

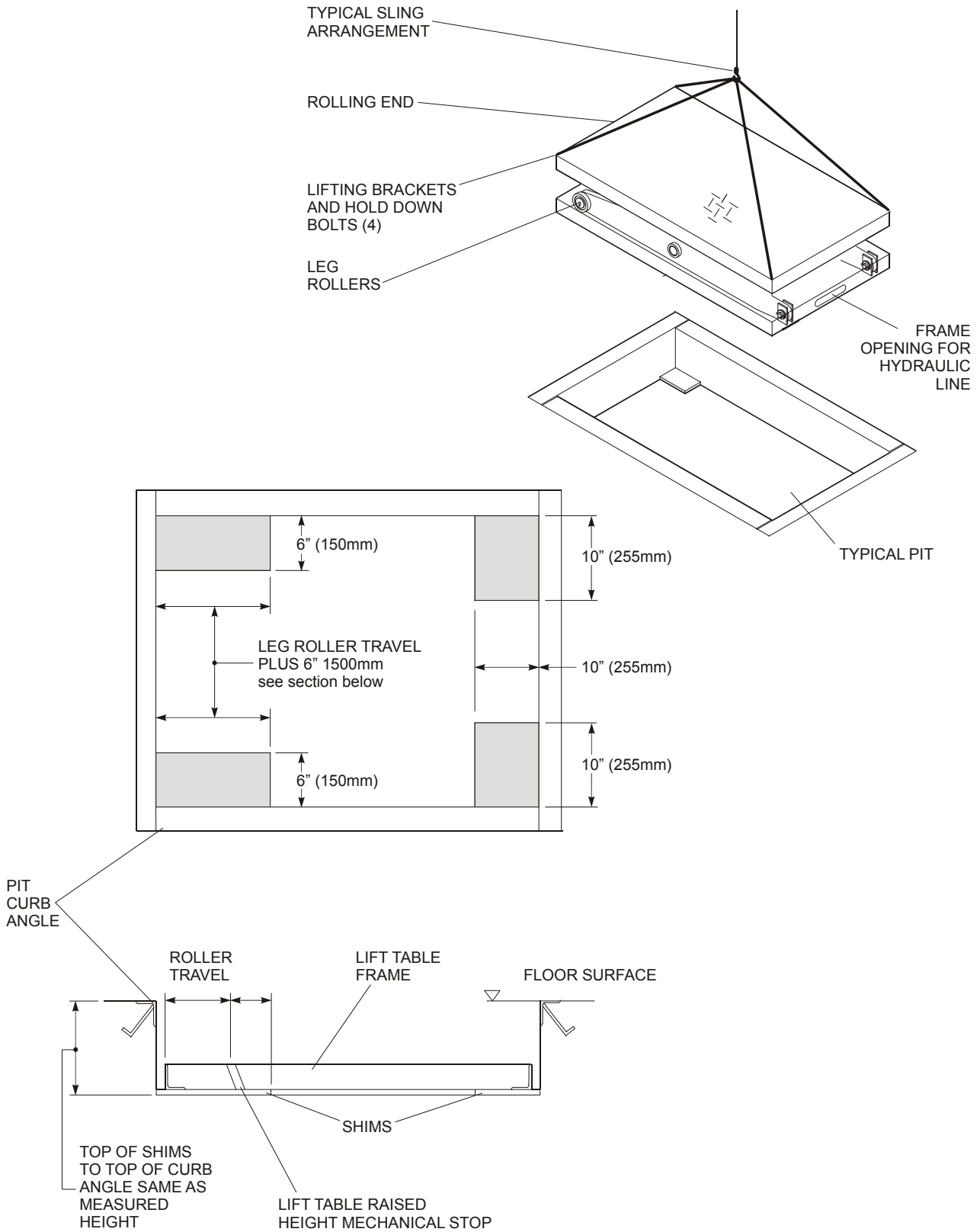
11.4	General Assembly - 4, & 5,000 lb. Cap. - 84x120" Deck.....	146
11.4.1	Leg Assembly - 4, & 5,000 lb. Cap. - 84x120" Deck.....	148
11.4.2	Cylinder Assembly - 4, & 5,000 lb. Cap. - 84x120" Deck.....	150
11.4.3	Crosshead Assembly - 4, & 5,000 lb. Cap. - 84x120" Deck.....	152
11.5	General Assembly - 4, & 5,000 lb. Cap. - 96x120" Deck.....	154
11.5.1	Leg Assembly - 4, & 5,000 lb. Cap. - 96x120" Deck.....	156
11.5.2	Cylinder Assembly - 4, & 5,000 lb. Cap. - 96x120" Deck.....	158
11.5.3	Cylinder Assembly - 4, & 5,000 lb. Cap. - 96x120" Deck.....	159
11.5.4	Crosshead Assembly - 4, & 5,000 lb. Cap. - 96x120" Deck.....	160
11.5.5	Crosshead Assembly - 4, & 5,000 lb. Cap. - 96x120" Deck.....	161
12.	Schematics & Wiring Diagrams.....	162
12.1	Wiring Diagram-5,7.5,&10 H.P. Power Packs - 230V/1Ø/60Hz.....	162
12.2	Electrical Schematic-5,7.5,&10 H.P. Power Packs - 230V/1Ø/60Hz.....	163
12.3	Wiring Diagram-5,7.5,&10 H.P. Power Packs - 208-575V/3Ø/60Hz.....	164
12.4	Electrical Schematic-5,7.5,&10 H.P. Power Packs - 208-575V/3Ø/60Hz.....	165
12.5	Wiring Diagram-5-10 H.P. Power Packs - w/Safety Trip Switches.....	166
12.6	Electrical Schematic - 5-10 H.P. Power Packs - w/Safety Trip Switches.....	167
12.7	Wiring Diagram-5-10 H.P. Power Packs - w/Up-Limit Switch.....	168
12.8	Electrical Schematic - 5-10 H.P. Power Packs - w/Up-Limit Switch.....	169
12.9	Electrical Schematic - 5-10 H.P. Power Packs - w/Up-Limit Switch.....	171
13.	Service / Maintenance History.....	172

**IMPORTANT: Read and understand the contents of this manual before operating the equipment.**

## **1. Receipt Inspection**

This equipment was thoroughly inspected prior to leaving the factory. Before placing the equipment in service, it should be thoroughly checked for damage or loss occurring in transit. If any such damage or loss is evident, a claim must be made against the carrier.

**2. Handling & Installation Diagrams**



**Figure 1 : Elevating Dock Handling and Installation**

### 3. Maintenance Device Detail

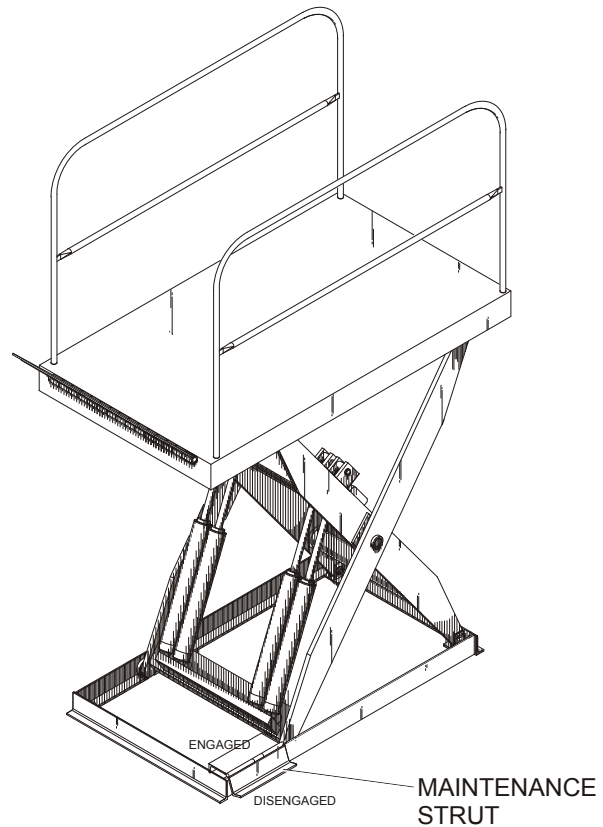


Figure 2 : Maintenance Device Placement

*Note: All Stationary Elevating Docks come equipped with a Maintenance Strut as shown in Figure 2. If a Safety Device is not self-contained provided then other means need to make unit safe for maintenance and repairs. An Optional Safety Stand (Part #796-710) is available for use with Semi-Portable Elevating Docks (See Figure 3)*

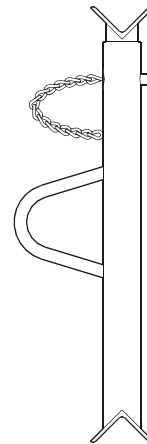


Figure 3 : Maintenance Device - Semi Portables



## **4. Safety Information**

### **4.1 Owner's Responsibilities**

**Owner's responsibilities include the following:**

- 1. Inspection and maintenance**  
The elevating dock shall be inspected and maintained in proper working order in accordance with manufacturer's operating/maintenance manual and safe operating practice.
- 2. Removal from service**  
Any elevating dock not in safe operating condition shall be removed from service until it is repaired to original manufacturer's standards.
- 3. Repairs**  
All repairs shall be made by authorized personnel in conformance with manufacturer's instructions.
- 4. Modifications and alterations**  
Modifications or alterations of industrial scissor lifts shall be made only with written permission of original manufacturer. These changes shall also satisfy all safety recommendations of original equipment manufacturer for particular application of the elevating dock.

### **4.2 Operator's Responsibilities**

*Only trained and authorized personnel shall be permitted to operate the elevating dock.*

**Operator's responsibilities include the following:**

- 1.** Read and understand safety/operation information contained herein, or be trained by a qualified person.
- 2.** It is responsibility of operator to be certain that no unsafe conditions exist before using this equipment. Before operating this equipment, inspect it for proper operation and condition. If any unsafe condition exists, remove the elevating dock from service until repairs are made.
- 3.** The elevating dock shall be used in accordance with its intended use and with in manufacturer's limitations and safety rules.
- 4.** Do not exceed rated capacity as indicated on name plates.
- 5.** Ensure that all safety devices are operational and in place.

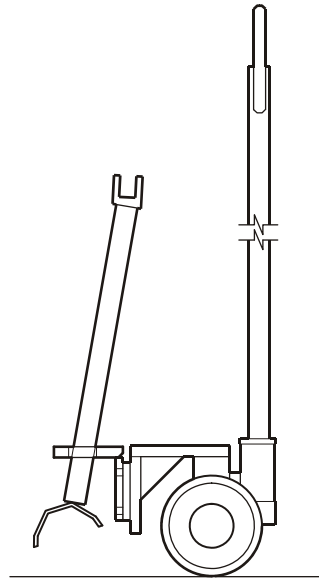
### 4.3 Safety Procedures



#### **WARNING!**

1. Do NOT operate the elevating dock table or elevating dock unless you have training and authorization.
2. Read, understand and follow these instructions, the hazard warnings on the elevating dock and the warnings/instructions contained in this manual.
3. NEVER go under the elevating dock unless the maintenance device is engaged in accordance with the manufacturers instructions.
4. Prior to using the elevating dock:
  - *Verify that all safety devices supplied with the elevating dock (e.g. guard rails, restraint chains, toe guards and warning bells, if so equipped), are in place and functioning properly.*
  - *Operate the elevating dock through one complete lift/lower cycle and verify its proper operation. At the same time, inspect the unit for any visible or obvious damage. If there is any damage or unusual vibration or noise, remove the unit from service using approved lockout procedures. Notify maintenance personnel immediately.*
5. Do not exceed the units capacity as stated on the nameplate and center loads on the unit. Be aware that the unit may have reduced capacity when loads are rolled over the platform sides or ends. Refer to the nameplate for reduced capacity under these conditions.
6. If load(s) is mobile, secure the load in a fixed position before operating the unit.
7. Prior to operating the unit, ensure that all personnel on or near the unit are aware of its imminent operation, and that no person will be in harms way during its operation.
8. Ensure that objects are clear of the areas beneath or above the platform, and immediately surrounding the perimeter of the unit, while it is in use.
9. Keep area around the unit free of oil, objects and debris that could cause slippage or stumbling into or under the unit.
10. If the unit is equipped with a hinged bridge(s), the bridge must overlap the truck bed a minimum of 4" (100mm) before use. Do NOT use the bridge if it is solely supported by its lifting chain.

11. If maintenance or service is required:
  - *Only authorized service personnel shall provide maintenance/service on the unit.*
  - *Follow approved lock out procedures.*
  - *Do NOT work on or under the unit.*
  - *The unit shall NOT be modified or altered without the written permission of the manufacturer.*
  
12. When re-locating a Semi-Portable Elevating Dock always use the portable dolly (Part #326-5039) provided (See Figure 4). Center the dolly at the torque bar (opposite the rolling end), lower the deck until it firmly engages with the upper portion of the dolly lift arm.



**Figure 4 : Portable Dolly**

## 5. Operating Instructions

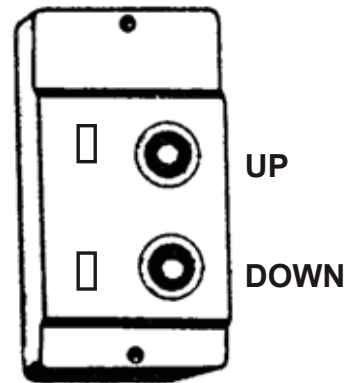


Figure 5 : Typical Push Button Control Station

*Note: Manual Reset on Three Phase Only.*

1. Read and understand these instructions and safety rules before operating lift.
2. Before using lift, inspect it for proper operation and condition. If any unsafe condition exists, remove unit from service until repairs are made.
3. Before using unit, inspect all safety devices, such as guard rails, snap chains and toe guards to be certain that they are in place and functioning properly.
4. If lift is controlled from a push button station. Station is equipped with constant pressure type buttons labeled with arrows that indicate direction of movement. Pressing and holding “↑” button will cause unit to rise, pressing and holding “↓” button will cause unit to lower. Releasing either button will stop movement of lift.



**WARNING! : DO NOT EXCEED CAPACITY OF THE UNIT.**

5. Prior to placing a load on lift, read and understand unit capacity as labeled on serial number plate. Plate can be found riveted to side of deck assembly. Understand that capacity of lift is expressed as **maximum uniformly distributed load** unit is rated to carry. Unit capacity is down rated for rolling loads or loads concentrated on end(s) or side(s). These down rated capacities can also be found on serial number plate.



**WARNING! : TO AVOID BODILY INJURY, STAND CLEAR WHILE THE UNIT IS MOVING.**

6. Loading / unloading unit:
  - a) If loading/unloading a truck or other mobile vehicle, ensure brakes are set and wheels chocked before proceeding.
  - b) Center load on lift platform.
  - c) If load is mobile (ie: carts, pallet truck, forklift) set brakes and/or lower load onto platform surface to minimize potential load shift.
  - d) Ensure snap chain(s) are securely in position. If unit is equipped with a hinge bridge it must be stored in upright position and secured by safety chain(s).
  - e) Using push button station, raise unit so that platform is level or slightly above truck bed.



**DANGER! : ENSURE THAT PEOPLE AND OBJECTS ARE CLEAR OF AREAS BENEATH PLATFORM AND IMMEDIATELY SURROUNDING PERIMETER OF UNIT WHILE IT IS IN MOTION.**

- f) Lower hinged bridge (if equipped) onto truck bed. Ensure that truck bed and bridge overlap by a minimum of 4" (100mm). If overlap is less than 4" (100mm) reposition truck to achieve this minimum overlap. (if overlap still cannot be achieved, contact your Blue Giant representative as a longer bridge may be required). Secure bridge in place with safety chain(s).

*NOTE: Bridge safety chain must remain slack to Ensure positive contact with vehicle loaded at all times.*



**WARNING! : DO NOT STAND ON OR APPLY WEIGHT TO HINGED BRIDGE UNLESS IT IS SUPPORTED BY A MINIMUM OF 4" (100MM) OF OVERLAP. NEVER ATTEMPT TO STAND OR APPLY WEIGHT TO HINGED BRIDGE IF SUPPORTED SOLELY BY SNAP CHAINS**

- g) Proceed to transfer load.
7. To lower lift, repeat sequence (b) through (e) using "↑" button instead of "↓" button in step (e).

## 6. Planned Maintenance



**WARNING! : DO NOT WORK BENEATH A RAISED DOCK LIFT WITHOUT ENGAGING A MAINTENANCE DEVICE (See Section 3 : Maintenance Device Detail, Figure 2)**



**WARNING! : ENSURE THAT THE POWER SUPPLY TO CONTROL BOX IS TURNED "OFF" AND LOCKED OUT AS REQUIRED TO ASSURE THAT ELECTRICAL POWER CANNOT BE TURNED "ON" UNEXPECTEDLY.**



**WARNING! : FAILURE TO FOLLOW THESE WARNINGS COULD RESULT IN SERIOUS INJURY OR DEATH.**

Spotting trouble before it happens can prevent costly downtime and extensive repairs and make it possible for service and repairs to be performed when unit is not required for regular operation.

Once a month inspect and lubricate-mechanical, hydraulic and electrical components as outlined below. More frequent inspections are necessary for adverse conditions such as temperature extremes, dirty environment, etc.

### **Electrical System:**

Periodically check for wire and cable damage. Keep water and ice away from power pack.

### **Mechanical System:**

1. Make a safety inspection of complete unit. Check for visible damage or misalignment. Check for excessive wear of all moving parts. Inspect upper limit mechanical stops for damage. Repair if necessary.
2. Lubrication:  
All bearings and bushings are sealed or self-lubricating. However, points shown in *Section 7: Planned Maintenance, Figures 3 & 4* should be oiled once a month with SAE 30 motor oil.
3. Upper limit switches and safety trip bar switches, if so equipped, must be operating.

### **Hydraulic System:**

1. Hydraulic fluid level should be kept to 2" (50mm) above the tank suction fitting with the deck in the fully raised position.
2. Use only approved quality hydraulic fluid. For normal room temperature following oil is recommended: ISO 32 grade oil.

3. Change hydraulic fluid three months after equipment is placed in service and check every twelve months thereafter (more frequently for adverse conditions such as moisture, lower temperature or dusty atmosphere).
4. Leaking or damaged hoses and fittings should be repaired or replaced immediately to prevent loss of fluid and possible damage to hydraulic pump.
5. For safety reasons, the pressure relief valve is factory set. It is set so that unit will lift the rated capacity, but will not lift a load 10% greater. Its function should be checked at least once a year.

6.1 Lubrication Points

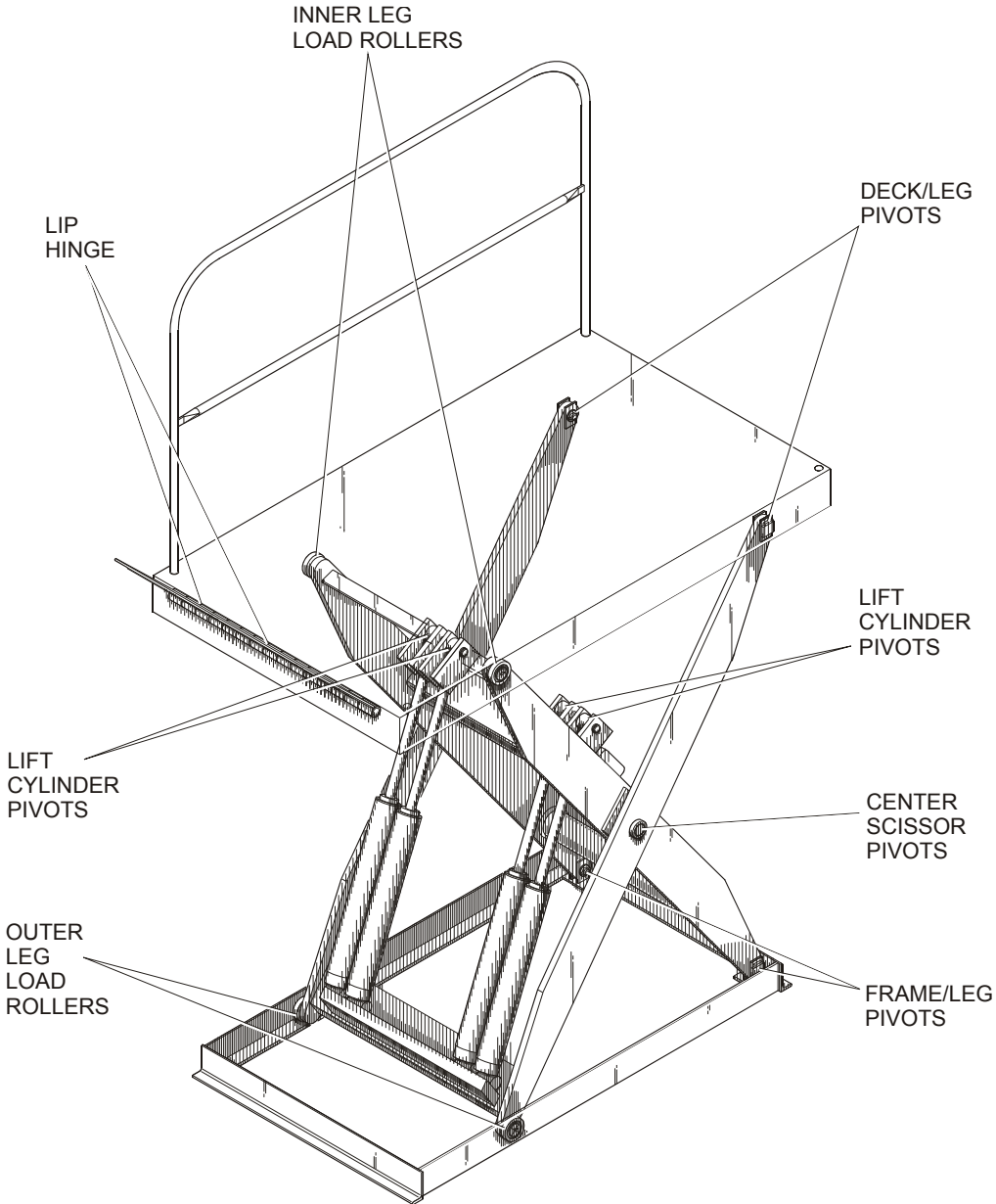


Figure 6 : Lubrication Points - Stationary Elevating Dock



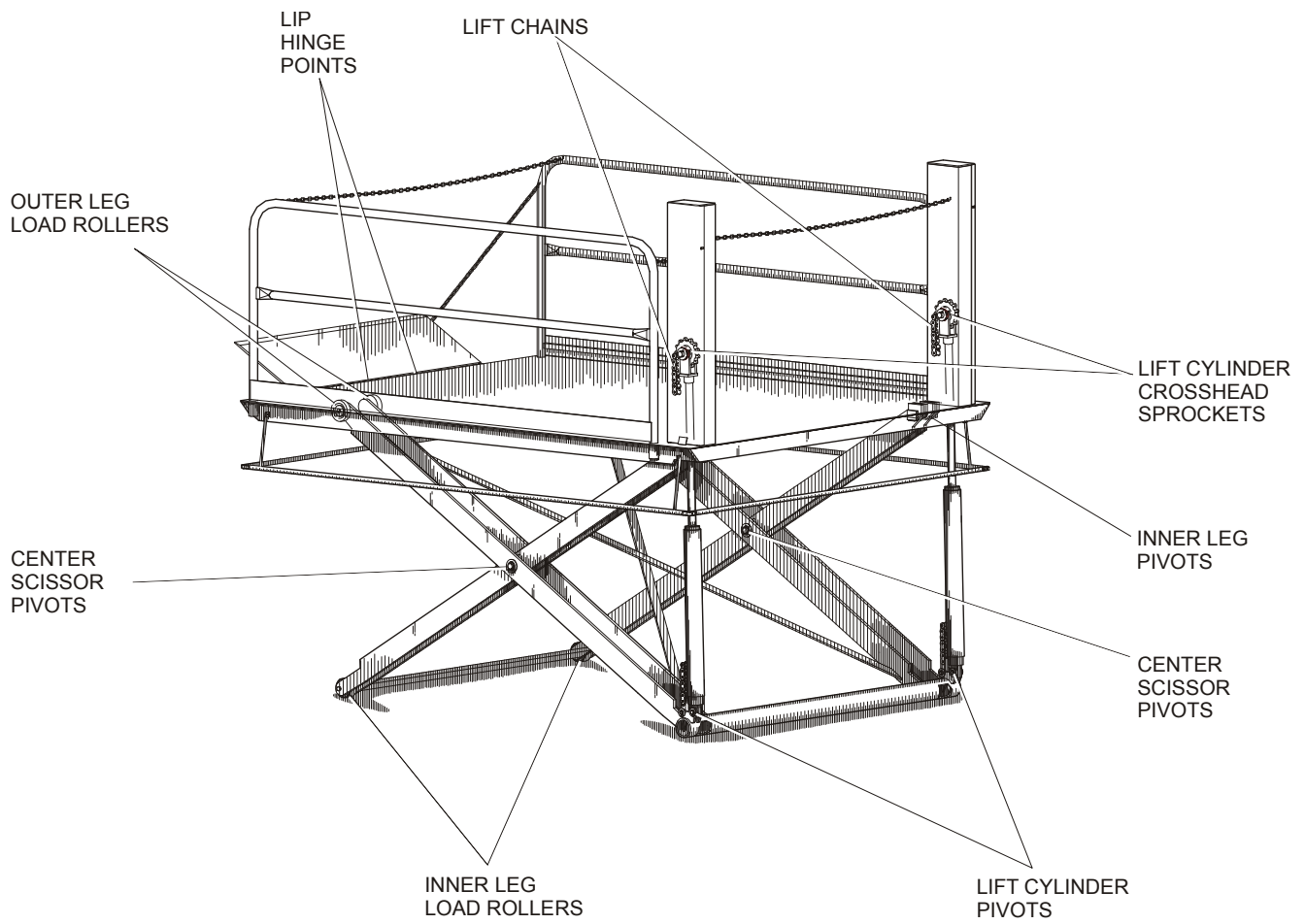


Figure 7 : Lubrication Points - Semi-Portable Elevating Dock

**7. Parts Listings - Stationary Elevating Docks - 10" Lowered Height**

**7.1 General Assembly - 4,5 & 6,000 lb. Cap. - 96" Deck Length**

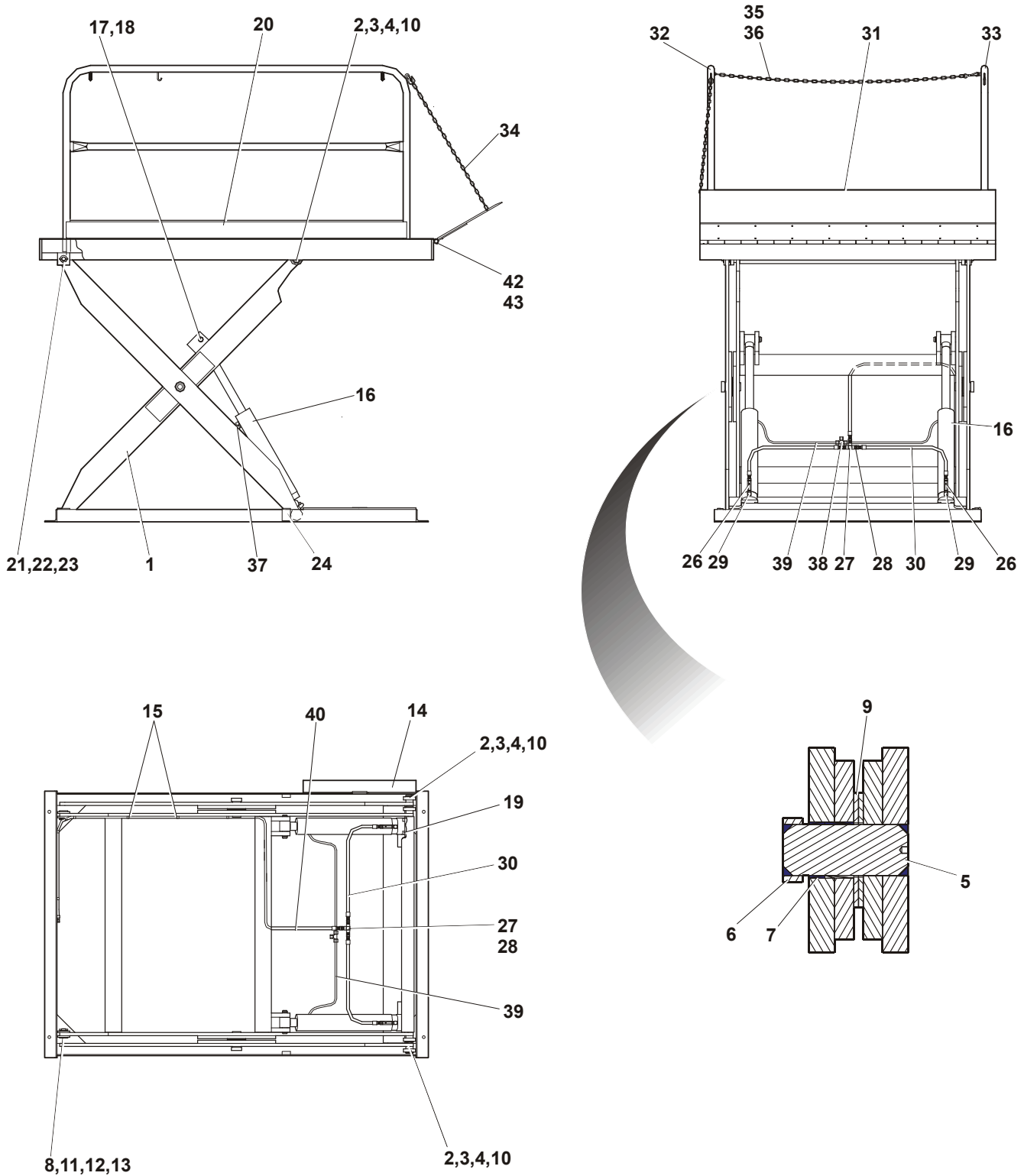


Figure 8 : General Assembly - 4,5,& 6,000 lb. - 96" Deck Length

**General Assembly - 4,5 & 6,000 lb. Cap. - 96" Deck Length**

Item	Qty	Part No	General Description	Specific Description
			<b>General Assembly 4,5,6 - 96" Deck Length</b>	<b>310-5423</b>
				<b>10" Lowered Height</b>
1*	1	313-5218-2	Frame And Leg Weldment	4,000/60X96"
1*	1	313-5218-3	Frame And Leg Weldment	4,000/72,84X96"
1*	1	313-5218-4	Frame And Leg Weldment	4,000/96X96"
1*	1	313-5219-2	Frame And Leg Weldment	5,000/60X96"
1*	1	313-5219-3	Frame And Leg Weldment	5,000/72,84X96"
1*	1	313-5219-4	Frame And Leg Weldment	5,000/96X96"
1*	1	313-5220-2	Frame And Leg Weldment	6,000/60X96"
1*	1	313-5220-3	Frame And Leg Weldment	6,000/72.84X96"
1*	1	313-5220-4	Frame And Leg Weldment	6,000/96X96"
2	4	019-022	Bearing, 80x40x18mm	4,&5,000/96"
2	2	019-001	Bearing, 80x40x18mm	6,000/96"
3	4	011-066	Capscrew, Hex Sckt F/H-5/16"-18x3/4"	4,5,&6,000/96"
4	2	013-005	Spring Pin 5/32"x1"Lg	4,&5,000/96"
5	2	313-0024	Leg Centre Pin	4,000/96"
5	2	114-651	Leg Centre Pin 1" Thk Leg (4-7/8" Lg)	5,&6,000/96"
6	2	114-606	Collar - 2" (Centre Pin Mod Ed)	4,5,&6,000/96"
7	2	018-032	Bushing - 2"IDx1-1/2"LG	4,000/96"
7	2	018-033	Bushing - 2" IDx1-3/4"LG	5,&6,000/96"
8	4	018-051	Bushing - 1"IDx3/4"LG	4,000/96"
8	4	018-061	Bushing - 1"IDx1"LG	5,&6,000/96"
9	2	012-219	Washer, Flat 2.13" IDx4.5"ODx0.187" THK	4,5,&6,000/96"
10	4	121-684	Ring-Spacer (1-7/8" O.D)	4,&5,000/96"
11	2	798-048	Pin Ass'y (3/4" Thick Legs)	4,000/96"
11	2	798-043	Pin Ass'y (1" Thick Legs)	5,&6,000/96"
12	2	013-012	Spring Pin - 1/4" X 2	4,&5,000/96"
13	6	105-879	Washer, 3/4"ODx1-3/16"IDx1/16"THK	4,&5,000/96"
14	1	822-440	Strut Weldment, Maintenance	4,&5,000/96"
15	8	035-262	Strap (#6 Hose Clamp)	4,&5,000/96"
16	2	832-157	Cylinder Ass'y (3-1/2"Dia) [19 1/2" Stroke]	4,5,&6,000/96"
17	2	114-993	Pin-Cylinder Pivot	4,5,&6,000/96"
17	2	311-0003	Pin, Cylinder Pivot	4,000/72X96"
17	2	311-0003	Pin, Cylinder Pivot	6,000/84X96"
18	4	013-036	Retaining Ring Ext. 1-1/4"ID	4,5,&6,000/96"
19	4	104-476	Lip Stop (3/4"X5/8")	4,5,&6,000/96"
20	1	312-5260-2	Deck Assembly S2 4,&5,000/60x96	4,&5,000/60X96"
20	1	312-5260-3	Deck Assembly S2 4,&5,000/72x96	4,&5,000/72X96"
20	1	312-5260-4	Deck Assembly S2 4,&5,000/84x96	4,&5,000/84X96"
20	1	312-5260-5	Deck Assembly S2 4,&5,000/96x96	4,&5,000/96X96"
20	1	312-5260-7	Deck Assembly S2 6,000/60x96	6,000/60x96"
20	1	312-5260-8	Deck Assembly S2 6,000/72x96	6,000/72x96"
20	1	312-5260-9	Deck Assembly S2 6,000/84x96	6,000/84x96"
20	1	312-5260-10	Deck Assembly S2 6,000/96x96	6,000/96x96"
20	1	312-5253-2	Deck Assembly S3 (Taprd) 4,&5,000/60X96	4,&5,000/60X96"
20	1	312-5253-3	Deck Assembly S3 (Taprd) 4,&5,000/72X96	4,&5,000/72X96"
20	1	312-5253-4	Deck Assembly S3 (Taprd) 4,&5,000/84X96	4,&5,000/84X96"
20	1	312-5253-5	Deck Assembly S3 (Taprd) 4,&5,000/96X96	4,&5,000/96X96"
20	1	312-5253-7	Deck Assembly S3 (Tapered) 6,000/60X96	6,000/60X96"
20	1	312-5253-8	Deck Assembly S3 (Tapered) 6,000/72X96	6,000/72X96"
20	1	312-5253-9	Deck Assembly S3 (Tapered) 6,000/84X96	6,000/84X96"
20	1	312-5253-10	Deck Assembly S3 (Tapered) 6,000/96X96	6,000/96X96"
21	2	798-048	Pin Ass'y (3/4" Thick Legs)	4,000/96"
21	2	798-043	Pin Ass'y (1" Thick Legs)	5,&6,000/96"
22	6	106-389	Spacer Washer - 1-3/4"ODx1"IDx1/16"thk	4,5,&6,000/96"
23	2	013-012	Spring Pin - 1/4" X 2"	4,5,&6,000/96"

\* - INDENTED SUB-ASSEMBLY – SHOWN ON SAME PAGE

\*\* - SUBASSEMBLY - SHOWN ON SEPARATE PAGE

Continued...

General Assembly - 4,5 & 6,000 lb. Cap. - 96" Deck Length

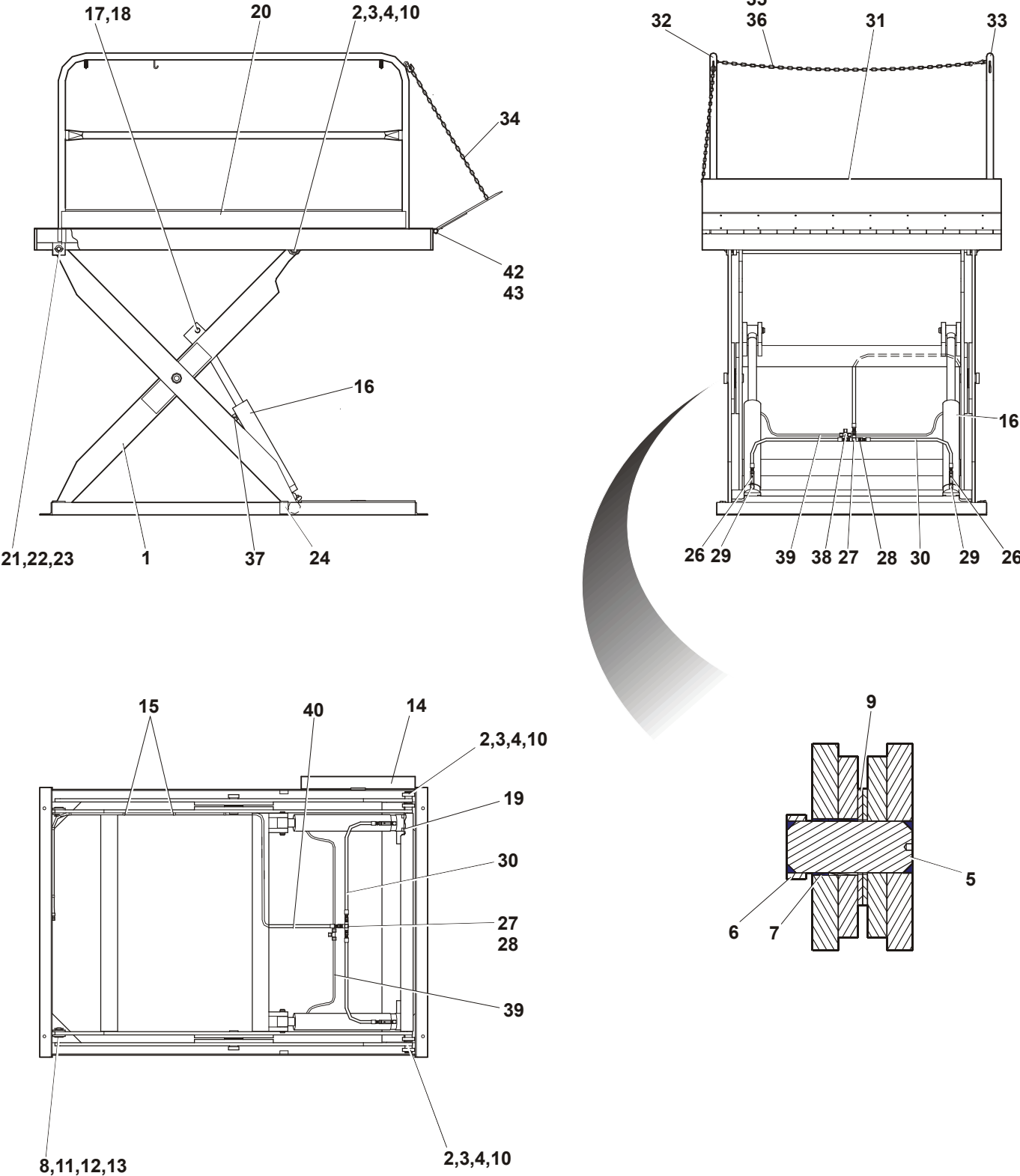


Figure 4: General Assembly - 4,5, & 6,000 - 96" Deck Length

**General Assembly - 4,5,6,000 & 8,000 lb. Cap. - 96" Deck Length**

Item	Qty	Part No	General Description	Specific Description
24	2	117-005	Roller Stop	4,5,&6,000"
25	1	039-066	Paint, Blue (Fast Dry Enamel)	4,5,&6,000/96"
26	2	033-549	Velocity Fuse 9.0 GPM	4,000/60,72X96"
26	2	033-549	Velocity Fuse 9.0 GPM	5,&6,000/60,84X96"
26	2	033-661	Velocity Fuse 5 GPM	4,000/84X96"
26	2	033-663	Velocity Fuse 7.5 GPM	5,000/72-96X96"
26	2	033-663	Velocity Fuse 7.5 GPM	6,000/60,72,84X96"
26	2	033-661	Velocity Fuse 5 GPM	4,000/60X96"
27	1	034-571	Fitting, Tee 022T-6-6	4,5,&6,000/96"
28	2	034-504	Adapter, Fitting 0103-6-6	4,5,&6,000/96"
29	2	034-599	Fitting Elbow Forged #6MP-4MP-90°	4,5,&6,000/96"
30	2	300-5000-12	Hose, #6 Hp(20"Lg) Str. Swivel(2)	4,5,000/60X96"
30	2	300-5000-14	Hose, #6 Hp(25"Lg) Str. Swivel(2)	4,000/72X96"
30	2	100-5004-1	Hose, #6 Hp(24"Lg)	4,000/84,96X96"
30	2	100-5004-1	Hose, #6 Hp(24"Lg)	5,000/72X96"
30	2	300-5000-14	Hose, #6 Hp(25"Lg) Str. Swivel(2)	5,6,000/84X96"
30	2	100-5004-1	Hose, #6 Hp(24"Lg)	5,000/96X96"
30	2	100-5004-1	Hose, #6 Hp(24"Lg)	6,000/60,96X96"
30	2	100-5004-1	Hose, #6 Hp(24"Lg)	4,000/60X96"
31	1	302-5002	Lip Assy,60"(18"Lg,4&5#)1pc Lp	4,&5,000/96"
31	1	302-5002-7	Lip Assy,60"(18"Lg,4&5#)1pc Lp	6,000/60X96"
32	1	312-5080-4	Guard Rail, Right Side 96"Deck	4,5,&6,000/96"
33	1	312-5081-4	Guard Rail, Left Side 96"Deck	4,5,&6,000/96"
34	1	091-023-0600	Chain (60"Lg) [3/16"Proof Coil Galvanized]	4,5,&6,000/96"
35	2	091-023-0540	Chain (54"Lg) 3/16"Proof Coil Galvanized	4,5,&6,000/60X96"
35	2	091-023-0660	Chain (66"Lg) 3/16"Proof Coil Galvanized	4,5,&6,000/72X96"
35	2	091-023-0780	Chain (78"Lg) 3/16"Proof Coil Galvanized	4,5,&6,000/84X96"
35	2	091-023-0900	Chain (90"Lg) 3/16"Proof Coil Galvanized	4,5,&6,000/96X96"
36	2	R3-19203	Hook Snap 4"Lg - 7/16"-20	4,5,&6,000/96"
37	3	034-674	Fitting - 1/4" M X 3/8" Comp	4,5,&6,000/96"
38	1	034-673	Fitting Nylon Tee - (3/8" Comp)	4,5,&6,000/96"
39	2	091-000-0200	Tubing Black Nylon (3/8"X20"LG)	4,5,&6,000/60X96"
39	2	091-000-0320	Tubing Black Nylon (3/8"X32"LG)	4,6,000/72X96"
39	2	091-000-0440	Tubing Black Nylon (3/8"X44"LG)	4,5,&6,000/84X96"
39	2	091-000-0560	Tubing Black Nylon (3/8"X56"LG)	4,5,&6,000/96X96"
39	2	091-000-0520	Tubing Black Nylon (3/8"X52"LG)	5,000/72X96"
40	1	300-5001-35	Hose, #8 Hp (132"Lg) Str.Swivel(2)	4,5,000/60X96"
40	1	300-5001-38	Hose, #8 Hp (144"Lg) Str.Swivel(2)	4,5,000/72X96"
40	1	100-5008-10	Hose, #8 Hp (144"Lg) Str.Swivel(2)	4,000/84X96"
40	1	100-5008-11	Hose, #8 Hp (192"Lg) Str.Swivel(2)	4,5,&6,000/96X96"
40	1	300-5001-38	Hose, #8 Hp (144"Lg) Str.Swivel(2)	5,6,000/84X96"
40	1	100-5008-8	Hose, #8 MP (120"Lg)	6,000/60X96"
40	1	100-5008-9	Hose, #8 MP (144"Lg)	6,000/72X96"
40	1	100-5008-8	Hose, #8 MP (120"Lg)	4,000/60X96"
41	1	091-000-2400	Tubing Black Nylon (3/8"X240")	4,5,&6,000/60X96"
41	1	091-000-2880	Tubing Black Nylon (3/8"X288")	4,5,&6,000/72X96"
41	1	091-000-3360	Tubing Black Nylon (3/8"X336")	4,5,&6,000/84X96"
41	1	091-000-3840	Tubing Black Nylon (3/8"X384")	4,5,&6,000/96X96"
42	1	121-616-1	Bar, Lip Hinge	4,5,&6,000/96"
43	2	013-005	Pin, Spring	4,5,&6,000/96"

7.2 General Assembly - 4 & 5,000 lb. Cap. - 108" Deck Length

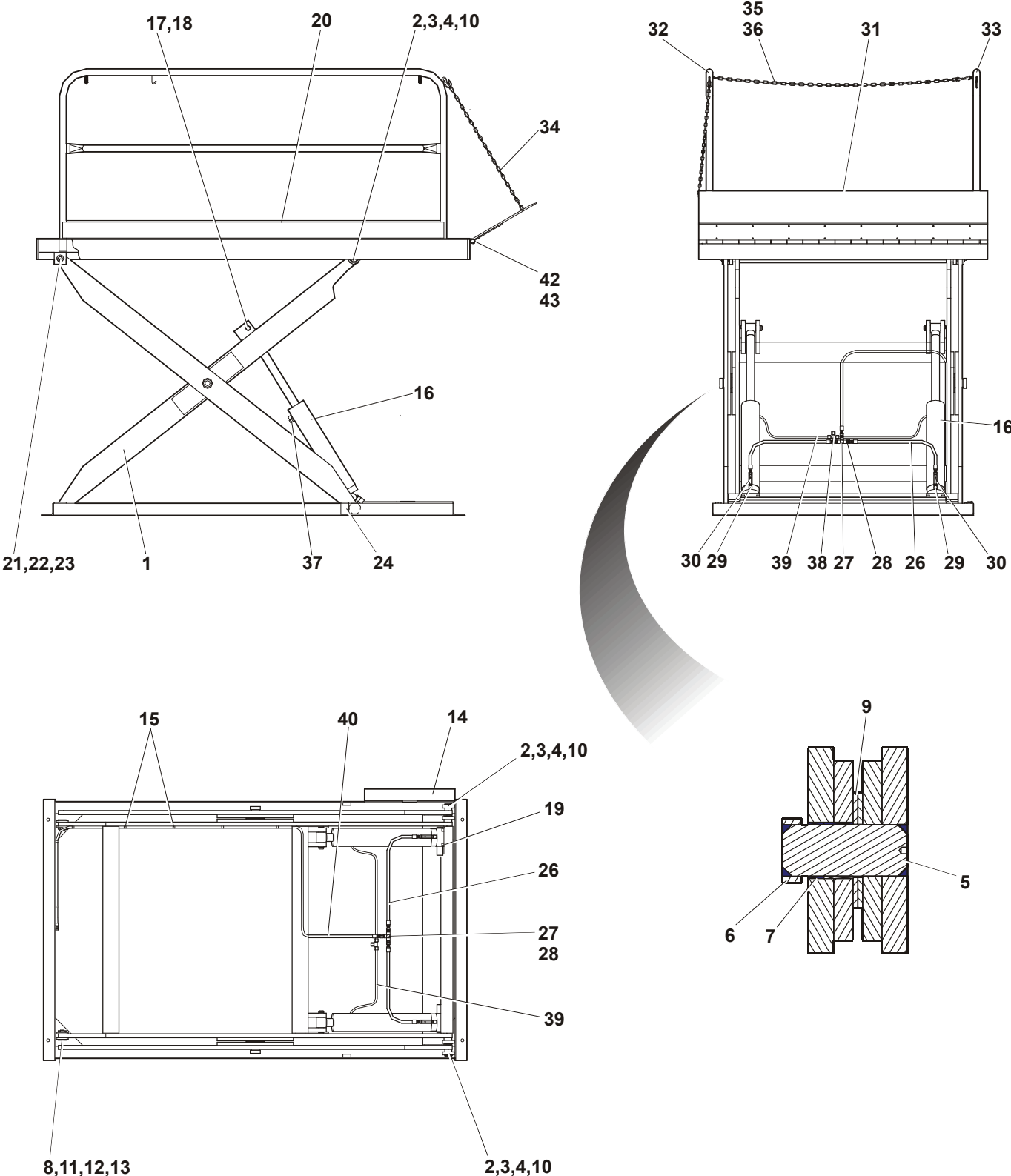


Figure 9 : General Assembly - 4, & 5,000 - 108" Deck Length

**General Assembly - 4 & 5,000 lb. Cap. - 108" Deck Length**

Item	Qty	Part No	General Description	Specific Description 10" Lowered Height
			<b>General Assembly 4,5,000 - 108" Deck Length</b>	<b>REF.DRG.310-5424</b>
<b>1*</b>	<b>1</b>	<b>313-5221-2</b>	<b>Frame And Leg Weldment</b>	<b>4,5,000/60x108"</b>
<b>1*</b>	<b>1</b>	<b>313-5221-3</b>	<b>Frame And Leg Weldment</b>	<b>4,5/72,84x108"</b>
<b>1*</b>	<b>1</b>	<b>313-5221-4</b>	<b>Frame And Leg Weldment</b>	<b>4,5/96x108"</b>
2	4	019-022	Bearing, 80x40x18mm	4,5,000/108"
3	4	011-066	Capscrew, Hex Skt F/H - 5/16"-18 X 3/4"	4,5,000/108"
4	2	013-005	Spring Pin 5/32"x1"Lg	4,5,000/108"
5	2	114-651	Leg Centre Pin 1" Thk Leg (4-7/8" Lg)	4,5,000/108"
6	2	114-606	Collar - 2" (Centre Pin Mod Ed)	4,5,000/108"
7	2	018-033	Bushing - 2" IDx1-3/4"LG	4,5,000/108"
8	4	018-051	Bushing - 1"IDx3/4"LG	4,5,000/108"
8	4	018-061	Bushing - 1"IDx1"LG	4,5,000/108"
9	2	012-219	Washer,Flt-2.13" IDx4.5"ODx0.187" THK	4,5,000/108"
10	4	121-684	Ring-Spacer (1-7/8" O.D)	4,5,000/108"
11	2	798-043	Pin Ass'y (1" Thick Legs)	4,5,000/108"
12	2	013-012	Spring Pin - 1/4" X 2	4,5,000/108"
13	6	105-879	Washer, 3/4"ODx1-3/16"IDx1/16"THK	4,5,000/108"
14	1	822-440	Strut Weldment, Maintenance	4,5,000/108"
15	8	035-262	Strap (#6 Hose Clamp)	4,5,000/108"
<b>16**</b>	<b>2</b>	<b>780-142-204</b>	<b>Cylinder Ass'y (4"Dia) [20-1/2" Stroke]</b>	<b>4,5,000/108"</b>
17	2	114-993	Pin-Cylinder Pivot	4,5,000/108"
18	4	013-036	Retaining Ring Ext. 1-1/4"ID	4,5,000/108"
19	4	104-476	Lip Stop (3/4"X5/8")	4,5,000/108"
20	1	312-5261-2	Deck Assembly S2 4-5,000/60x108	4,5,000/60x108"
20	1	312-5261-3	Deck Assembly S2 4-5,000/72x108	4,5,000/72x108"
20	1	312-5261-4	Deck Assembly S2 4-5,000/84x108	4,5,000/84x108"
20	1	312-5261-5	Deck Assembly S2 4-5,000/108x108	4,5,000/96x108"
20	1	312-5257-2	Deck Assembly S3 (Tapered) 4-5/60x108	4,5,000/60x108"
20	1	312-5257-3	Deck Assembly S3 (Tapered) 4-5/72x108	4,5,000/72x108"
20	1	312-5257-4	Deck Assembly S3 (Tapered) 4-5/84x108	4,5,000/84x108"
20	1	312-5257-5	Deck Assembly S3 (Tapered) 4-5/96x108	4,5,000/96x108"
21	2	798-043	Pin Ass'y (1" Thick Legs)	4,5,000/108"
22	6	106-389	Spacer Washer - 1-3/4"ODx1"IDx1/16"thk	4,5,000/108"
23	2	013-012	Spring Pin - 1/4" X 2"	4,5,000/108"
24	2	117-005	Roller Stop	4,5,000/108"
25	1	039-066	Paint, Blue (Fast Dry Enamel)	4,5,000/108"
26	2	300-5000-12	Hose, #6 Hp(20"Lg) Str. Swivel(2)	4,5/60x108"
26	2	100-5004-1	Hose, #6 Hp(24"Lg) Str. Swivel(2)	4,5,000/72-84x108"
26	2	300-5000-48	Hose, #6 Hp(38"Lg) Str. Swivel(2)	4,5,000/96x108"
27	1	034-571	Fitting, Tee 022T-6-6	4,5,000/108"
28	2	034-504	Adapter, Fitting 0103-6-6	4,5,000/108"
29	2	034-599	Fitting Elbow Forged #6mp-4mp-90	4,5,000/108"
30	2	033-663	Velocity Fuse 7.5 GPM	4,5,000/108"

\* - INDENTED SUB-ASSEMBLY – SHOWN ON SAME PAGE

\*\* - SUBASSEMBLY - SHOWN ON SEPARATE PAGE

Continued...

**General Assembly - 4 & 5,000 lb. Cap. - 108" Deck Length**

<b>Item</b>	<b>Qty</b>	<b>Part No</b>	<b>General Description</b>	<b>Specific Description</b>
31	1	302-5002	Lip Assy,60"(18"Lg,4&5#)1pc Lp	4,5,000/108"
32	1	312-5080-5	Guard Rail, Right Side 108"Deck	4,5,000/108"
33	1	312-5077	Guard Rail, Left Side 96-1/2"x45"	4,5,000/108"
33	1	312-5081-5	Guard Rail, Left Side 108"	5,000/72,84X108"
34	1	091-023-0600	Chain (60"Lg) [3/16"Proof Coil Galvanized]	4,5,000/108"
35	2	091-023-0540	Chain (54"Lg) 3/16"Proof Coil Galvanized	4,5,000/60X108"
35	2	091-023-0660	Chain (66"Lg) 3/16"Proof Coil Galvanized	4,5/72X108"
35	2	091-023-0780	Chain (78"Lg) 3/16"Proof Coil Galvanized	4,5,000/84X108"
35	2	091-023-0900	Chain (90"Lg) 3/16"Proof Coil Galvanized	4,5,000/96X108"
36	2	R3-19203	Hook Snap 4"Lg - 7/16"-20	4,5,000/108"
37	3	034-674	Fitting - 1/4" M X 3/8" Comp	4,5,000/108"
38	1	034-673	Fitting Nylon Tee - (3/8" Comp)	4,5,000/108"
39	2	091-000-0516	Tubing Black Nylon (3/8"X51-3/4"LG)	4,5,000/60X108"
40	2	091-000-0576	Tubing Black Nylon (3/8"X57-3/4"LG)	4,5,000/72,84X108"
40	2	091-000-0320	Tubing Black Nylon (3/8"X32"LG)	5,000/72X108"
40	2	091-000-0696	Tubing Black Nylon (3/8"X69-3/4"LG)	4,5,000/96X108"
41	1	300-5001-37	Hose, #8 HP (138"Lg) Str.Swivel(2)	4,5,000/60X108"
41	1	300-5001-40	Hose, #8 HP (156"Lg) Str.Swivel(2)	4,5,000/72X108"
41	1	300-5001-55	Hose Assy #8 HP - (162"Lg.)	4,5,000/84X108"
41	1	300-5001-40	Hose, #8 HP (180"Lg) Str.Swivel(2)	4,5,000/96X108"
42	1	300-5006-3	Vent Line Kit (28"LG)	4,5,000/60X108"
42	1	300-5006-4	Vent Line Kit (29"LG)	4,5,000/72X108"
42	1	300-5006-5	Vent Line Kit (30"LG)	4,5,000/84X108"
42	1	300-5006-7	Vent Line Kit (32"LG)	4,5,000/96X108"
43	1	121-616-1	Bar, Lip Hinge	4,5,000/108"
44	2	013-005	Pin, Spring	4,5,000/108"



**7.2.1 Cylinder Assembly- 4 & 5,000 lb. Cap. - 108" Deck Length**

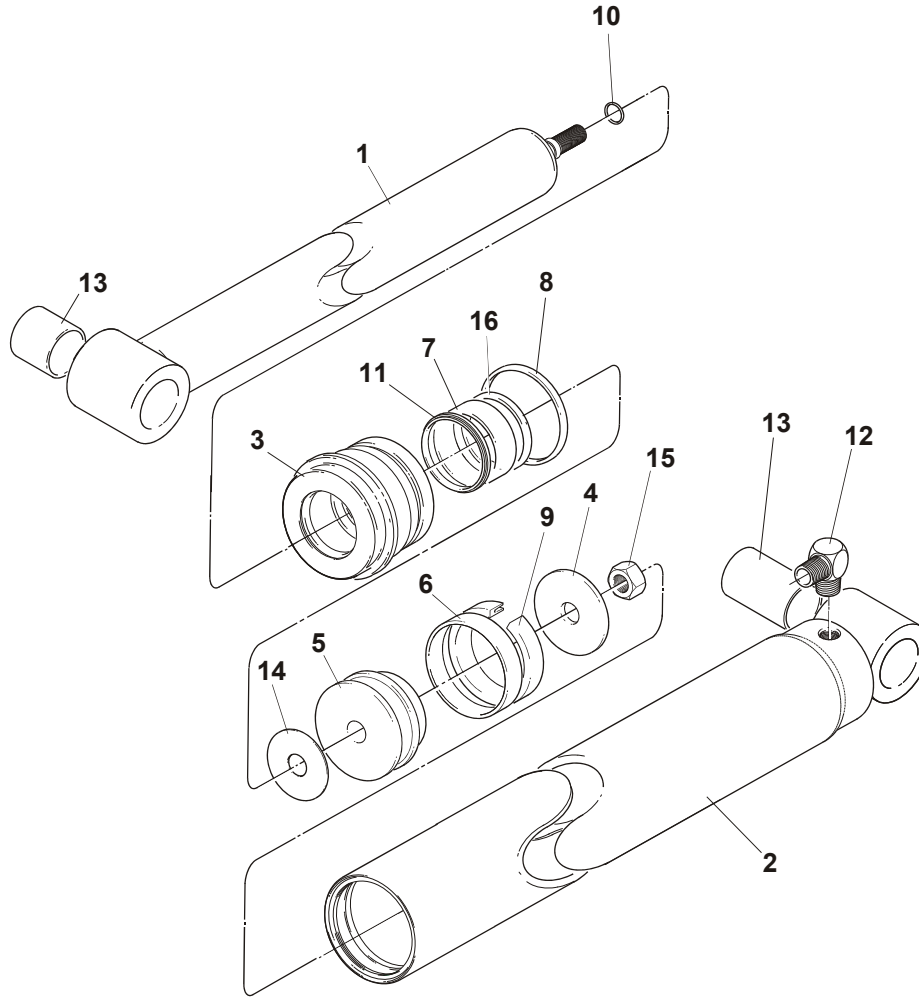


Figure 10 : Cylinder Assembly - Models 4 & 5 - 108" Deck Length

Item	Qty	Part No	General Description	Specific Description
-	-	<b>780-142-204</b>	<b>Cylinder Ass'y (4"Dia) [20-1/2"Stroke]</b>	<b>4,&amp;5,000/108"</b>
1	1	786-855	Ram Assy 3", 3-1/2", & 4"	4,&5,000/108"
2	1	780-143	Housing Weldment (4"Dia)	4,&5,000/108"
3	1	117-989	Headnut 4" Dia. Cyl (2" Dia. Rod)	4,&5,000/108"
4	1	114-980	Piston Washer - (4" Dia)	4,&5,000/108"
5	1	114-638	Piston - 4"Dia Cyl	4,&5,000/108"
6●	1	036-156	Wear Ring Pist.Wd.3-1/2x1/2	4,&5,000/108"
7●	1	036-182	Wear Ring - 3" X .125" Thick	4,&5,000/108"
8●	1	036-130	O-Ring - 4"OD X 3-3/4"ID	4,&5,000/108"
9●	1	036-116	U-Cup - 4" X 3-3/8" X 1/2"	4,&5,000/108"
10●	1	036-108	O-Ring - 3/4"OD X 5/8"ID X 1/16"	4,&5,000/108"
11●	1	036-021	Wiping Ring - 2"ID	4,&5,000/108"
12	1	034-500	Fitting, 6-6	4,&5,000/108"
13	2	018-027	Bushing	4,&5,000/108"
14●	1	117-993	Gasket	4,&5,000/108"
15	1	011-530	Nut, Hex Jam - 3/4"-10	4,&5,000/108"
16●	1	036-176	O-Ring (2-1/4" OD X 2" ID)	4,&5,000/108"
-	-	<b>783-572</b>	<b>Seal Kit Includes Itme Marked (●)</b>	<b>4,&amp;5,000/108"</b>

**7.3 General Assembly - 6,000 lb. Cap. - 108" Deck Length**

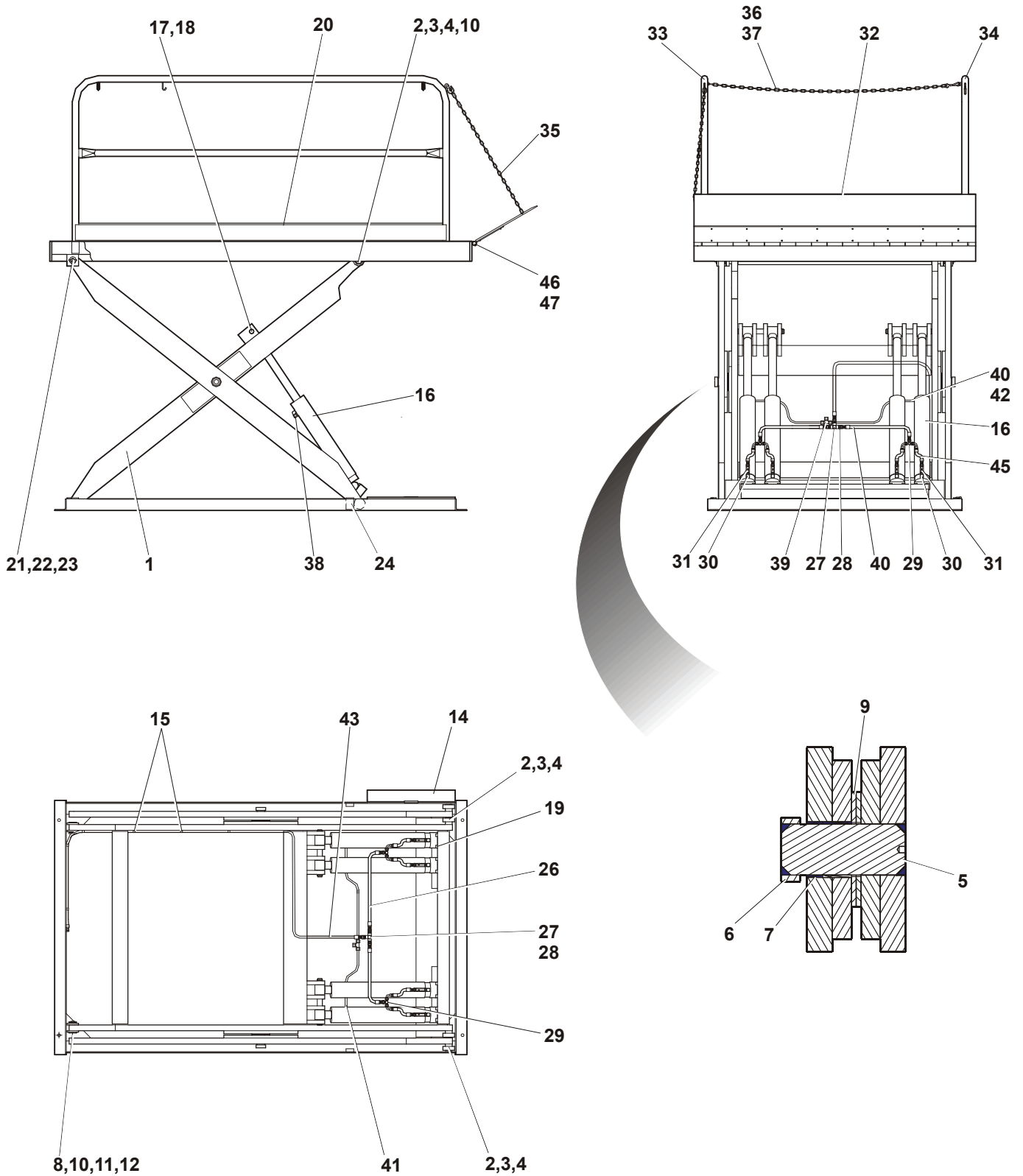


Figure 11 : General Assembly - 6,000 lb. - 108" Deck Length

**General Assembly - 6,000 lb. Cap. - 108" Deck Length**

Item	Qty	Part No	General Description	Specific Description
-	-	-	<b>General Assy 6,000 - 108" Deck Length</b>	<b>10" Lowered Height</b>
				<b>REF. Drwg. 310-5425</b>
<b>1*</b>	<b>1</b>	<b>313-5222-2</b>	<b>Frame/Leg Weldment</b>	<b>6,000/60X108"</b>
<b>1*</b>	<b>1</b>	<b>313-5222-3</b>	<b>Frame/Leg Weldment</b>	<b>6,000/72-84X108"</b>
<b>1*</b>	<b>1</b>	<b>313-5222-4</b>	<b>Frame/Leg Weldment</b>	<b>6,000/96X108"</b>
2	2	019-001	Bearing, 80x40x18mm	6,000/108"
3	4	011-066	Capscrew, Hex Sckt F/H-5/16"-18 X 3/4"	6,000/108"
4	2	013-005	Spring Pin 5/32"x1"Lg	6,000/108"
5	2	114-652	Leg Centre Pin 1-1/2" Thk Leg(4-7/8" Lg)	6,000/108"
6	2	114-606	Collar - 2" (Centre Pin Mod)	6,000/108"
7	2	018-031	Bushing - 2"IDx1"LG	6,000/108"
8	4	018-051	Bushing - 1"IDx3/4"LG	6,000/108"
9	2	012-219	Washer, Flat -2.13" IDx4.5"ODx0.187"TH	6,000/108"
10	4	121-684	Ring-Spacer (1-7/8" O.D)	6,000/108"
11	2	798-048	Pin Ass'y (3/4" Thick Legs)	6,000/108"
11	2	798-043	Pin Ass'y (3/4" Thick Legs)	6,000/108"
12	2	013-012	Spring Pin - 1/4" X 2	6,000/108"
13	6	106-389	Spacr Washer, 1-3/4"ODx1"IDx1/16"THK	6,000/108"
14	1	822-440	Strut Weldment, Maintenance	6,000/108"
15	8	035-262	Strap (#6 Hose Clamp)	6,000/108"
<b>16**</b>	<b>4</b>	<b>780-144-200</b>	<b>Cylinder Ass'y (3-1/2"Dia) [20"Stroke]</b>	<b>6,000/108"</b>
17	4	115-043	Pin-Cylinder Pivot	6,000/108"
18	4	013-036	Retaining Ring Ext. - 1-1/4"ld	6,000/108"
19	8	104-476	Lip Stop (3/4"X5/8")	6,000/108"
20	1	312-5261-7	Deck Ass'y S2 6,000/60x108	6,000/60X108"
20	1	312-5261-8	Deck Ass'y S2 6,000/72X108	6,000/72X108"
20	1	312-5261-9	Deck Ass'y S2 6,000/84X108	6,000/84X108"
20	1	312-5261-10	Deck Ass'y S2 6,000/96X108	6,000/96X108"
20	1	312-5257-7	Deck Ass'y S3 (Tapered) 6,000/60x108	6,000/60X108"
20	1	312-5257-8	Deck Ass'y S3 (Tapered) 6,000/72x108	6,000/72X108"
20	1	312-5257-9	Deck Ass'y S3 (Tapered) 6,000/84x108	6,000/84X108"
20	1	312-5257-10	Deck Ass'y S3 (Tapered) 6,000/96x108	6,000/96X108"
21	2	798-049	Pin Ass'y - (1-1/2" Thick Legs)	6,000/108"
22	6	106-389	Spacer Washer - 1-3/4"ODx1"IDx1/16"THK	6,000/108"
23	2	013-012	Spring Pin - 1/4" X 2"	6,000/108"
24	2	117-005	Roller Stop	6,000/108"
25	1.5GA	039-066	Paint, Blue (Fast Dry Enamel)	6,000/108"
26	2	300-5000-12	Hose, #6 HP (20"Lg) Str.Swivel(2)	6,000/60X96"
26	2	300-5000-14	Hose, #6 HP (25"Lg) Str.Swivel(2)	6,000/72-84X96"
26	2	300-5000-48	Hose, #6 Hp (38"Lg) Str.Swivel(2)	6,000/96X96"
27	1	034-571	Fitting, Tee 022T-6-6	6,000/108"
28	2	034-504	Adapter, Fitting 0103-6-6	6,000/108"
29	2	034-551	Fitting, Tee 033T-6-6	6,000/108"
30	2	034-599	Fitting Elbow Forged #6MP-4MP-90°	6,000/108"

\* - INDENTED SUB-ASSEMBLY – SHOWN ON SAME PAGE

\*\* - SUBASSEMBLY - SHOWN ON SEPARATE PAGE

*Continued...*

**General Assembly - 6,000 lb. Cap. - 108" Deck Length**

<b>Item</b>	<b>Qty</b>	<b>Part No</b>	<b>General Description</b>	<b>Specific Description</b>
31	2	033-663	Velocity Fuse, 7.5gpm	6,000/108"
32	1	302-5002-7	Lip Assy,60" (18"LG,6#)	6,000/108"
33	1	312-5080-5	Guard Rail, Right Side 108"Deck	6,000/108"
34	1	312-5081-5	Guard Rail, Left Side 108"Deck	6,000/108"
35	1	091-023-0600	Chain (60"Lg) 3/16"	6,000/108"
36	2	091-023-0540	Chain - 3/16"Galvanized 54"	6,000/60X108"
36	2	091-023-0660	Chain - 3/16"Galvanized 66"	6,000/72X108"
36	2	091-023-0780	Chain - 3/16"Galvanized 78"	6,000/84x108"
36	2	091-023-0900	Chain - 3/16"Galvanized 90"	6,000/96x108"
37	2	R3-19203	Hook Snap 4"Lg	6,000/108"
38	2	034-674	Fitting, 1/4" M X 3/8" COMP	6,000/108"
39	1	034-673	Fitting Nylon Tee - 3/8" Comp,	6,000/108"
40	2	035-085	Fitting, Tee	6,000/108"
41	1	091-000-0340	Tubing, Black Nylon (34"LG")	6,000/60X108"
41	1	091-000-0400	Tubing, Black Nylon (40"LG)	6,000/72-84X108"
41	1	091-000-0520	Tubing, Black Nylon (52"LG)	6,000/96X108"
42	2	091-000-0064	Tubing, Black Nylon (6-1/2" LG.)	6,000/108"
43	1	300-5001-37	Hose, #8 HP (138"Lg) Str.Swivel(2)	6,000/60X108"
43	1	300-5001-40	Hose, #8 HP (156"Lg) Str.Swivel(2)	6,000/72X108"
43	1	300-5001-55	Hose Assy #8 HP - (162"Lg.)	6,000/84X108"
43	1	300-5001-40	Hose, #8 HP (180"Lg) Str.Swivel(2)	6,000/96X108"
44	1	300-5006-3	Vent Line Kit (28'lg)	6,000/60X108"
44	1	300-5006-4	Vent Line Kit (29'lg)	6,000/72X108"
44	1	300-5006-5	Vent Line Kit (30'lg)	6,000/84X108"
44	1	300-5006-6	Vent Line Kit (31'lg)	6,000/96X108"
45	4	300-5000-1	Hose, #6 HP (6"Lg) Str.Swivel(2)	6,000/108"
46	1	106-205	Bar For Lip Hinge (60"Lg)	6,000/108"
47	1	013-010	Spring Pin -1/4" X 1-1/4"	6,000/108"

**7.3.1 Cylinder Assembly- 6,000 lb. Cap. - 108" Deck Length**

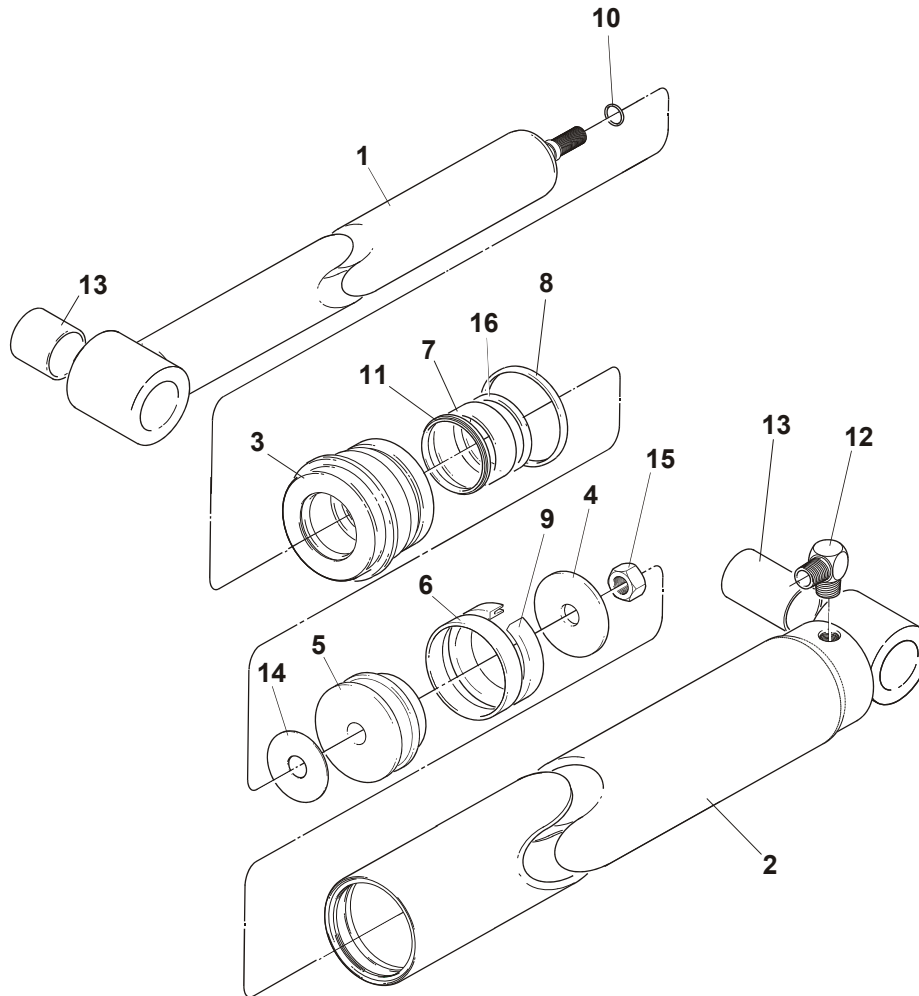


Figure 12 : Cylinder Assembly - 6,000 lb. - 108" Deck Length

Item	Qty	Part No	General Description	Specific Description
-	-	<b>780-144-200</b>	<b>Cylinder Ass'y (3-1/2"Dia) [20"Stroke]</b>	<b>6,000/108"</b>
1	1	786-855	Ram Assy 3", 3-1/2", & 4"	6,000/108"
2	1	780-145	Housing Weldment (4"Dia)	6,000/108"
3	1	117-966	Headnut 3-1/2" Dia. Cyl (2" Dia. Rod)	6,000/108"
4	1	114-979	Piston Washer - (3-1/2" Dia)	6,000/108"
5	1	114-639	Piston - 3-1/2"Dia Cyl	6,000/108"
6●	1	036-155	Wear Ring Pist.Wd.3-1/2x1/2	6,000/108"
7●	1	036-182	Wear Ring - 3" X .125" Thick	6,000/108"
8●	1	036-131	O-Ring - 3-1/2"OD X 3-3/4"ID	6,000/108"
9●	1	036-111	U-Cup - 3-1/2" X 2-7/8" X 1/2"	6,000/108"
10●	1	036-108	O-Ring - 3/4"OD X 5/8"ID X 1/16"	6,000/108"
11●	1	036-021	Wiping Ring - 2"ID	6,000/108"
12	1	034-500	Fitting, 6-6	6,000/108"
13	2	018-027	Bushing	6,000/108"
14●	1	117-993	Gasket	6,000/108"
15	1	011-530	Nut, Hex Jam - 3/4"-10	6,000/108"
16●	1	036-176	O-Ring (2-1/4" OD X 2" ID)	6,000/108"
-	-	<b>783-557</b>	<b>Seal Kit Includes Itme Marked (●)</b>	<b>6,000/108"</b>

**7.4 General Assembly - 4,000 lb. Cap. - 120" Deck Length**

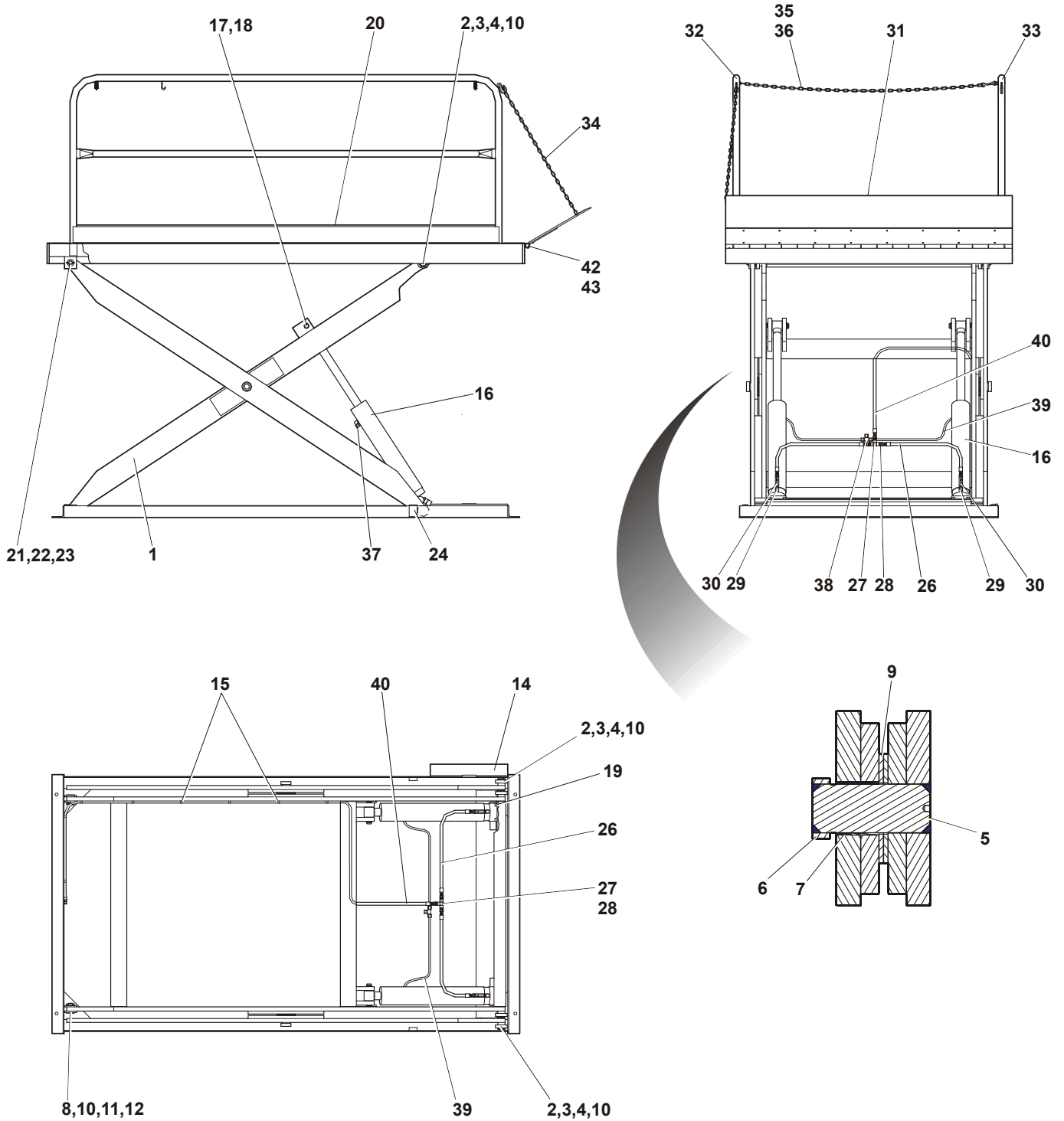


Figure 13 : General; Assembly - 4,000 lb. - 120" Deck Length

**General Assembly - 4,000 lb. Cap. - 120" Deck Length**

Item	Qty	Part No	General Description	Specific Description
-	-	-	<b>General Assembly ED4 - 120" Deck Length</b>	<b>10" Lowered Height</b>
				<b>REF. Drwg. 310-5426</b>
<b>1*</b>	<b>1</b>	<b>313-5223-2</b>	<b>Frame/Leg Weldment</b>	<b>4,000/60X120</b>
<b>1*</b>	<b>1</b>	<b>313-5223-3</b>	<b>Frame/Leg Weldment</b>	<b>ED4/72-84X120</b>
<b>1*</b>	<b>1</b>	<b>313-5223-4</b>	<b>Frame/Leg Weldment</b>	<b>ED4/96X120</b>
2	2	019-022	Bearing, 80x40x18mm	4,000/120"
3	4	011-066	Capscrew, Hex Sckt F/H-5/16"-18 X 3/4"	4,000/120"
4	2	013-005	Spring Pin 5/32"x1"Lg	4,000/120"
5	2	114-651	Leg Centre Pin 1" Thk Leg (4-7/8" Lg)	4,000/120"
6	2	114-606	Collar - 2" (Centre Pin Mod Ed)	4,000/120"
7	2	018-033	Bushing - 2"IDx1-3/4"LG	4,000/120"
8	4	018-061	Bushing - 1"IDx1"LG	4,000/120"
9	2	012-219	Washer, Flat-2.13" IDx4.5"ODx0.187"THK	4,000/120"
10	4	121-684	Ring-Spacer (1-7/8" O.D)	4,000/120"
11	2	798-043	Pin Ass'y (3/4" Thick Legs)	4,000/120"
12	2	013-012	Spring Pin - 1/4" X 2	4,000/120"
13	6	105-879	Spacer Washer, 3/4"ODx1-3/16"IDx1/16"THK	4,000/120"
14	1	822-440	Strut Weldment, Maintenance	4,000/120"
15	8	035-262	Strap (#6 Hose Clamp)	4,000/120"
<b>16**</b>	<b>4</b>	<b>780-142-220</b>	<b>Cylinder Ass'y (4"Dia) [22"Stroke]</b>	<b>4,000/120"</b>
17	4	114-993	Pin-Cylinder Pivot	4,000/120"
18	4	013-036	Retaining Ring Ext. - 1-1/4"Id	4,000/120"
19	8	104-476	Lip Stop (3/4"X5/8")	4,000/120"
20	1	312-5262-2	Deck Ass'y S2 4,000/60x120	4,000/60X120"
20	1	312-5262-3	Deck Ass'y S2 4,000/72X120	4,000/72X120"
20	1	312-5262-4	Deck Ass'y S2 4,000/84X120	4,000/84X120"
20	1	312-5262-5	Deck Ass'y S2 4,000/96X120	4,000/96X120"
20	1	312-5258-2	Deck Ass'y S3 (Tapered) 4,000/60X120	4,000/60X120"
20	1	312-5258-3	Deck Ass'y S3 (Tapered) 4,000/72X120	4,000/72X120"
20	1	312-5258-4	Deck Ass'y S3 (Tapered) 4,000/84X120	4,000/84X120"
20	1	312-5258-5	Deck Ass'y S3 (Tapered) 4,000/96X120	4,000/96X120"
21	2	798-043	Pin Ass'y - (1-1/2" Thick Legs)	4,000-120"
22	6	106-389	Spacer Washer - 1-3/4"Odx1"Idx1/16"THK	4,000-120"
23	2	013-012	Spring Pin - 1/4" X 2"	4,000-120"
24	2	117-005	Roller Stop	4,000-120"
25	1.5GA	039-066	Paint, Blue (Fast Dry Enamel)	4,000-120"
26	2	300-5000-12	Hose, #6 HP (20"Lg) Str.Swivel(2)	4,000/60X120"
26	2	300-5000-14	Hose, #6 HP (25"Lg) Str.Swivel(2)	4,000/72-84X120"
26	2	300-5000-48	Hose, #6 Hp (38"Lg) Str.Swivel(2)	4,000/96X120"
27	1	034-571	Fitting, Tee 022T-6-6	4,000/120"
28	2	034-504	Adapter, Fitting 0103-6-6	4,000/120"
29	2	034-599	Fitting Elbow Forged #6mp-4mp-90	4,000/120"
30	2	033-663	Velocity Fuse, 7.5gpm	4,000/120"

\* - INDENTED SUB-ASSEMBLY – SHOWN ON SAME PAGE

\*\* - SUBASSEMBLY - SHOWN ON SEPARATE PAGE

Continued...

**General Assembly - 4,000 lb. Cap. - 120" Deck Length**

<b>Item</b>	<b>Qty</b>	<b>Part No</b>	<b>General Description</b>	<b>Specific Description</b>
31	1	302-5002	Lip Assy,60" (18"LG,6#)	4,000/120"
32	1	312-5080-6	Guard Rail, Right Side 120"Deck	4,000/120"
33	1	312-5081-6	Guard Rail, Left Side 120"Deck	4,000/120"
34	1	091-023-0600	Chain (60"Lg) 3/16"	4,000/120"
35	2	091-023-0540	Chain - 3/16"Galvanized 54"	4,000/60X120"
35	2	091-023-0660	Chain - 3/16"Galvanized 66"	4,000/72X120"
35	2	091-023-0780	Chain - 3/16"Galvanized 78"	4,000/84x120"
35	2	091-023-0900	Chain - 3/16"Galvanized 90"	4,000/96x120"
36	2	R3-19203	Hook Snap 4"Lg	4,000/120"
37	2	034-674	Fitting, 1/4" M X 3/8" Comp	4,000/120"
38	1	034-673	Fitting Nylon Tee - 3/8" Comp,	4,000/120"
39	1	091-000-0532	Tubing, Black Nylon (53-1/4"LG)	4,000/60X120"
39	1	091-000-0592	Tubing, Black Nylon (59-1/4"LG)	4,000/72-84X120"
39	1	091-000-0692	Tubing, Black Nylon (69-1/4"LG)	4,000/96X120"
40	1	300-5001-38	Hose, #8 HP (144"Lg) Str.Swivel(2)	4,000/60X120"
40	1	300-5001-40	Hose, #8 HP (156"Lg) Str.Swivel(2)	4,000/72X120"
40	1	300-5001-41	Hose, #8 HP (168"Lg) Str.Swivel(2)	4,000/84X120"
40	1	300-5001-43	Hose, #8 HP (180"Lg) Str.Swivel(2)	4,000/96X120"
41	1	300-5006-4	Vent Line Kit (29'lg)	4,000/60X120"
41	1	300-5006-5	Vent Line Kit (30'lg)	4,000/72X120"
41	1	300-5006-6	Vent Line Kit (31'lg)	4,000/84X120"
41	1	300-5006-7	Vent Line Kit (32'lg)	4,000/96X120"
42	1	121-616-1	Shaft. Lip Hinge	4,000/120"
43	1	013-005	Spring Pin -1/4" X 1-1/4"	4,000/120"



**7.4.1 Cylinder Assembly- 4 & 5,000 lb. Cap. - 108" Deck Length**

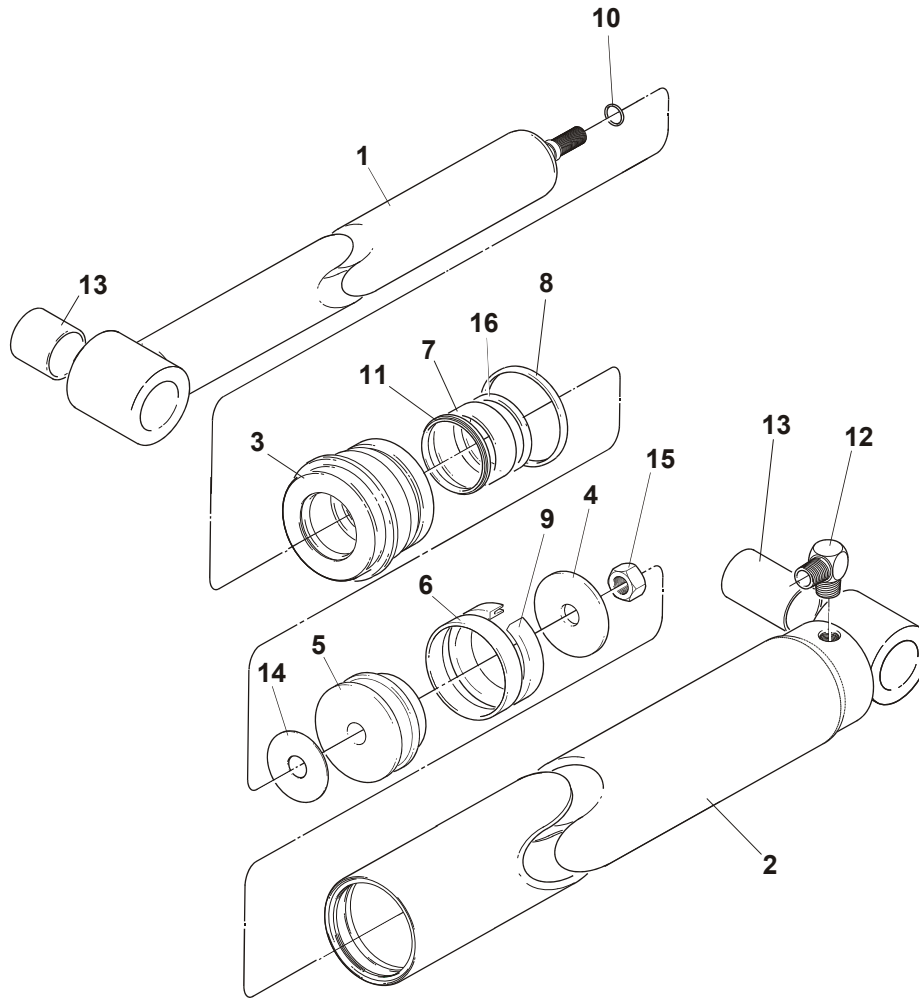


Figure 14 : Cylinder Assembly - 4, & 5,000 - 108" Deck Length

Item	Qty	Part No	General Description	Specific Description
-	-	<b>780-142-220</b>	<b>Cylinder Ass'y (4"Dia) [22"Stroke]</b>	<b>4,000/120"</b>
1	1	786-855	Ram Assy 3", 3-1/2", & 4"	4,000/120"
2	1	780-143	Housing Weldment (4"Dia)	4,000/120"
3	1	117-989	Headnut 4" Dia. Cyl (2" Dia. Rod)	4,000/120"
4	1	114-980	Piston Washer - (4" Dia)	4,000/120"
5	1	114-638	Piston - 4"Dia Cyl	4,000/120"
6●	1	036-156	Wear Ring Pist.Wd.3-1/2x1/2	4,000/120"
7●	1	036-182	Wear Ring - 3" X .125" Thick	4,000/120"
8●	1	036-130	O-Ring - 4"OD X 3-3/4"ID	4,000/120"
9●	1	036-116	U-Cup - 4" X 3-3/8" X 1/2"	4,000/120"
10●	1	036-108	O-Ring - 3/4"OD X 5/8"ID X 1/16"	4,000/120"
11●	1	036-021	Wiping Ring - 2"ID	4,000/120"
12	1	034-500	Fitting, 6-6	4,000/120"
13	2	018-027	Bushing	4,000/120"
14●	1	117-993	Gasket	4,000/120"
15	1	011-530	Nut, Hex Jam - 3/4"-10	4,000/120"
16●	1	036-176	O-Ring (2-1/4" OD X 2" ID)	4,000/120"
-	-	<b>783-572</b>	<b>Seal Kit Includes Items Marked (●)</b>	<b>4,000/120"</b>

**7.5 General Assembly - 5 & 6,000 lb. Cap. - 120" Deck Length**

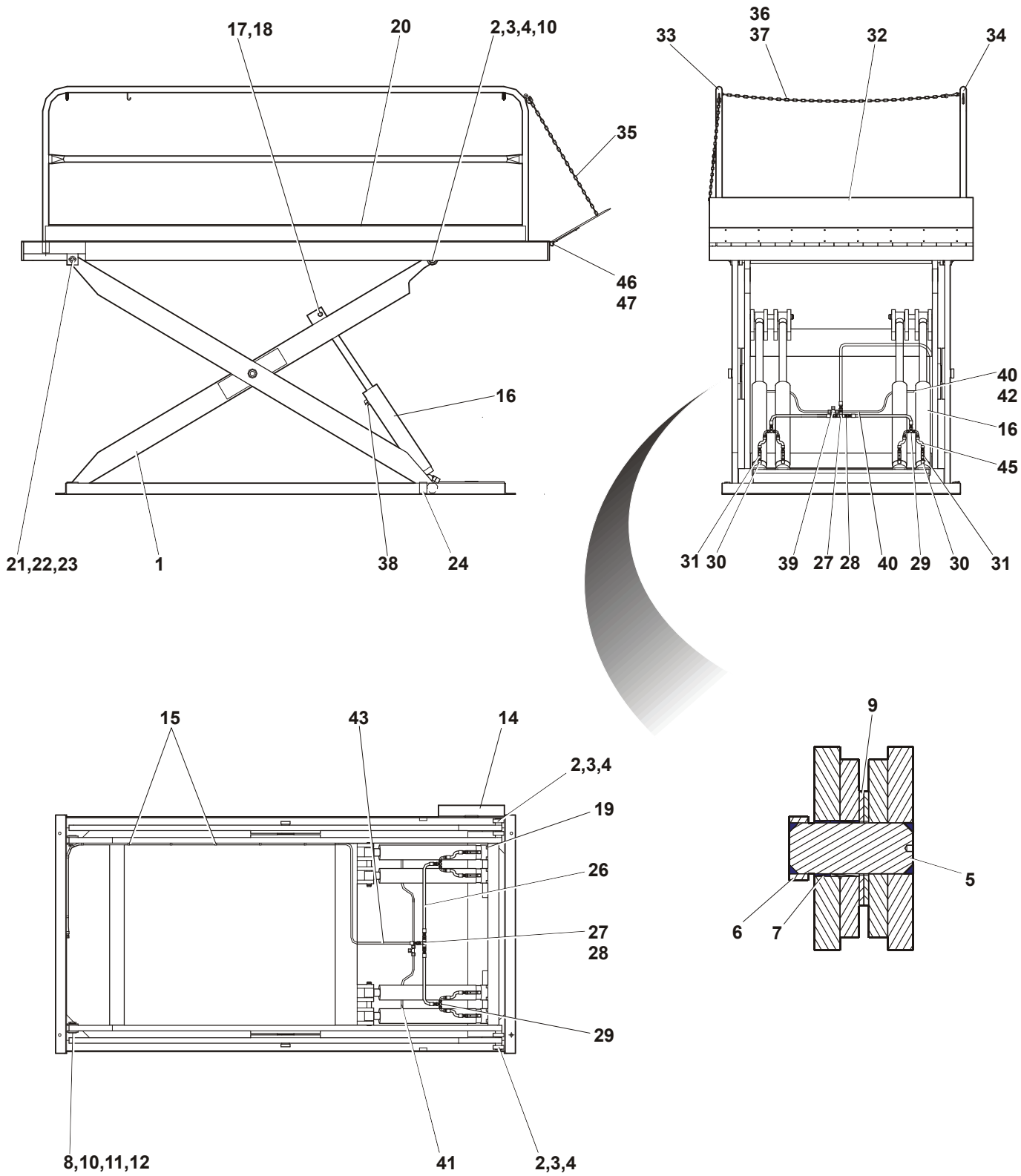


Figure 15 : General Assembly - 5, & 6,000 - 120" Deck Length

**General Assembly - 5 & 6,000 lb. Cap. - 120" Deck Length**

Item	Qty	Part No	General Description	Specific Description 10" Lowered Height
			<b>General Assembly ED5,6 - 120" Deck Length</b>	<b>REF.DRG.310-5427</b>
1*	1	313-5224-2	Frame And Leg Weldment	5,000/60X120
1*	1	313-5224-3	Frame And Leg Weldment	5,000/72,84X120
1*	1	313-5224-4	Frame And Leg Weldment	5,000/96X120
1*	1	313-5225-2	Frame And Leg Weldment	6,000/60X120
1*	1	313-5225-3	Frame And Leg Weldment	6,000/72,84X120
1*	1	313-5225-4	Frame And Leg Weldment	6,000/96X120
2	4	019-022	Bearing, 80x40x18mm	5,000/120"
2	4	019-001	Bearing Roller - 3"ODx1-5/8"IDx1"W	6,000/120"
3	4	011-066	Capscrew, Hex Sckt F/H-5/16"-18 X 3/4"	5,&6,000/120"
4	2	013-005	Spring Pin 5/32"x1"Lg	5,&6,000/120"
5	2	114-652	Leg Centre Pin 1-1/2" Thk Leg(4-7/8" Lg)	5,&6,000/120"
6	2	114-606	Collar - 2" (Centre Pin Mod Ed)	5,&6,000/120"
7	2	018-031	Bushing - 2" IDx1"LG	5,&6,000/120"
8	4	018-051	Bushing - 1"IDx3/4"LG	5,&6,000/120"
9	2	012-219	Washer,Flat-2.13"IDx4.5"ODx0.187"THK	5,&6,000/120"
10	4	121-684	Ring-Spacer (1-7/8" O.D)	5,&6,000/120"
11	2	798-049	Pin Ass'y (1-1/2" Thick Legs)	5,&6,000/120"
12	2	013-012	Spring Pin - 1/4" X 2	5,&6,000/120"
13	6	105-879	Washer, 3/4"ODx1-3/16"IDx1/16"THK	5,&6,000/120"
14	1	822-440	Strut Weldment, Maintenance	5,&6,000/120"
15	8	035-262	Strap (#6 Hose Clamp)	5,&6,000/120"
16**	2	780-144-214	<b>Cylinder Ass'y (3-1/2"Dia) [21-1/2" Stroke]</b>	5,&6,000/120"
17	2	115-043	Pin-Cylinder Pivot	5,&6,000/120"
18	4	013-036	Retaining Ring Ext. 1-1/4"ID	5,&6,000/120"
19	4	104-476	Lip Stop (3/4"X5/8")	5,&6,000/120"
20	1	312-5262-2	Deck Assembly S2 5,&6,000/60x120	5,&6,000/60X120"
20	1	312-5262-3	Deck Assembly S2 5,&6,000/72x120	5,&6,000/72X120"
20	1	312-5262-4	Deck Assembly S2 5,&6,000/84x120	5,&6,000/84X120"
20	1	312-5262-5	Deck Assembly S2 5,&6,000/96x120	5,&6,000/96X120"
20	1	312-5258-2	Deck Assembly S3 (Taprd) 5,&6,000/60x120	5,&6,000/60X120"
20	1	312-5258-3	Deck Assembly S3 (Taprd) 5,&6,000/72x120	5,000/72X120"
20	1	312-5258-4	Deck Assembly S3 (Taprd) 5,&6,000/84x120	5,000/84X120"
20	1	312-5258-5	Deck Assembly S3 (Taprd) 5,&6,000/96x120	5,000/96X120"
20	1	312-5258-7	Deck Assembly S3 (Tapered) 6,000/60x120	6,000/60X120"
20	1	312-5258-8	Deck Assembly S3 (Tapered) 6,000/72x120	6,000/72X120"
20	1	312-5258-9	Deck Assembly S3 (Tapered) 6,000/84x120	6,000/84X120"
20	1	312-5258-10	Deck Assembly S3 (Tapered) 6,000/96x120	6,000/96X120"
21	2	798-049	Pin Ass'y (1-1/2" Thick Legs)	5,&6,000/120"
22	6	106-389	Spacer Washer - 1-3/4"ODx1"IDx1/16"thk	5,&6,000/120"
23	2	013-012	Spring Pin - 1/4" X 2"	5,&6,000/120"
24	2	117-005	Roller Stop	5,&6,000/120"

\* - INDENTED SUB-ASSEMBLY – SHOWN ON SAME PAGE

\*\* - SUBASSEMBLY - SHOWN ON SEPARATE PAGE

Continued...

## General Assembly - 5 & 6,000 lb. Cap. - 120" Deck Length

Item	Qty	Part No	General Description	Specific Description
25	1	039-066	Paint, Blue (Fast Dry Enamel)	5,&6,000/120"
26	2	300-5000-12	Hose, #6 Hp(20"Lg) Str. Swivel(2)	5,&6,000/60X120"
26	2	300-5000-14	Hose, #6 Hp(24"Lg) Str. Swivel(2)	5,&6,000/72-84X120"
26	2	300-5000-48	Hose, #6 Hp(38"Lg) Str. Swivel(2)	5,&6,000/96X120"
27	1	034-571	Fitting, Tee 022t-6-6	5,&6,000/120"
28	2	034-504	Adapter, Fitting 0103-6-6	5,&6,000/120"
29	2	034-551	Fitting, Tee 033T-6-6	5,&6,000/120"
30	2	034-599	Fitting Elbow Forged #6MP-4MP-90	5,&6,000/120"
31	2	033-663	Velocity Fuse 7.5 GPM	5,&6,000/120"
32	1	302-5002	Lip Assy,60"(18"Lg,4&5#)1pc Lp	5,000/120"
32	1	302-5002-7	Lip Assy,60"(18"Lg,4&5#)1pc Lp	6,000/120"
33	1	312-5080-6	Guard Rail, Right Side 120"Deck	5,&6,000/120"
34	1	312-5081-6	Guard Rail, Left Side 120"Deck	5,&6,000/120"
35	1	091-023-0600	Chain (60"Lg) [3/16"Proof Coil Galvanized]	5,&6,000/120"
36	2	091-023-0540	Chain (54"Lg) 3/16"Proof Coil Galvanized	5,&6,000/60X120"
36	2	091-023-0660	Chain (66"Lg) 3/16"Proof Coil Galvanized	5,&6,000/72X120'
36	2	091-023-0780	Chain (78"Lg) 3/16"Proof Coil Galvanized	5,&6,000/84X120"
36	2	091-023-0900	Chain (90"Lg) 3/16"Proof Coil Galvanized	5,&6,000/96X120"
37	2	R3-19203	Hook Snap 4"Lg - 7/16"-20	5,&6,000/120"
38	3	034-674	Fitting - 1/4" M X 3/8" Comp	5,&6,000/120"
39	1	034-673	Fitting Nylon Tee - (3/8" Comp)	5,&6,000/120"
40	1	035-085	Fitting, Tee	5,&6,000/120"
41	2	091-000-0100	Tubing Black Nylon (3/8"X10"LG)	5,&6,000/60X120"
41	2	091-000-0160	Tubing Black Nylon (3/8"X16"LG)	5,&6,000/72-84X120"
41	2	091-000-0280	Tubing Black Nylon (3/8"X28"LG)	5,&6,000/96X120"
42	2	091-000-0064	Tubing Black Nylon (3/8"X6-1/2"LG)	5,&6,000/120"
43	1	300-5001-38	Hose, #8 HP (144"Lg) Str.Swivel(2)	5,&6,000/60X120"
43	1	300-5001-40	Hose, #8 HP (156"Lg) Str.Swivel(2)	5,&6,000/72X120"
43	1	300-5001-41	Hose, #8 HP (168"Lg) Str.Swivel(2)	5,&6,000/84X120"
43	1	300-5001-43	Hose, #8 HP (180"Lg) Str.Swivel(2)	5,&6,000/96X120"
44	1	300-5006-4	Vent Line Kit (29'lg)	5,&6,000/60X120"
44	1	300-5006-5	Vent Line Kit (30'lg)	5,&6,000/72X120"
44	1	300-5006-6	Vent Line Kit (31'lg)	5,&6,000/84X120"
44	1	300-5006-7	Vent Line Kit (32'lg)	5,&6,000/96X120"
45	4	300-5000-1	Hose, #6 HP 6" LG Str. Swivel(2)	5,&6,000/120"
46	1	121-616-1	Bar, Lip Hinge	5,000/120"
46	1	106-205	Bar, Lip Hinge	6,000/120"
47	2	013-005	Pin, Spring	5,000/120"
47	2	013-010	Pin, Spring	6,000/120"

**7.5.1 Cylinder Assembly- 5 & 6,000 lb. Cap. - 120" Deck Length**

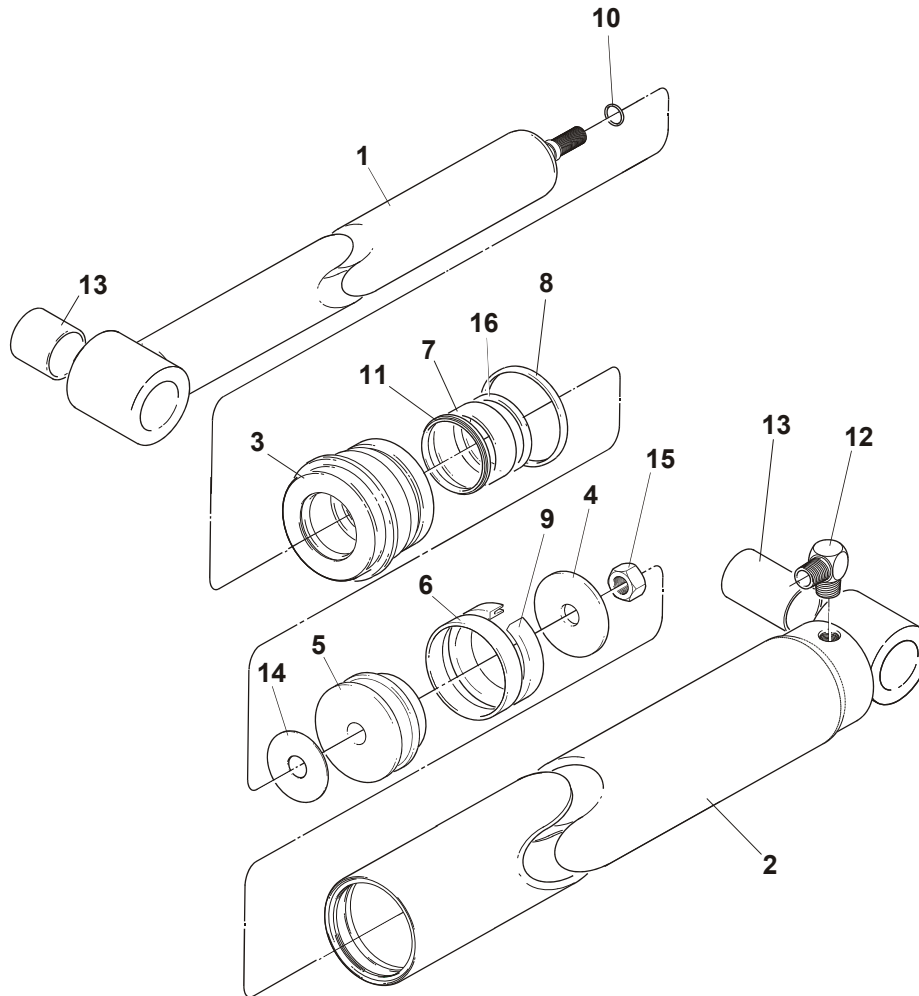


Figure 16 : Cylinder Assembly - 5, & 6,000 - 120" Deck Length

Item	Qty	Part No	General Description	Specific Description
-	-	<b>780-144-214</b>	<b>Cylinder Ass'y (3-1/2"Dia) [21-1/2" Stroke]</b>	<b>5,&amp;6,000/120"</b>
1	1	786-855	Ram Assy 3", 3-1/2", & 4"	5,&6,000/120"
2	1	780-145	Housing Weldment (4"Dia)	5,&6,000/120"
3	1	117-966	Headnut 3-1/2" Dia. Cyl (2" Dia. Rod)	5,&6,000/120"
4	1	114-979	Piston Washer - (3-1/2" Dia)	5,&6,000/120"
5	1	114-639	Piston - 3-1/2"Dia Cyl	5,&6,000/120"
6●	1	036-155	Wear Ring Pist.Wd.3-1/2x1/2	5,&6,000/120"
7●	1	036-182	Wear Ring - 3" X .125" Thick	5,&6,000/120"
8●	1	036-131	O-Ring - 3-1/2"OD X 3-3/4"ID	5,&6,000/120"
9●	1	036-111	U-Cup - 3-1/2" X 2-7/8" X 1/2"	5,&6,000/120"
10●	1	036-108	O-Ring - 3/4"OD X 5/8"ID X 1/16"	5,&6,000/120"
11●	1	036-021	Wiping Ring - 2"ID	5,&6,000/120"
12	1	034-500	Fitting, 6-6	5,&6,000/120"
13	2	018-027	Bushing	5,&6,000/120"
14●	1	117-993	Gasket	5,&6,000/120"
15	1	011-530	Nut, Hex Jam - 3/4"-10	5,&6,000/120"
16●	1	036-176	O-Ring (2-1/4" OD X 2" ID)	5,&6,000/120"
-	-	<b>783-557</b>	<b>Seal Kit Includes Itme Marked (●)</b>	<b>5,&amp;6,000/120"</b>

7.6 General Assembly - 4,000 lb. Cap. - 144" Deck Length

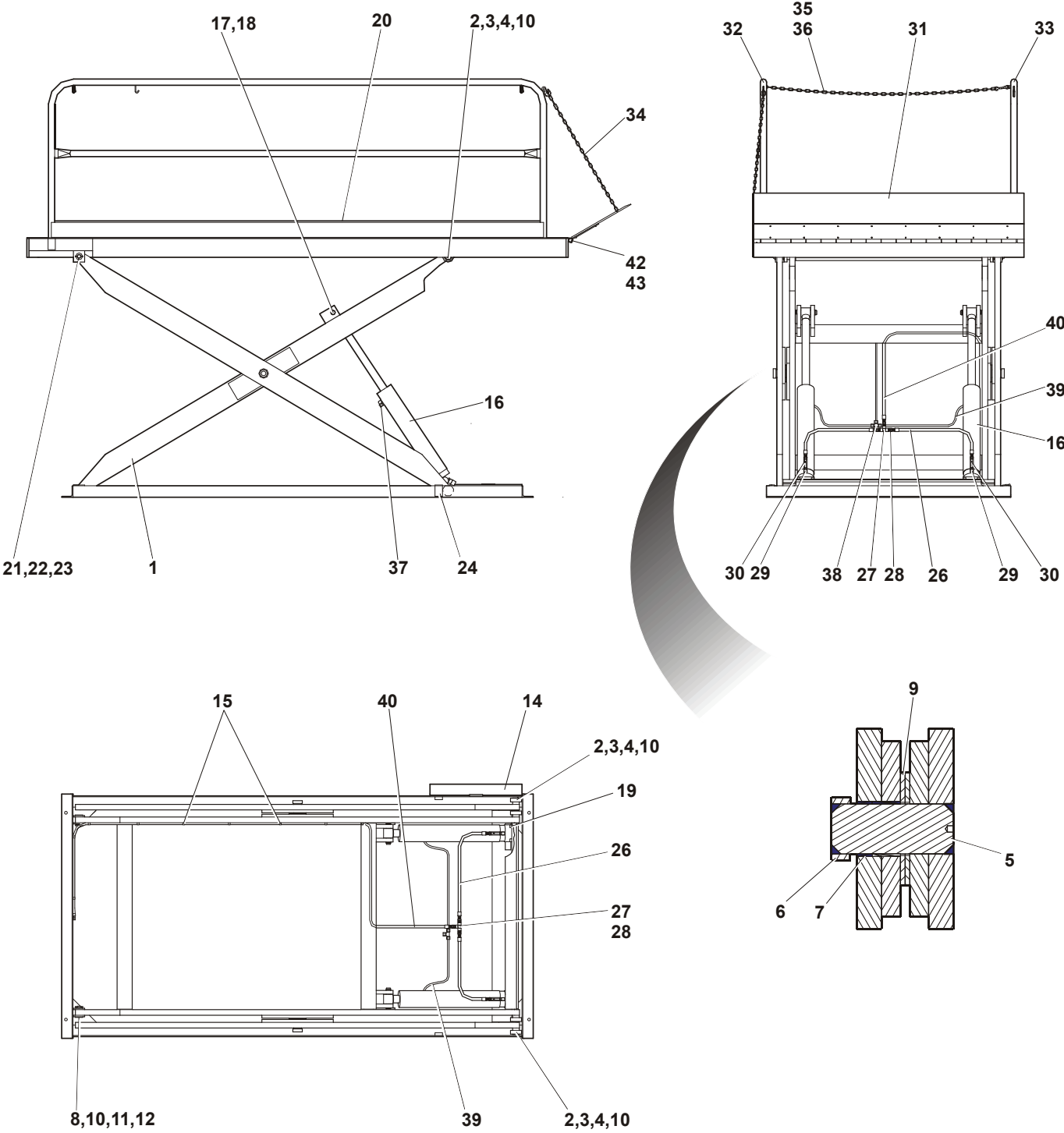


Figure 17 : General Assembly - 4,000 lb. - 144" Deck Length

**General Assembly - 4,000 lb. Cap. - 144" Deck Length**

Item	Qty	Part No	General Description	Specific Description
-	-	-	<b>General Assy 4,000lb. - 144" Deck Length</b>	<b>10" Lowered Height</b>
				<b>REF. Drwg. 310-5428</b>
<b>1*</b>	<b>1</b>	<b>313-5226-2</b>	<b>Frame/Leg Weldment</b>	<b>4,000/60X144"</b>
<b>1*</b>	<b>1</b>	<b>313-5226-3</b>	<b>Frame/Leg Weldment</b>	<b>4,000/72-84X144"</b>
<b>1*</b>	<b>1</b>	<b>313-5226-4</b>	<b>Frame/Leg Weldment</b>	<b>4,000/96X144"</b>
2	2	019-001	Bearing Roller - 3"ODx1-5/8"IDx1"W	4,000/144"
3	2	011-066	Capscrew, Hex Skt F/H - 5/16"-18 x 3/4"	4,000/144"
4	2	013-005	Spring Pin 5/32"x1"Lg	4,000/144"
5	2	114-652	Centre Pin 1-1/2" Thk Leg (5-7/8" Lg)	4,000/144"
6	2	114-606	Collar - 2" (Centre Pin Mod)	4,000/144"
7	2	018-031	Bushing - 2"IDx1"LG	4,000/144"
8	4	018-051	Bushing - 1"IDx3/4"LG	4,000/144"
9	2	012-219	Washer, Fl.P.-2.13" IDx4.5"ODx0.187"Th	4,000/144"
10	4	121-684	Ring-Spacer (1-7/8" O.D)	4,000/144"
11	2	798-049	Pin Ass'y (1-1/2" Thick Legs)	4,000/144"
12	2	013-012	Spring Pin - 1/4" X 2	4,000/144"
13	6	105-879	Washer, 3/4"ODx1-3/16"IDx1/16"THK	4,000/144"
14	1	822-440	Strut Weldment, Maintenance	4,000/144"
15	8	035-262	Strap (#6 Hose Clamp)	4,000/144"
<b>16**</b>	<b>2</b>	<b>780-142-226</b>	<b>Cylinder Ass'y (4"Dia) [22-3/4"Stroke]</b>	4,000/144"
17	2	114-993	Pin-Cylinder Pivot	4,000/144"
18	4	013-036	Retaining Ring Ext. - 1-1/4"ID	4,000/144"
19	4	104-476	Lip Stop (3/4"X5/8")	4,000/144"
20	1	312-5263-2	Deck Ass'y S2 4,000/60x144	4,000/60X144"
20	1	312-5263-3	Deck Ass'y S2 4,000/72X144	4,000/72X144"
20	1	312-5263-4	Deck Ass'y S2 4,000/84X144	4,000/84X144"
20	1	312-5263-5	Deck Ass'y S2 4,000/96X144	4,000/96X144"
20	1	312-5259-2	Deck Ass'y S3 (Tapered) 4,000/60x144	4,000/60X144"
20	1	312-5259-3	Deck Ass'y S2 (Tapered) 4,000/72x144	4,000/72X144"
20	1	312-5259-4	Deck Ass'y S2 (Tapered) 4,000/84x144	4,000/84X144"
20	1	312-5259-5	Deck Ass'y S2 (Tapered) 4,000/96x144	4,000/96X144"
21	2	798-049	Pin Ass'y - (1-1/2" Thick Legs)	4,000/144"
22	6	106-389	Spacer Washer - 1-3/4"ODx1"IDx1/16"THK	4,000/144"
23	2	013-012	Spring Pin - 1/4" X 2"	4,000/144"
24	2	117-005	Roller Stop	4,000/144"
25	1.5GA	039-066	Paint, Blue (Fast Dry Enamel)	4,000/144"
26	2	300-5000-12	Hose, #6 HP (20"Lg) Str.Swivel(2)	4,000/60X144"
26	2	300-5000-14	Hose, #6 HP (25"Lg) Str.Swivel(2)	4,000/72-84X144"
26	2	300-5000-48	Hose, #6 HP (38"Lg) Str.Swivel(2)	4,000/96X144"
27	1	034-571	Fitting, Tee 022T-6-6	4,000/144"
28	2	034-504	Adapter, Fitting 0103-6-6	4,000/144"
29	2	034-599	Fitting Elbow Forged #6MP-4MP-90	4,000/144"
30	2	033-661	Velocity Fuse, 5GPM	4,000/144"

\* - INDENTED SUB-ASSEMBLY – SHOWN ON SAME PAGE

\*\* - SUBASSEMBLY - SHOWN ON SEPARATE PAGE

Continued...

**General Assembly - 4,000 lb. Cap. - 144" Deck Length**

<b>Item</b>	<b>Qty</b>	<b>Part No</b>	<b>General Description</b>	<b>Specific Description</b>
31	1	302-5002	Lip Assy,60" (18"LG,6#)	4,000/144"
32	1	312-5080-7	Guard Rail, Right Side 144"Deck	4,000/144"
33	1	312-5081-7	Guard Rail, Left Side 144"Deck	4,000/144"
34	1	091-023-0600	Chain (60"Lg) 3/16"	4,000/144"
35	2	091-023-0540	Chain - 3/16"Galvanized 54"	4,000/60X144"
35	2	091-023-0660	Chain - 3/16"Galvanized 66"	4,000/72X144"
35	2	091-023-0780	Chain - 3/16"Galvanized 78"	4,000/84x144"
35	2	091-023-0900	Chain - 3/16"Galvanized 90"	4,000/96x144"
36	2	R3-19203	Hook Snap 4"Lg	4,000/144"
37	3	034-674	Fitting, 1/4" M X 3/8" Comp.	4,000/144"
38	1	034-673	Fitting Nylon Tee - 3/8" Comp,	4,000/144"
39	1	091-000-0540	Tubing, Black Nylon (54"LG)	4,000/60X144"
39	1	091-000-0600	Tubing, Black Nylon (60"LG)	4,000/72-84X144"
39	1	091-000-0720	Tubing, Black Nylon (72"LG)	4,000/96X144"
40	1	300-5001-40	Hose, #8 HP (156"Lg) Str.Swivel(2)	4,000/72X144"
40	1	300-5001-41	Hose, #8 HP (168"Lg) Str.Swivel(2)	4,000/84X144"
40	1	300-5001-43	Hose, #8 HP (180"Lg) Str.Swivel(2)	4,000/96X144"
40	1	300-5001-45	Hose, #8 HP (192"Lg) Str.Swivel(2)	4,000/60X144"
41	1	300-5006-6	Vent Line Kit (31'l)g	4,000/84X144"
41	1	300-5006-7	Vent Line Kit (32'l)g	4,000/96X144"
41	1	300-5006-8	Vent Line Kit (33'l)g	4,000/60X144"
41	1	300-5006-9	Vent Line Kit (34'l)g	4,000/72X144"
42	1	121-616-1	Shaft. Lip Hinge	4,000/144"
43	1	013-005	Spring Pin -1/4" X 1-1/4"	4,000/144"



**7.6.1 Cylinder Assembly- 4,000 lb. Cap. - 144" Deck Length**

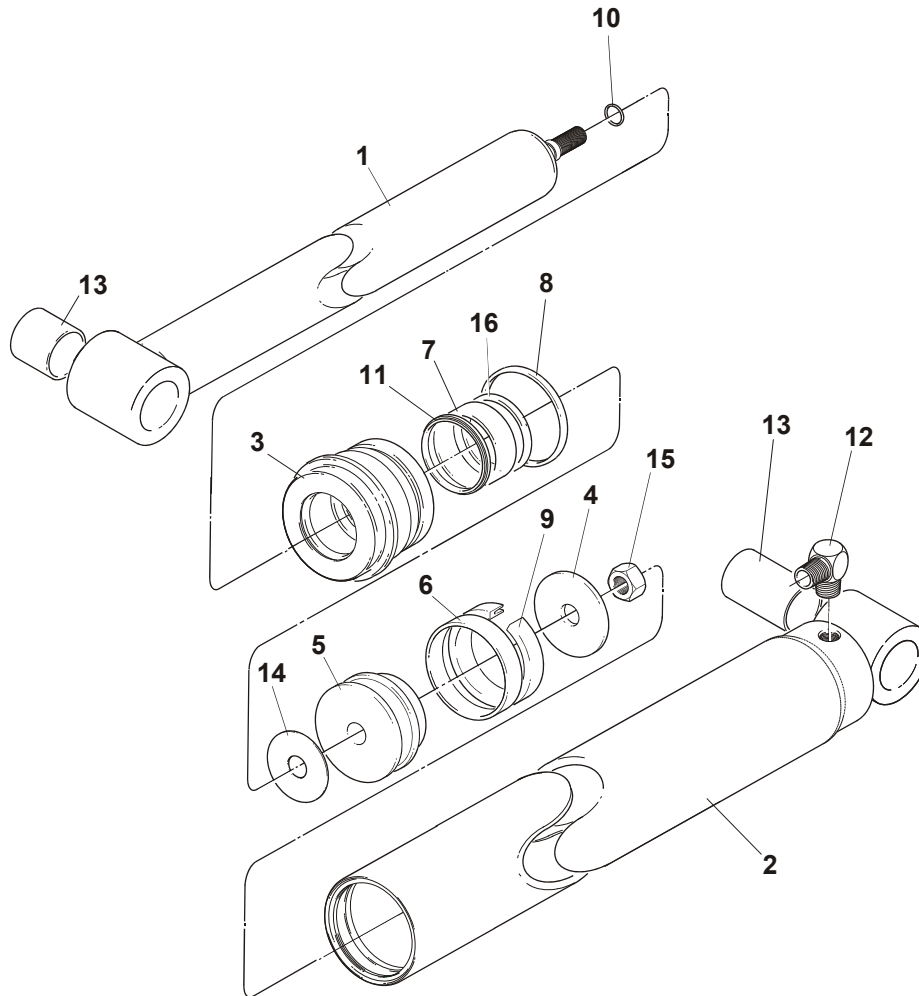


Figure 18 : Cylinder Assembly - 4,000 lb. - 144" Deck Length

Item	Qty	Part No	General Description	Specific Description
-	-	<b>780-142-226</b>	<b>Cylinder Ass'y (4"Dia) [22-3/4"Stroke]</b>	<b>4,000/144"</b>
1	1	786-855	Ram Assy 3", 3-1/2", & 4"	4,000/144"
2	1	780-143	Housing Weldment (4"Dia)	4,000/144"
3	1	117-989	Headnut 4" Dia. Cyl (2" Dia. Rod)	4,000/144"
4	1	114-980	Piston Washer - (4" Dia)	4,000/144"
5	1	114-638	Piston - 4"Dia Cyl	4,000/144"
6●	1	036-156	Wear Ring Pist.Wd.3-1/2x1/2	4,000/144"
7●	1	036-182	Wear Ring - 3" X .125" Thick	4,000/144"
8●	1	036-130	O-Ring - 4"OD X 3-3/4"ID	4,000/144"
9●	1	036-116	U-Cup - 4" X 3-3/8" X 1/2"	4,000/144"
10●	1	036-108	O-Ring - 3/4"OD X 5/8"ID X 1/16"	4,000/144"
11●	1	036-021	Wiping Ring - 2"ID	4,000/144"
12	1	034-500	Fitting, 6-6	4,000/144"
13	2	018-027	Bushing	4,000/144"
14●	1	117-993	Gasket	4,000/144"
15	1	011-530	Nut, Hex Jam - 3/4"-10	4,000/144"
16●	1	036-176	O-Ring (2-1/4" OD X 2" ID)	4,000/144"
-	-	<b>783-572</b>	<b>Seal Kit Includes Items Marked (●)</b>	<b>4,000/144"</b>

**7.7 General Assembly - 5 & 6,000 lb. Cap. - 144" Deck Length**

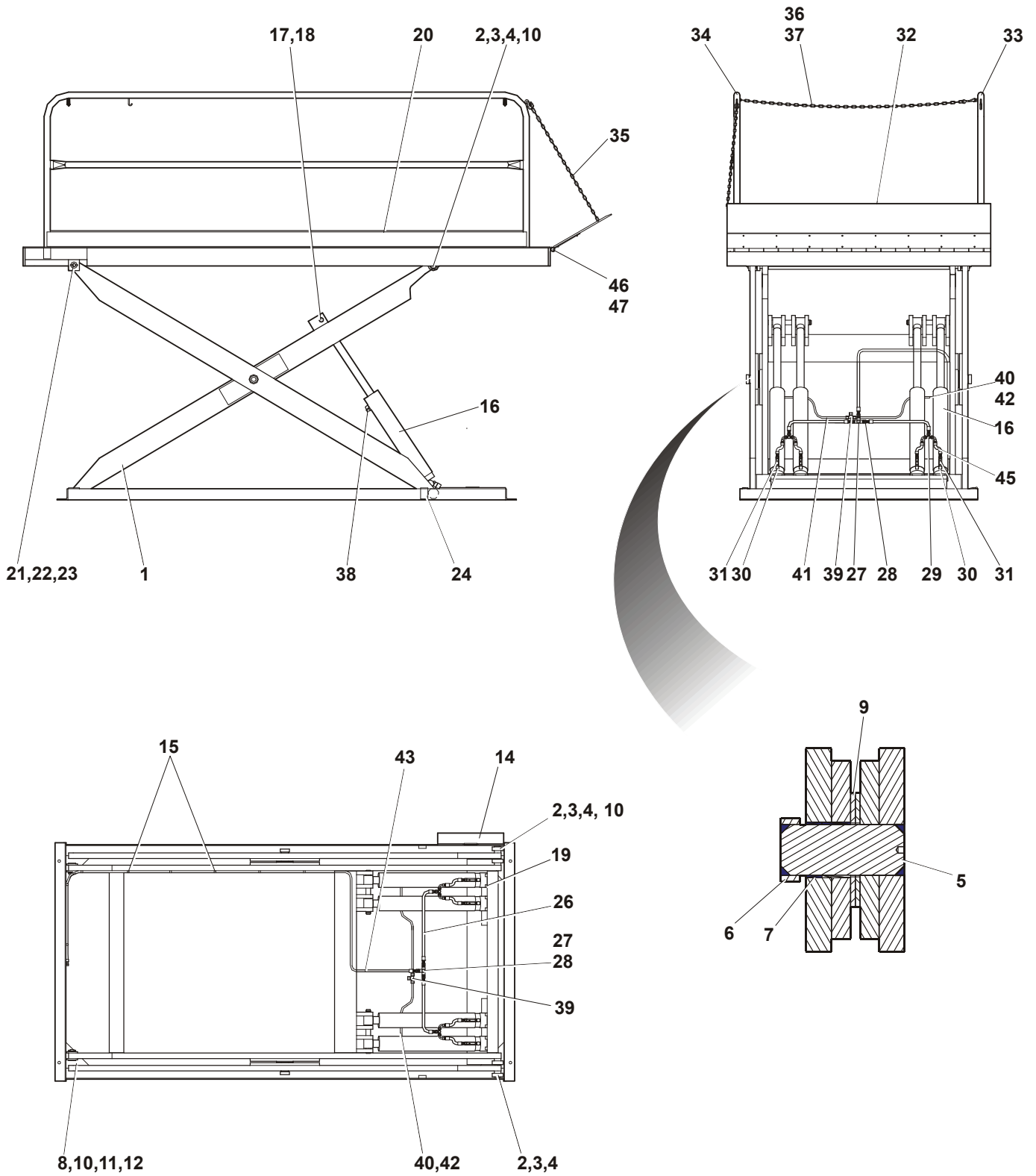


Figure 19 : General Assembly - 5, & 6,000 - 144" Deck Length

**General Assembly - 5 & 6,000 lb. Cap. - 144" Deck Length**

Item	Qty	Part No	General Description	Specific Description
			<b>General Assy 5&amp;6,000 - 144" Deck Length</b>	<b>10" Lowered Height REF.DRG.310-5429</b>
1*	1	313-5227-2	Frame And Leg Weldment	5,000/60X144"
1*	1	313-5227-3	Frame And Leg Weldment	5,000/72,84X144"
1*	1	313-5227-4	Frame And Leg Weldment	5,000/96X144"
1*	1	313-5228-2	Frame And Leg Weldment	6,000/60X144"
1*	1	313-5228-3	Frame And Leg Weldment	6,000/72,84X144"
1*	1	313-5228-4	Frame And Leg Weldment	6,000/96X144"
2	4	019-022	Bearing, 80x40x18mm	5,000/144"
2	4	019-001	Bearing Roller - 3"ODx1-5/8"IDx1"W	6,000/144"
3	4	011-066	Capscrew, Hex Sckt F/H-5/16"-18 X 3/4"	5,&6,000/144"
4	2	013-005	Spring Pin 5/32"x1"Lg	5,&6,000/144"
5	2	114-652	Leg Centre Pin1-1/2" Thk Leg (4-7/8" Lg)	5,&6,000/144"
6	2	114-606	Collar - 2" (Centre Pin Mod Ed)	5,&6,000/144"
7	2	018-031	Bushing - 2" IDx1"LG	5,&6,000/144"
8	4	018-051	Bushing - 1"IDx3/4"LG	5,&6,000/144"
9	2	012-219	Washer,Flat -2.13"IDx4.5"ODx0.187"THK	5,&6,000/144"
10	4	121-684	Ring-Spacer (1-7/8" O.D)	5,&6,000/144"
11	2	798-049	Pin Ass'y (1-1/2" Thick Legs)	5,&6,000/144"
12	2	013-012	Spring Pin - 1/4" X 2	5,&6,000/144"
13	6	105-879	Washer, 3/4"ODx1-3/16"IDx1/16"THK	5,&6,000/144"
14	1	822-440	Strut Weldment, Maintenance	5,&6,000/144"
15	8	035-262	Strap (#6 Hose Clamp)	5,&6,000/144"
16**	2	780-144-222	<b>Cylinder Ass'y (3-1/2"Dia) [22-1/4" Stroke]</b>	5,&6,000/144"
17	2	115-043	Pin-Cylinder Pivot	5,&6,000/144"
18	4	013-036	Retaining Ring Ext. 1-1/4"ID	5,&6,000/144"
19	4	104-476	Lip Stop (3/4"X5/8")	5,&6,000/144"
20	1	312-5263-2	Deck Assembly S2 5,&6,000/60x144	5,&6,000/60X144"
20	1	312-5263-3	Deck Assembly S2 5,&6,000/72x144	5,&6,000/72X144"
20	1	312-5263-4	Deck Assembly S2 5,&6,000/84x144	5,&6,000/84X144"
20	1	312-5263-5	Deck Assembly S2 5,&6,000/96x144	5,&6,000/96X144"
20	1	312-5259-2	Deck Assembly S3 (Tapered) 5,000/60x144	5,000/60X144"
20	1	312-5259-3	Deck Assembly S3 (Tapered) 5,000/72x144	5,000/72X144"
20	1	312-5259-4	Deck Assembly S3 (Tapered) 5,000/84x144	5,000/84X144"
20	1	312-5259-5	Deck Assembly S3 (Tapered) 5,000-6/96x144	5,&6,000/96X144"
20	1	312-5259-7	Deck Assembly S3 (Tapered) 6,000/60x144	6,000/60X144"
20	1	312-5259-8	Deck Assembly S3 (Tapered) 6,000/72x144	6,000/72X144"
20	1	312-5259-9	Deck Assembly S3 (Tapered) 6,000/84x144	6,000/84X144"
20	1	312-5259-10	Deck Assembly S3 (Tapered) 6,000/96x144	6,000/96X144"
21	2	798-049	Pin Ass'y (1-1/2" Thick Legs)	5,&6,000/144"
22	6	106-389	Spacer Washer - 1-3/4"ODx1"IDx1/16"thk	5,&6,000/144"
23	2	013-012	Spring Pin - 1/4" X 2"	5,&6,000/144"
24	2	117-005	Roller Stop	5,&6,000/144"
25	1	039-066	Paint, Blue (Fast Dry Enamel)	5,&6,000/144"

\* - INDENTED SUB-ASSEMBLY – SHOWN ON SAME PAGE

\*\* - SUBASSEMBLY - SHOWN ON SEPARATE PAGE

Continued...

**General Assembly - 5 & 6,000 lb. Cap. - 144" Deck Length**

<b>Item</b>	<b>Qty</b>	<b>Part No</b>	<b>General Description</b>	<b>Specific Description</b>
26	2	300-5000-12	Hose, #6 Hp(20"Lg) Str. Swivel(2)	5,&6,000/60X144"
26	2	300-5000-14	Hose, #6 Hp(24"Lg) Str. Swivel(2)	5,&6,000/72-84X144"
26	2	300-5000-48	Hose, #6 Hp(38"Lg) Str. Swivel(2)	5,&6,000/96X144"
27	1	034-571	Fitting, Tee 022t-6-6	5,&6,000/144"
28	2	034-504	Adapter, Fitting 0103-6-6	5,&6,000/144"
29	2	034-551	Fitting, Tee 033T-6-6	5,&6,000/144"
30	2	034-599	Fitting Elbow Forged #6mp-4mp-90	5,&6,000/144"
31	2	033-663	Velocity Fuse 7.5 GPM	5,&6,000/144"
32	1	302-5002	Lip Assy,60"(18"Lg,4&5#)1pc Lp	5,000/144"
32	1	302-5002-7	Lip Assy,60"(18"Lg,4&5#)1pc Lp	6,000/144"
33	1	312-5080-7	Guard Rail, Right Side 144"Deck	5,&6,000/144"
34	1	312-5081-7	Guard Rail, Left Side 144"Deck	5,&6,000/144"
35	1	091-023-0600	Chain (60"Lg) [3/16"Proof Coil Galvanized]	5,&6,000/144"
36	2	091-023-0540	Chain (54"Lg) 3/16"Proof Coil Galvanized	5,&6,000/60X144"
36	2	091-023-0660	Chain (66"Lg) 3/16"Proof Coil Galvanized	5,&6,000/72X144"
36	2	091-023-0780	Chain (78"Lg) 3/16"Proof Coil Galvanized	5,&6,000/84X144"
36	2	091-023-0900	Chain (90"Lg) 3/16"Proof Coil Galvanized	5,&6,000/96X144"
37	2	R3-19203	Hook Snap 4"Lg - 7/16"-20	5,&6,000/144"
38	3	034-674	Fitting - 1/4" M X 3/8" Comp	5,&6,000/144"
39	1	034-673	Fitting Nylon Tee - (3/8" Comp)	5,&6,000/144"
40	2	035-085	Fitting, Tee	5,&6,000/144"
41	2	091-000-0100	Tubing Black Nylon (3/8"X10"LG)	5,&6,000/60X144"
41	2	091-000-0160	Tubing Black Nylon (3/8"X16"LG)	5,&6,000/72-84X144"
41	2	091-000-0280	Tubing Black Nylon (3/8"X28"LG)	5,&6,000/96X144"
42	2	091-000-0064	Tubing Black Nylon (3/8"X6-1/2"LG)	5,&6,000/144"
43	1	300-5001-40	Hose, #8 HP (156"Lg) Str.Swivel(2)	5,&6,000/60X144"
43	1	300-5001-41	Hose, #8 HP (168"Lg) Str.Swivel(2)	5,&6,000/72X144"
43	1	300-5001-43	Hose, #8 HP (180"Lg) Str.Swivel(2)	5,&6,000/84X144"
43	1	300-5001-45	Hose, #8 HP (192"Lg) Str.Swivel(2)	5,&6,000/96X144"
44	1	300-5006-6	Vent Line Kit (31'lg)	5,&6,000/60X144"
44	1	300-5006-7	Vent Line Kit (32'lg)	5,&6,000/72X144"
44	1	300-5006-8	Vent Line Kit (33'lg)	5,&6,000/84X144"
44	1	300-5006-9	Vent Line Kit (34'lg)	5,000/96X144"
45	4	300-5000-1	Hose, #6 HP 6" LG Str. Swivel(2)	5,&6,000/144"
46	1	121-616-1	Bar, Lip Hinge	5,000/144"
46	1	106-205	Bar, Lip Hinge	6,000/144"
47	2	013-005	Pin, Spring	5,000/144"
47	2	013-010	Pin, Spring	6,000/144"

**7.7.1 Cylinder Assembly- 5 & 6,000 lb. Cap. - 144" Deck Length**

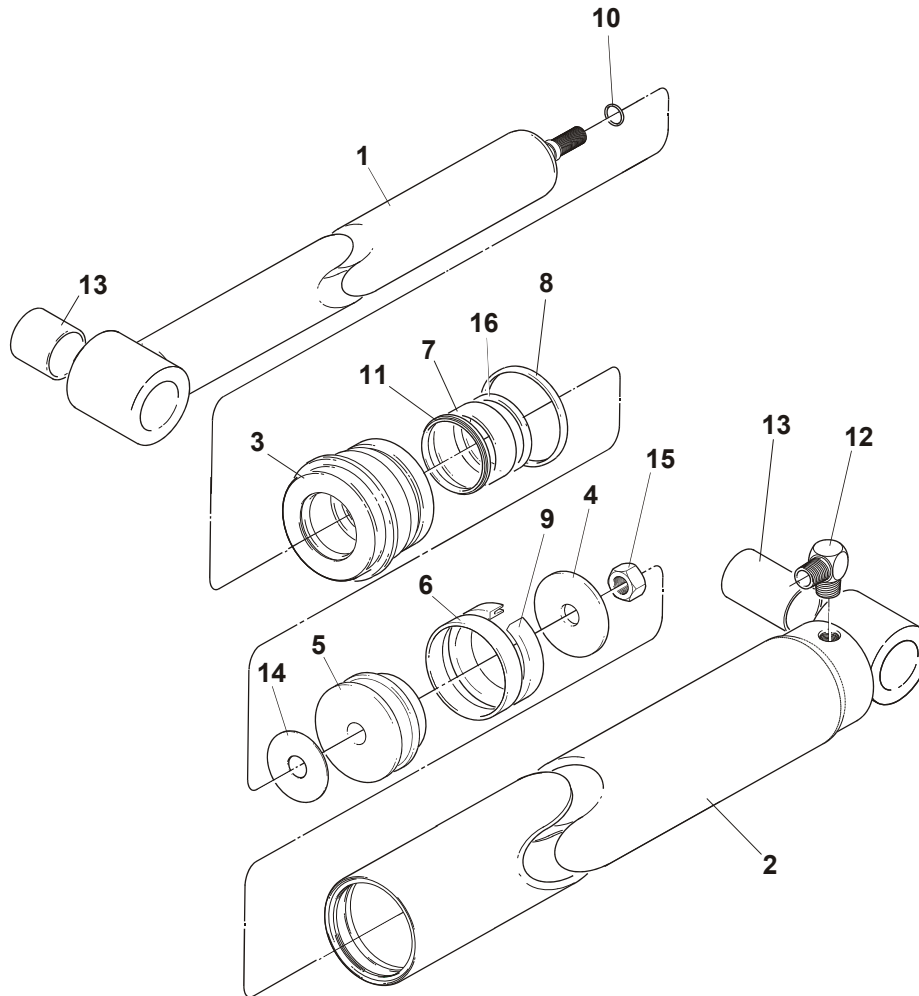


Figure 20 : Cylinder Assembly - 5, & 6,000 lb. - 144" Deck Length

Item	Qty	Part No	General Description	Specific Description
-	-	<b>780-144-222</b>	<b>Cylinder Ass'y (3-1/2"Dia) [22-1/4" Stroke]</b>	<b>5,&amp;6,000/144"</b>
1	1	786-855	Ram Assy 3", 3-1/2", & 4"	5,&6,000/144"
2	1	780-145	Housing Weldment (4"Dia)	5,&6,000/144"
3	1	117-966	Headnut 3-1/2" Dia. Cyl (2" Dia. Rod)	5,&6,000/144"
4	1	114-979	Piston Washer - (3-1/2" Dia)	5,&6,000/144"
5	1	114-639	Piston - 3-1/2"Dia Cyl	5,&6,000/144"
6●	1	036-155	Wear Ring Pist.Wd.3-1/2x1/2	5,&6,000/144"
7●	1	036-182	Wear Ring - 3" X .125" Thick	5,&6,000/144"
8●	1	036-131	O-Ring - 3-1/2"OD X 3-3/4"ID	5,&6,000/144"
9●	1	036-111	U-Cup - 3-1/2" X 2-7/8" X 1/2"	5,&6,000/144"
10●	1	036-108	O-Ring - 3/4"OD X 5/8"ID X 1/16"	5,&6,000/144"
11●	1	036-021	Wiping Ring - 2"ID	5,&6,000/144"
12	1	034-500	Fitting, 6-6	5,&6,000/144"
13	2	018-027	Bushing	5,&6,000/144"
14●	1	117-993	Gasket	5,&6,000/144"
15	1	011-530	Nut, Hex Jam - 3/4"-10	5,&6,000/144"
16●	1	036-176	O-Ring (2-1/4" OD X 2" ID)	5,&6,000/144"
-	-	<b>783-557</b>	<b>Seal Kit Includes Items Marked (●)</b>	<b>5,&amp;6,000/144"</b>

**8. Parts Listings - Stationary Elevating Docks - 14" Lowered Height**

**8.1 General Assembly - 4,5,6 & 8,000 lb. Cap. - 96" Deck Length**

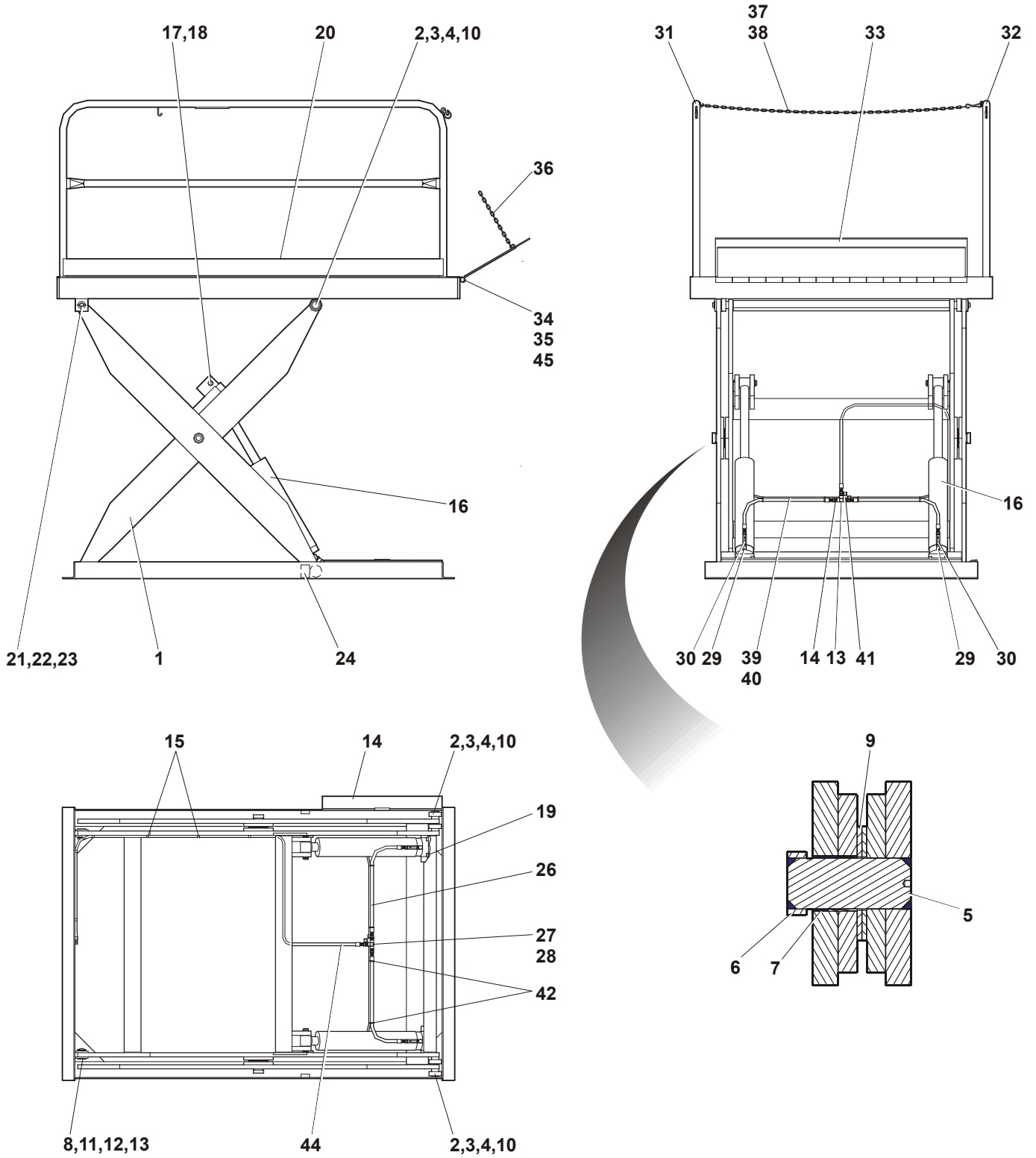


Figure 21 : General Assembly - 4,5,6 & 8,000 lb. - 96" Deck Length

**General Assembly - 4,5,6 & 8,000 lb. Cap. - 96" Deck Length**

Item	Qty	Part No	General Description	Specific Description
-	-	-	<b>General Assy 4,5,6 &amp; 8,000 - 96" Deck Length</b>	<b>14" Lowered Height REF. Drwg. 310-5206</b>
1*	1	313-5048	Frame/Leg Weldment	4,&5,000/60X96"
1*	1	313-5049	Frame/Leg Weldment	4,&5,000/72X96"
1*	1	313-5049	Frame/Leg Weldment	4,&5,000/84X96"
1*	1	313-5050	Frame/Leg Weldment	4,&5,000/96X96"
1*	1	313-5053	Frame/Leg Weldment	6,000/60X96"
1*	1	313-5054	Frame/Leg Weldment	6,000/72-84X96"
1*	1	313-5055	Frame/Leg Weldment	6,000/96X96"
1*	1	313-5058	Frame/Leg Weldment	8,000/60X96"
1*	1	313-5059	Frame/Leg Weldment	8,000/72-84X96"
1*	1	313-5060	Frame/Leg Weldment	8,000/96X96"
2	4	019-022	Bearing, 80x40x18mm	4,&5,000/96"
2	2	019-001	Bearing, 80x40x18mm	6,&8,000/96"
3	4	011-066	Capscrew, Hex Socket F/H - 5/16"-18 X 3/4"	4,5,6,&8,000/96"
4	2	013-005	Spring Pin 5/32"x1"Lg	4,5,6,&8,000/96"
5	2	114-605	Leg Centre Pin - 3/4" Thick Leg (4-3/8" Lg)	4,5,&6,000/96"
5	2	114-651	Leg Centre Pin 1" Thk Leg (4-7/8" Lg)	8,000/96"
6	2	114-606	Collar - 2" (Centre Pin Mod Ed)	4,5,6,&8,000/96"
7	2	018-032	Bushing - 2"IDx1-1/2"LG	4,5,&6,000/96"
7	2	018-033	Bushing - 2" IDx1-3/4"LG	8,000/96"
8	4	018-051	Bushing - 1"IDx3/4"LG	4,5,&6,000/96"
8	4	018-061	Bushing - 1"IDx1"LG	8,000/96"
9	2	012-219	Washer, Flat Pl- 2.13" IDx4.5"ODx0.187" THK	4,5,6,&8,000/96"
10	4	121-684	Ring-Spacer (1-7/8" O.D)	4,&5,000/96"
11	2	798-048	Pin Ass'y (3/4" Thick Legs)	4,5,&6,000/96"
11	2	798-043	Pin Ass'y (3/4" Thick Legs)	8,000/96"
12	2	013-012	Spring Pin - 1/4" X 2	4,&5,000/96"
13	6	106-389	Spacer Washer, 1-3/4"Odx1"IDx1/16"THK	4,&5,000/96"
14	1	822-440	Strut Weldment, Maintenance	4,&5,000/96"
15	8	035-262	Strap (#6 Hose Clamp)	4,&5,000/96"
16**	2	780-140-200	<b>Cylinder Ass'y (3"Dia) [20"Stroke]</b>	<b>4,&amp;5,000/60X96"</b>
16**	2	780-140-204	<b>Cylinder Ass'y (3"Dia) [20-1/2"Stroke]</b>	<b>4,&amp;5,000/72X96, 5/84X96"</b>
16**	2	780-140-200	<b>Cylinder Ass'y (3"Dia) [20"Stroke]</b>	<b>4,000/84X96, 5,000/96X96</b>
16**	2	780-144-200	<b>Cylinder Ass'y (3-1/2"Dia) [20"Stroke]</b>	<b>6,000/96"</b>
16**	2	780-142-200	<b>Cylinder Ass'y (4"Dia) [20"Stroke]</b>	<b>8,000/60,96X96"</b>
16**	2	780-142-204	<b>Cylinder Ass'y (4"Dia) [20-1/2"Stroke]</b>	<b>8,000/72-84X96"</b>
17	2	114-993	Pin-Cylinder Pivot	4,5,6,&8,000/96"
18	4	013-036	Retaining Ring Ext. - 1-1/4"ld	4,5,6,&8,000/96"
19	4	104-476	Lip Stop (3/4"X5/8")	4,5,6,&8,000/96"
20	1	312-5193	Deck Ass'y S2 4,5,&6,000/60x96	4,5,&6,000/60X96"
20	1	312-5194	Deck Ass'y S2 4,5,&6,000/72X96	4,5,&6,000/72X96"
20	1	312-5195	Deck Ass'y S2 4,&5,000/84X96	4,&5,000/84X96"
20	1	312-5196	Deck Ass'y S2 4,5,&6,000/96X96	4,5,&6,000/96X96"
20	1	312-5197-3	Deck Ass'y S2 6,000/84X96	6,000/84X96"
20	1	312-5247-1	Deck Ass'y S2 8,000/60X96	8,000/60X96"
20	1	312-5247-2	Deck Ass'y S2 8,000/72X96	8,000/72X96"
20	1	312-5247-3	Deck Ass'y S2 8,000/84X96	8,000/84X96"
20	1	312-5247-4	Deck Ass'y S2 8,000/96X96	8,000/96X96"
20	1	312-5025	Deck Ass'y S3-(Tapered) 4,5,&6,000/60x96	4,5,&6,000/60X96"
20	1	312-5026	Deck Ass'y S3-(Tapered) 4,5,&6,000/72X96	4,5,&6,000/72X96"
20	1	312-5027	Deck Ass'y S3-(Tapered) 4,5,&6,000/84X96	4,5,&6,000/84X96"
20	1	312-5028	Deck Ass'y S3-(Tapered) 4,5,&6,000/96X96	4,5,&6,000/96X96"
20	1	312-5251-1	Deck Ass'y S3-(Tapered) 8,000/60X96	8,000/60X96"
20	1	312-5251-2	Deck Ass'y S3-(Tapered) 8,000/72X96	8,000/72X96"

\* - INDENTED SUB-ASSEMBLY – SHOWN ON SAME PAGE

\*\* - SUBASSEMBLY - SHOWN ON SEPARATE PAGE

Continued...

## General Assembly - 4,5,6 & 8,000 lb. Cap. - 96" Deck Length

Item	Qty	Part No	General Description	Specific Description
20	1	312-5251-3	Deck Ass'y S3-(Tapered) 8,000/84X96	8,000/84X96"
20	1	312-5251-4	Deck Ass'y S3-(Tapered) 8,000/96X96	8,000/96X96"
21	2	798-048	Pin Ass'y - (3/4" Thick Legs)	4,5,&6,000/96"
21	2	798-043	Pin Ass'y - (1" Thick Legs)	8,000/96"
22	6	106-389	Spacer Washer - 1-3/4"ODx1"IDx1/16"THK	4,5,6,&8,000/96"LG.
23	2	013-012	Spring Pin - 1/4" X 2"	4,5,6,&8,000/96"LG.
24	2	103-445	Roller Stop	4,5,6,&8,000/96"
25	1.5GA	039-066	Paint, Blue (Fast Dry Enamel)	4,5,6,&8,000/96"
26	2	300-5000-15	Hose, #6 Hp (26"Lg) Str.Swivel(2)	4,5,6,&8,000/60X96"
26	2	300-5000-14	Hose, #6 Hp (25"Lg) Str.Swivel(2)	4,000/72X96"
26	2	300-5000-48	Hose, #6 Hp (38"Lg) Str.Swivel(2)	4,000/84X96"
26	2	300-5000-49	Hose, #6 Hp (54"Lg) Str.Swivel(2)	4,5,6,&8,000/96X96"
26	2	300-5000-20	Hose, #6 Hp (34"Lg) Str.Swivel(2)	5,&6,000/72X96"
26	2	300-5000-14	Hose, #6 Hp (25"Lg) Str.Swivel(2)	5,&6,000/84X96"
26	2	300-5000-14	Hose, #6 Hp (25"Lg) Str.Swivel(2)	8,000/72-84X96"
27	1	034-571	Fitting, Tee 022T-6-6	4,5,6,&8,000/96"LG.
28	2	034-504	Adapter, Fitting 0103-6-6	4,5,6,&8,000/96"LG.
29	2	034-599	Fitting Elbow Forged #6MP-4MP-90°	4,5,6,&8,000/96"LG.
30	2	033-563	Velocity Fuse, 4.0GPM	4,&5,000/96"
30	2	033-663	Velocity Fuse, 7.5GPM	6,&8,000/96"
31	1	312-5080-4	Guard Rail, Right Side 96"Deck	4,5,6,&8,000/96"LG.
32	1	312-5076	Guard Rail Weld (84-1/2"X45")	4,5,6,&8,000/96"LG.
33	1	302-5002-2	Lip Assy,60" (12"LG,6#)	4,000/60X96"
33	1	302-5002	Lip Assy ,60"(18"LG,4&5#)	4,000/72X96"
33	1	302-5002-2	Lip Assy,60" (12"LG,6#)	4,000/84-96X96"
33	1	302-5002	Lip Assy ,60"(18"LG,4&5#)	5,000/84X96"
33	1	302-5002-2	Lip Assy,60" (12"LG,6#)	5,000/96X96"
33	1	302-5002-7	Lip Assy,60" (18"LG,6#)	6,000/96"
33	1	302-5007-3	Lip Assy,60" (18"LG,8#)	8,000/96"
33	1	302-5002-7	Lip Assy,60" (18"LG,6#)	8,000/72,84,96X96"
34	1	121-616-1	Bar For Lip Hinge (60"Lg)	4,5,6,&8,000/96"LG.
34	1	106-205	Bar For Lip Hinge (60"Lg)	6,000/96"
34	1	809-483	Shaft, Lip (29-1/2"LG)	8,000/60,84,96X96"
34	1	106-205	Bar For Lip Hinge (60"Lg)	8,000/72X96"
35	1	013-005	Spring Pin 5/32"X1"Lg	4,5,6,&8,000/96"
35	1	013-011	Spring Pin -1/4" X 1-3/8"	6,&8,000/96"
36	1	091-023-0600	Chain (60"Lg) 3/16"	4,5,6,&8,000/96"
37	2	091-036-0420	Chain - 1/8"Galvanized) (42"Lg)	4,000/60X96"
37	2	091-023-0660	Chain - 3/16"Galvanized 66"	4,5,&6,000/72X96"
37	2	091-023-0780	Chain - 3/16"Galvanized 78"	4,&5,000/84X96"
37	2	091-023-0900	Chain - 3/16"Galvanized 90"	4,5,6,&8,000/96X96"
37	2	091-023-0540	Chain - 3/16"Galvanized 54"	5,6,&8,000/60X96"
37	2	091-023-0780	Chain - 3/16"Galvanized 78"	6,000/84x96"
37	2	091-023-0660	Chain - 3/16"Galvanized 66"	8,000/72X96"
37	2	091-023-0780	Chain - 3/16"Galvanized 78"	8,000/84x96"
38	2	R3-19203	Hook Snap 4"Lg	4,5,6,&8,000/96"
39	2	034-674	Fitting, 1/4" M X 3/8" COMP	4,5,6,&8,000/96"
40	2	091-000-0460	Tubing, Black Nylon 3/8" X46"	4,5,6,&8,000/60X96"
40	2	091-000-0520	Tubing, Black Nylon 3/8" X52"	4,5,6,&8,000/72-84X96"
40	2	091-000-0640	Tubing, Black Nylon 3/8" X64"	4,5,6,&8,000/96X96"
41	1	034-673	Fitting Nylon Tee - 3/8" Comp,	4,5,6,&8,000/96"
42	4	025-087	Cable Ties	4,5,6,&8,000/96"
43	1	300-5006-2	Vent Line Kit (27'lg) (Not Shown)	4,5,6,&8,000/60X96"
43	1	300-5006-3	Vent Line Kit (28'lg) (Not Shown)	4,5,6,&8,000/72X96"
43	1	300-5006-4	Vent Line Kit (29'lg) (Not Shown)	4,5,6,&8,000/84X96"
43	1	300-5006-5	Vent Line Kit (30'lg) (Not Shown)	4,5,6,&8,000/96X96"
44	1	300-5001-38	Hose, #8 HP (144"Lg) Str. Swivel(2)	4,000/72X96"
44	1	300-5001-38	Hose, #8 HP (144"Lg) Str. Swivel(2)	5,6,000/84X96"
44	1	300-5001-38	Hose, #8 HP (144"Lg) Str. Swivel(2)	8,000/72-84X96"
45	1	120-353	Torsion Spring - Spring Assist Lip	8,000/60,96X96"



**8.1.1 Cylinder Assembly- 4,5,6 & 8,000 lb. Cap. - 96" Deck Length**

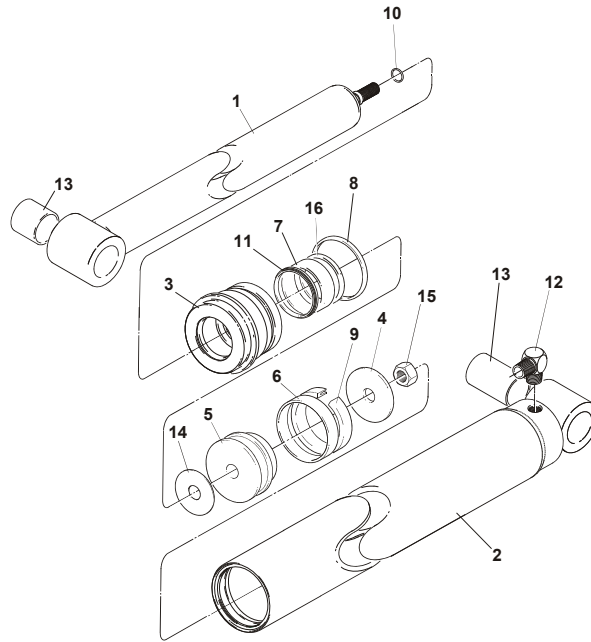


Figure 22 : Cylinder Assembly - 4,5,6 & 8,000 lb. - 96" Deck Length

Item	Qty	Part No	General Description	Specific Description
-	-	780-140-200	Cylinder Ass'y (3"Dia) [20"Stroke]	4,&5,000/96"
-	-	780-140-204	Cylinder Ass'y (3"Dia) [20-1/2"Stroke]	5,000/84X96"
-	-	780-144-200	Cylinder Ass'y (3-1/2"Dia) [20"Stroke]	6,000/96"
-	-	780-142-200	Cylinder Ass'y (4"Dia) [20"Stroke]	8,000/60,96X96"
-	-	780-142-204	Cylinder Ass'y (4"Dia) [20-1/2"Stroke]	8,000/72-84X96"
1	1	786-855	Ram Assy 3", 3-1/2", & 4"	4,&5,000/96"
2	1	783-556	Housing Weldment (3"Dia)	4,&5,000/96"
2	1	780-145	Housing Weldment (3-1/2"Dia)	6,000/96"
2	1	783-573	Housing Weldment (4"Dia)	8,000/96"
3	1	117-991	Headnut 3" Dia. Cyl (2" Dia. Rod)	4,&5,000/96"
3	1	117-966	Headnut 3-1/2" Dia. Cyl (2" Dia. Rod)	6,000/96"
3	1	117-989	Headnut 4" Dia. Cyl (2" Dia. Rod)	8,000/96"
4	1	114-978	Piston Washer - (3" Dia)	4,&5,000/96"
4	1	114-979	Piston Washer - (3-1/2" Dia)	6,000/96"
4	1	114-980	Piston Washer - (4" Dia)	8,000/96"
5	1	114-640	Piston - 3"Dia Cyl	4,&5,000/96"
5	1	114-639	Piston - 3.5"Dia Cyl	6,000/96"
5	1	114-638	Piston - 4"Dia Cyl	8,000/96"
6●	1	036-154	Wear Ring Pist.Wd.3x1/2	4,&5,000/96"
6●	1	036-155	Wear Ring Pist.Wd.3-1/2x1/2	6,000/96"
6●	1	036-156	Wear Ring Pist.Wd.3-1/2x1/2	8,000/96"
7●	1	036-182	Wear Ring - 3" X .125" Thick	4,5,6 & 8,000/96"
8●	1	036-132	O-Ring - 3"OD X 2-3/4"ID	4,&5,000/96"
8●	1	036-131	O-Ring - 3-1/2"OD X 3-3/4"ID	6,000/96"
8●	1	036-130	O-Ring - 4"OD X 3-3/4"ID	8,000/96"
9●	1	036-112	U-Cup - 3" X 2-3/8" X 1/2"	4,&5,000/96"
9●	1	036-111	U-Cup - 3-1/2" X 2-7/8" X 1/2"	6,000/96"
9●	1	036-116	U-Cup - 4" X 3-3/8" X 1/2"	8,000/96"
10●	1	036-108	O-Ring - 3/4"OD X 5/8"ID X 1/16"	4,5,6 & 8,000/96"
11●	1	036-021	Wiping Ring - 2"ID	4,5,6 & 8,000/96"
12	1	034-500	Fitting, 6-6	4,5,6 & 8,000/96"
13	2	018-027	Bushing	4,5,6 & 8,000/96"
14●	1	117-993	Gasket	4,5,6 & 8,000/96"
15	1	011-530	Nut, Hex Jam - 3/4"-10	4,5,6 & 8,000/96"
16●	1	036-176	O-Ring (2-1/4" OD X 2" ID)	4,5,6 & 8,000/96"
-	-	783-553	Seal Kit Includes Items Marked (●)	3" Cylinder
-	-	783-557	Seal Kit Includes Items Marked (●)	3-1/2" Cylinder
-	-	783-572	Seal Kit Includes Items Marked (●)	4" Cylinder

8.2 General Assembly - 4,5,6 & 8,000 lb. Cap. - 108" Deck Length

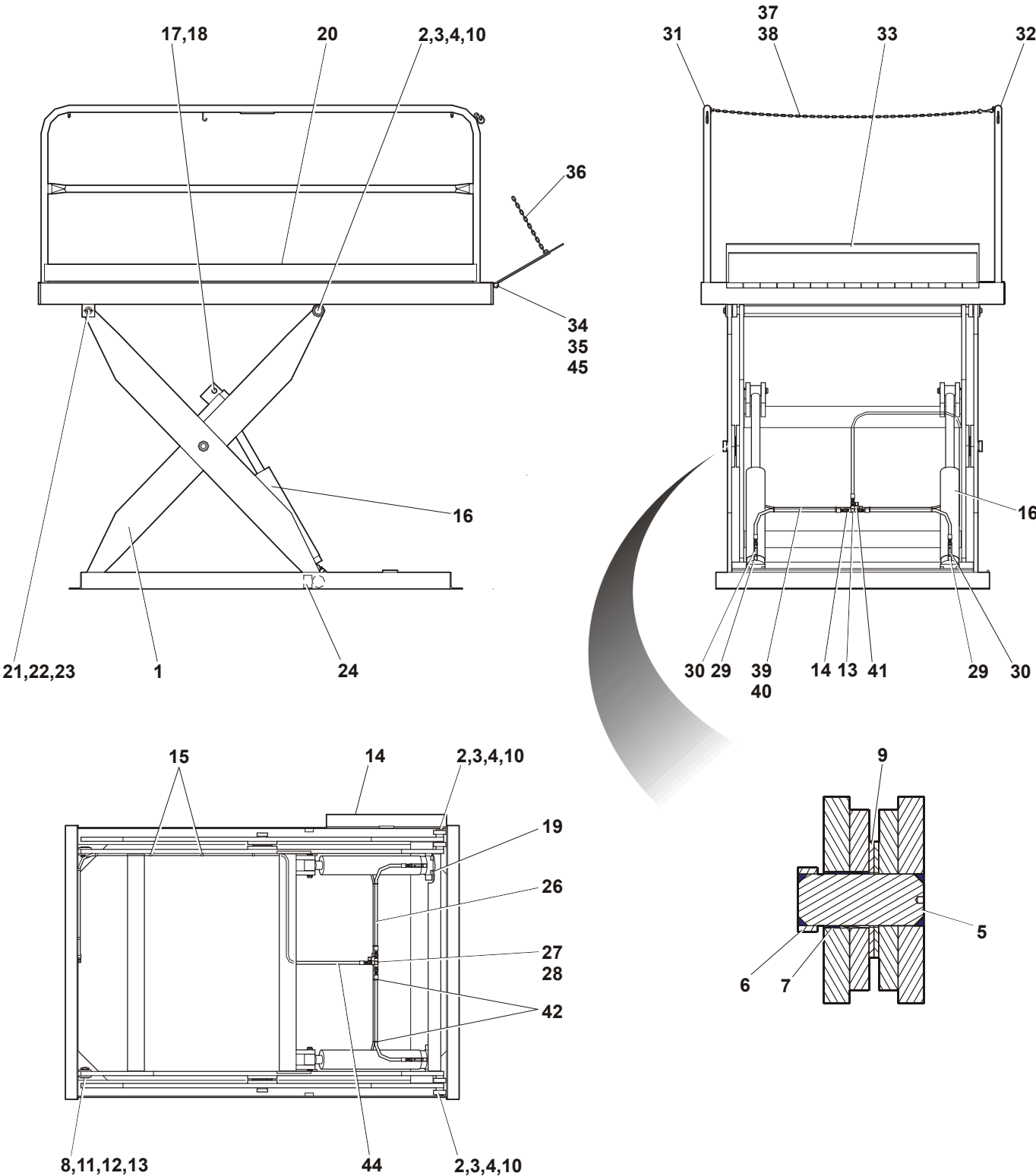


Figure 23 : General Assembly 4,5,6 & 8,000 lb. - 108" Deck Length

**General Assembly - 4,5,6 & 8,000 lb. Cap. - 108" Deck Length**

Item	Qty	Part No	General Description	Specific Description
			<b>General Assy 4,5,6 &amp; 8,000 - 108" Deck Lg.</b>	<b>REF Drwg. 310-5227</b>
-	-	313-5048	Frame/Leg Weldment	4,&5,000/60X108"
-	-	313-5049	Frame/Leg Weldment	4,&5,000/72X108"
-	-	313-5049	Frame/Leg Weldment	4,&5,000/84X108"
-	-	313-5050	Frame/Leg Weldment	4,&5,000/96X108"
-	-	313-5053	Frame/Leg Weldment	6,000/60X108"
-	-	313-5054	Frame/Leg Weldment	6,000/72-84X108"
-	-	313-5055	Frame/Leg Weldment	6,000/96X108"
-	-	313-5058	Frame/Leg Weldment	8,000/60X108"
-	-	313-5059	Frame/Leg Weldment	8,000/72-84X108"
-	-	313-5060	Frame/Leg Weldment	8,000/96X108"
2	4	019-022	Bearing, 80x40x18mm	4,&5,000"
2	2	019-001	Bearing, 3"OD X 1-5/8"ID X 1"W	6,&8,000"
3	4	011-066	Capscrew, Hex Sckt F/H-5/16"-18 X 3/4"	4,5,6,&8,000"
4	2	013-005	Spring Pin 5/32"x1"Lg	4,5,6,&8,000"
5	2	114-605	Leg Centre Pin-3/4" Thick Leg (4-3/8" Lg)	4,5,&6,000"
5	2	114-651	Leg Centre Pin 1" Thk Leg (4-7/8" Lg)	8,000"
6	2	114-606	Collar - 2" (Centre Pin Mod Ed)	4,5,6,&8,000"
7	2	018-032	Bushing - 2"IDx1-1/2"LG	4,5,&6,000"
7	2	018-033	Bushing - 2" IDx1-3/4"LG	8,000"
8	4	018-051	Bushing - 1"IDx3/4"LG	4,5,&6,000"
8	4	018-061	Bushing - 1"IDx1"LG	8,000"
9	2	012-219	Washer,Flat-2.13" IDx4.5"ODx0.187" THK	4,5,6,&8,000"
10	4	121-684	Ring-Spacer (1-7/8" O.D)	4,&5,000"
11	2	798-048	Pin Ass'y (3/4" Thick Legs)	4,5,&6,000"
11	2	798-043	Pin Ass'y (3/4" Thick Legs)	8,000"
12	2	013-012	Spring Pin - 1/4" X 2	4,&5,000"
13	6	106-389	Spacer Washer, 1-1/4"ODx1"IDx1/16"THK	4,&5,000"
14	1	822-440	Strut Weldment, Maintenance	4,&5,000"
15	8	035-262	Strap (#6 Hose Clamp)	4,&5,000"
16**	2	780-140-200	<b>Cylinder Ass'y (3"Dia) [20"Stroke]</b>	<b>4,&amp;5,000"</b>
16**	2	780-144-200	<b>Cylinder Ass'y (3-1/2"Dia) [20"Stroke]</b>	<b>6,000/60,72,96X108"</b>
16**	2	780-144-204	<b>Cylinder Ass'y (3-1/2"Dia) [20-1/2"Stroke]</b>	<b>6,000/84X108"</b>
16**	2	780-142-200	<b>Cylinder Ass'y (4"Dia) [20"Stroke]</b>	<b>8,000/108"</b>
17	2	114-993	Pin-Cylinder Pivot	4,5,6,&8,000/108"
18	4	013-036	Retaining Ring Ext. - 1-1/4"Id	4,5,6,&8,000/108"
19	4	104-476	Lip Stop (3/4"X5/8")	4,5,6,&8,000/108"
20	1	312-5199	Deck Ass'y S2 4,5,&6,000/60x108	4,5,&6,000/60X108"
20	1	312-5200	Deck Ass'y S2 4,5,&6,000/72X108	4,5,&6,000/72X108"
20	1	312-5201	Deck Ass'y S2 4,5,&6,000/84X108	4,5,&6,000/84X108"
20	1	312-5202	Deck Ass'y S2 4,5,&6,000/96X108	4,5,&6,000/96X108"
20	1	312-5248-1	Deck Ass'y S2 8,000/60X108	8,000/60X108"
20	1	312-5248-2	Deck Ass'y S2 8,000/72X108	8,000/72X108"
20	1	312-5248-3	Deck Ass'y S2 8,000/84X108	8,000/84X108"
20	1	312-5248-4	Deck Ass'y S2 8,000/96X108	8,000/96X108"

\* - INDENTED SUB-ASSEMBLY – SHOWN ON SAME PAGE

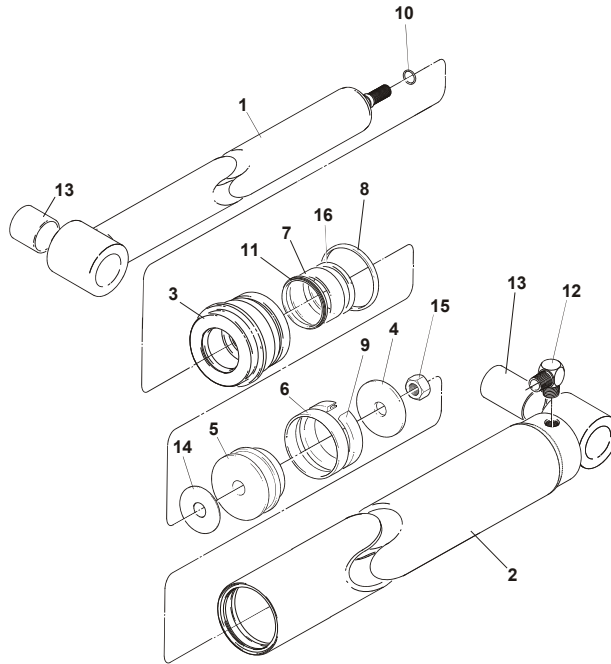
\*\* - SUBASSEMBLY SHOWN OWN SEPARATE PAGE

Continued...

## General Assembly - 4,5,6 & 8,000 lb. Cap. - 108" Deck Length

Item	Qty	Part No	General Description	Specific Description
20	1	312-5037	Deck Ass'y S3-(Tapered) 4,5,&6,000/60x96	4,5,&6,000/60X108"
20	1	312-5038	Deck Ass'y S3-(Tapered) 4,5,&6,000/72X96	4,5,&6,000/72X108"
20	1	312-5039	Deck Ass'y S3-(Tapered) 4,5,&6,000/84X96	4,5,&6,000/84X108"
20	1	312-5040	Deck Ass'y S3-(Tapered) 4,5,&6,000/96X96	4,5,&6,000/96X108"
20	1	312-5251-1	Deck Ass'y S3-(Tapered) 8,000/60X96	8,000/60X108"
20	1	312-5243-2	Deck Ass'y S3-(Tapered) 8,000/72X96	8,000/72X108"
20	1	312-5243-3	Deck Ass'y S3-(Tapered) 8,000/84X96	8,000/84X108"
20	1	312-5243-4	Deck Ass'y S3-(Tapered) 8,000/96X96	8,000/96X108"
21	2	798-048	Pin Ass'y - (3/4" Thick Legs)	4,000"
21	2	798-043	Pin Ass'y - (1" Thick Legs)	5,6,&8,000"
22	6	106-389	Spacer Washer - 1-3/4"Odx1"Idx1/16"THK	4,5,6,&8,000/108"
23	2	013-012	Spring Pin - 1/4" X 2"	4,5,6,&8,000/108"
24	2	103-445	Roller Stop	4,5,6,&8,000/108"
25	1.5GA	039-066	Paint, Blue (Fast Dry Enamel)	4,5,6,&8,000/108"
26	2	300-5000-15	Hose, #6 Hp (26"Lg) Str.Swivel(2)	4,5,6,&8,000/108"
26	2	300-5000-20	Hose, #6 Hp (34"Lg) Str.Swivel(2)	4,5,6,&8,000/84-72X108
26	2	300-5000-48	Hose, #6 Hp (38"Lg) Str.Swivel(2)	4,5,6,&8,000/84X108"
26	2	300-5000-49	Hose, #6 Hp (54"Lg) Str.Swivel(2)	4,5,6,&8,000/96X108"
27	1	034-571	Fitting, Tee 022t-6-6	4,5,6,&8,000/108"
28	2	034-504	Adapter, Fitting 0103-6-6	4,5,6,&8,000/108"
29	2	034-599	Fitting Elbow Forged #6mp-4mp-90	4,5,6,&8,000/108"
30	2	033-563	Velocity Fuse, 4.0gpm	4,&5,000"
30	2	033-663	Velocity Fuse, 7.5gpm	6,&8,000"
31	1	312-5080-5	Guard Rail, Right Side 108"Deck	4,5,6,&8,000/108"
32	1	312-5077	Guard Rail Weld (96-1/2"X45")	4,5,6,&8,000/108"
33	1	302-5002	Lip Assy,60" (18"LG)	4,&5,000/108"
33	1	302-5002-7	Lip Assy,60" (18"LG,6#)	6,000/108"
33	1	302-5002-12	Lip Assy,60" (18"LG,8#)	8,000/108"
34	1	121-616-1	Bar For Lip Hinge (60"Lg)	4,&5,000/108"
34	1	106-205	Bar For Lip Hinge (60"Lg)	6,&8,000/108"
35	2	013-005	Spring Pin 5/32"X1"Lg	4,&5,000/108"
35	2	013-011	Spring Pin -1/4" X 1-3/8"	6,&8,000/108"
36	1	091-023-0600	Chain (60"Lg) 3/16"	4,5,6,&8,000/108"
37	2	091-023-0540	Chain - 3/16"Galvanized 54"	4,5,6,&8,000/60X108"
37	2	091-023-0660	Chain - 3/16"Galvanized 66"	4,5,6,&8,000/72X108"
37	2	091-023-0780	Chain - 3/16"Galvanized 78"	4,5,6,&8,000/84X108"
37	2	091-023-0900	Chain - 3/16"Galvanized 90"	4,5,6,&8,000/96X108"
38	2	R3-19203	Hook Snap 4"Lg	4,5,6,&8,000/108"
39	2	034-674	Fitting, 1/4" M X 3/8" COMP	4,5,6,&8,000/108"
40	2	091-000-0460	Tubing, Black Nylon 3/8" X46"	4,5,6,&8,000/60X108"
40	2	091-000-0520	Tubing, Black Nylon 3/8" X52"	4,5,6,&8,000/72-84X108
40	2	091-000-0640	Tubing, Black Nylon 3/8" X64"	4,5,6,&8,000/96X108"
41	1	034-673	Fitting Nylon Tee - 3/8" Comp,	4,5,6,&8,000/108".
42	4	025-087	Cable Ties	4,5,6,&8,000/108"
43	1	300-5006-3	Vent Line Kit (28'lg)	4,5,6,&8,000/60X108"
43	1	300-5006-4	Vent Line Kit (29'lg)	4,5,6,&8,000/72X108"
43	1	300-5006-5	Vent Line Kit (30'lg)	4,5,6,&8,000/84X108"
43	1	300-5006-6	Vent Line Kit (31'lg)	4,5,6,&8,000/96X108"
44	1	300-5001-37	Hose, #8 HP (138"Lg) Str. Swivel(2)	6,000/84X108"
44	1	300-5001-37	Hose, #8 HP (138"Lg) Str. Swivel(2)	8,000/72X108"
45	2	120-353	Torsion Spring - Spring Assist Lip	8,000/60,84,96X108"

**8.2.1 Cylinder Assembly- 4,5,6 & 8,000 lb. Cap. - 108" Deck Length**



**Figure 24 : Cylinder Assembly - 4,5,6 & 8,000 lb. - 108" Deck Length**

Item	Qty	Part No	General Description	Specific Description
-	-	780-140-200	Cylinder Ass'y (3"Dia) [20"Stroke]	4,&5,000/108"
-	-	780-144-200	Cylinder Ass'y (3-1/2"Dia) [20"Stroke]	6,000/60,72,96X108"
-	-	780-144-204	Cylinder Ass'y (3-1/2"Dia) [20-1/2"Stroke]	6,000/84X108"
-	-	780-142-200	Cylinder Ass'y (4"Dia) [20"Stroke]	8,000/108"
1	1	786-855	Ram Assy 3", 3-1/2", & 4"	4,&5,000/108"
2	1	783-556	Housing Weldment (3"Dia)	4,&5,000/108"
2	1	780-145	Housing Weldment (3-1/2"Dia)	6,000/108"
2	1	783-573	Housing Weldment (4"Dia)	8,000/108"
3	1	117-991	Headnut 3" Dia. Cyl (2" Dia. Rod)	4,&5,000/108"
3	1	117-966	Headnut 3-1/2" Dia. Cyl (2" Dia. Rod)	6,000/108"
3	1	117-989	Headnut 4" Dia. Cyl (2" Dia. Rod)	8,000/108"
4	1	114-978	Piston Washer - (3" Dia)	4,&5,000/108"
4	1	114-979	Piston Washer - (3-1/2" Dia)	6,000/108"
4	1	114-980	Piston Washer - (4" Dia)	8,000/108"
5	1	114-640	Piston - 3"Dia Cyl	4,&5,000/108"
5	1	114-639	Piston - 3.5"Dia Cyl	6,000/108"
5	1	114-638	Piston - 4"Dia Cyl	8,000/108"
6●	1	036-154	Wear Ring Pist.Wd.3x1/2	4,&5,000/108"
6●	1	036-155	Wear Ring Pist.Wd.3-1/2x1/2	6,000/108"
6●	1	036-156	Wear Ring Pist.Wd.3-1/2x1/2	8,000/108"
7●	1	036-182	Wear Ring - 3" X .125" Thick	4,5,6 & 8,000/108"
8●	1	036-132	O-Ring - 3"OD X 2-3/4"ID	4,&5,000/108"
8●	1	036-131	O-Ring - 3-1/2"OD X 3-3/4"ID	6,000/108"
8●	1	036-130	O-Ring - 4"OD X 3-3/4"ID	8,000/108"
9●	1	036-112	U-Cup - 3" X 2-3/8" X 1/2"	4,&5,000/108"
9●	1	036-111	U-Cup - 3-1/2" X 2-7/8" X 1/2"	6,000/108"
9●	1	036-116	U-Cup - 4" X 3-3/8" X 1/2"	8,000/108"
10●	1	036-108	O-Ring - 3/4"OD X 5/8"ID X 1/16"	4,5,6 & 8,000/108"
11●	1	036-021	Wiping Ring - 2"ID	4,5,6 & 8,000/108"
12	1	034-500	Fitting, 6-6	4,5,6 & 8,000/108"
13	2	018-027	Bushing	4,5,6 & 8,000/108"
14●	1	117-993	Gasket	4,5,6 & 8,000/108"
15	1	011-530	Nut, Hex Jam - 3/4"-10	4,5,6 & 8,000/108"
16●	1	036-176	O-Ring (2-1/4" OD X 2" ID)	4,5,6 & 8,000/108"
-	-	783-553	Seal Kit Includes Items Marked (●)	3" Cylinder
-	-	783-557	Seal Kit Includes Items Marked (●)	3-1/2" Cylinder
-	-	783-572	Seal Kit Includes Items Marked (●)	4" Cylinder

8.3 General Assembly - 4,5,6 & 8,000 lb. Cap. - 120" Deck Length

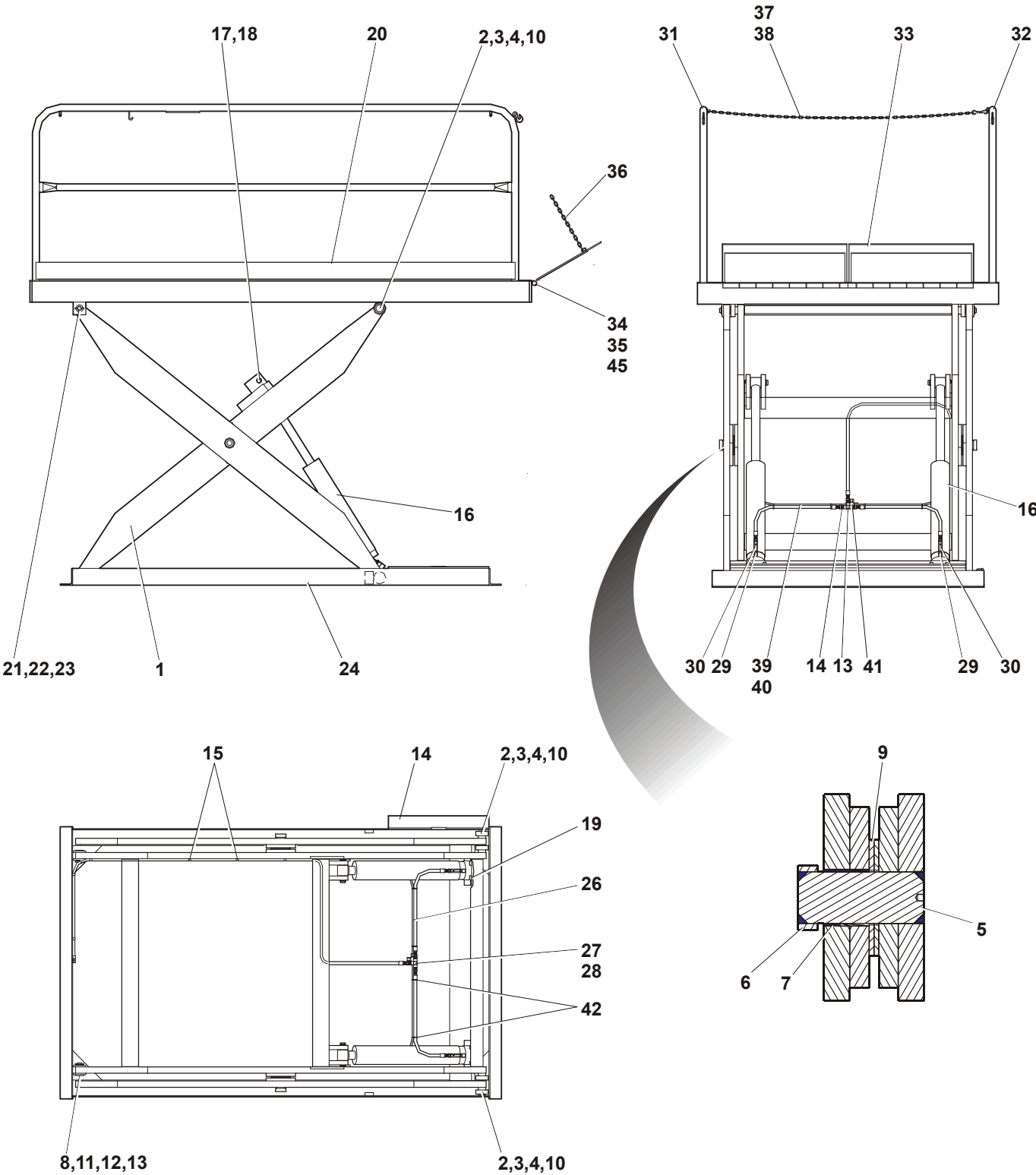


Figure 25 : General Assembly - 4,5,6 & 8,000 lb. - 120" Deck Length

**General Assembly - 4,5,6 & 8,000 lb. Cap. - 120" Deck Length**

Item	Qty	Part No	General Description	Specific Description
			<b>General Assy 4,5,6 &amp; 8,000-120" Deck Lg</b>	<b>REF. DRG. 310-5248</b>
1*	1	313-5063	Frame/Leg Weldment	4,000/60X120"
1*	1	313-5064	Frame/Leg Weldment	4,000/72X120"
1*	1	313-5064	Frame/Leg Weldment	4,&5,000/84X120"
1*	1	313-5065	Frame/Leg Weldment	4,&5,000/96X120"
1*	1	313-5068	Frame/Leg Weldment	5,000/60X120"
1*	1	313-5069	Frame/Leg Weldment	5,000/72-84X120"
1*	1	313-5070	Frame/Leg Weldment	5,000/96X120"
1*	1	313-5073	Frame/Leg Weldment	6,000/60X120"
1*	1	313-5074	Frame/Leg Weldment	6,000/72-84X120"
1*	1	313-5075	Frame/Leg Weldment	6,000/96X120"
1*	1	313-5068	Frame/Leg Weldment	8,000/60X120"
1*	1	313-5074	Frame/Leg Weldment	8,000/72-84X120"
1*	1	313-5080	Frame/Leg Weldment	8,000/96X120"
2	4	019-022	Bearing, 80x40x18mm	4,&5,000/120"
2	2	019-001	Bearing, 3"OD X 1-5/8"ID X 1"W	6,&8,000/120"
3	4	011-066	Capscrew, Hex Skt F/H - 5/16"-18 X 3/4"	4,5,6,&8,000/120"
4	2	013-005	Spring Pin 5/32"x1"LG	4,5,6,&8,000/120"
5	2	114-605	Centre Pin - 3/4" Thick Leg (4-3/8" LG)	4,000/120"
5	2	114-651	Centre Pin 1" Thk Leg (4-7/8" LG)	5,&6,000/120"
5	2	114-652	Centre Pin 1-1/2" Thk Leg (5-7/8" LG)	8,000/120"
6	2	114-606	Collar - 2" (Centre Pin Mod)	4,5,6,&8,000/120"
7	2	018-032	Bushing - 2"IDx1-1/2"LG	4,&5,000/120"
7	2	018-033	Bushing - 2" IDx1-3/4"LG	6,&8,000/120"
7	2	018-034	Bushing - 2"IDx2"LG	8,000/96x120"
8	4	018-051	Bushing - 1"IDx3/4"LG	4,000/120"
8	4	018-061	Bushing - 1"IDx1"LG	5,6,&8,000/120"
9	2	012-219	Washer, Flat -2.13"IDx4.5"ODx0.187" TH	4,5,6,&8,000/120"
10	4	121-684	Ring-Spacer (1-7/8" O.D)	4,&5,000/120"
11	2	798-048	Pin Ass'y (3/4" Thick Legs)	4,000/120"
11	2	798-043	Pin Ass'y (1" Thick Legs)	5,6,&8,000/120"
12	2	013-012	Spring Pin - 1/4"x2"	4,5,6,&8,000/120"
13	6	106-389	Washer, 1-3/4"ODx1"IDx1/16"THK	4,5,6,&8,000/120"
14	1	822-440	Strut Weldment, Maintenance	4,5,6,&8,000/120"
15	8	035-262	Strap (#6 Hose Clamp)	4,5,6,&8,000/120"
16**	2	780-140-214	<b>Cylinder Ass'y (3"Dia) [21-1/2"Stroke]</b>	<b>4,&amp;5,000/120"</b>
16**	2	780-144-214	<b>Cylinder Ass'y (3-1/2"Dia) [21-1/2"Stroke]</b>	<b>6,000/120"</b>
16**	2	780-142-214	<b>Cylinder Ass'y (4"Dia) [21-1/2"Stroke]</b>	<b>8,000/120"</b>
17	2	114-993	Pin-Cylinder Pivot	4,5,6,&8,000/120"
18	4	013-036	Retaining Ring Ext. - 1-1/4"ID	4,5,6,&8,000/120"
19	4	104-476	Lip Stop (3/4"X5/8")	4,5,6,&8,000/120"

\* - INDENTED SUB-ASSEMBLY – SHOWN ON SAME PAGE

\*\* - SUBASSEMBLY SHOWN OWN SEPARATE PAGE

Continued...

General Assembly - 4,5,6 & 8,000 lb. Cap. - 120" Deck Length

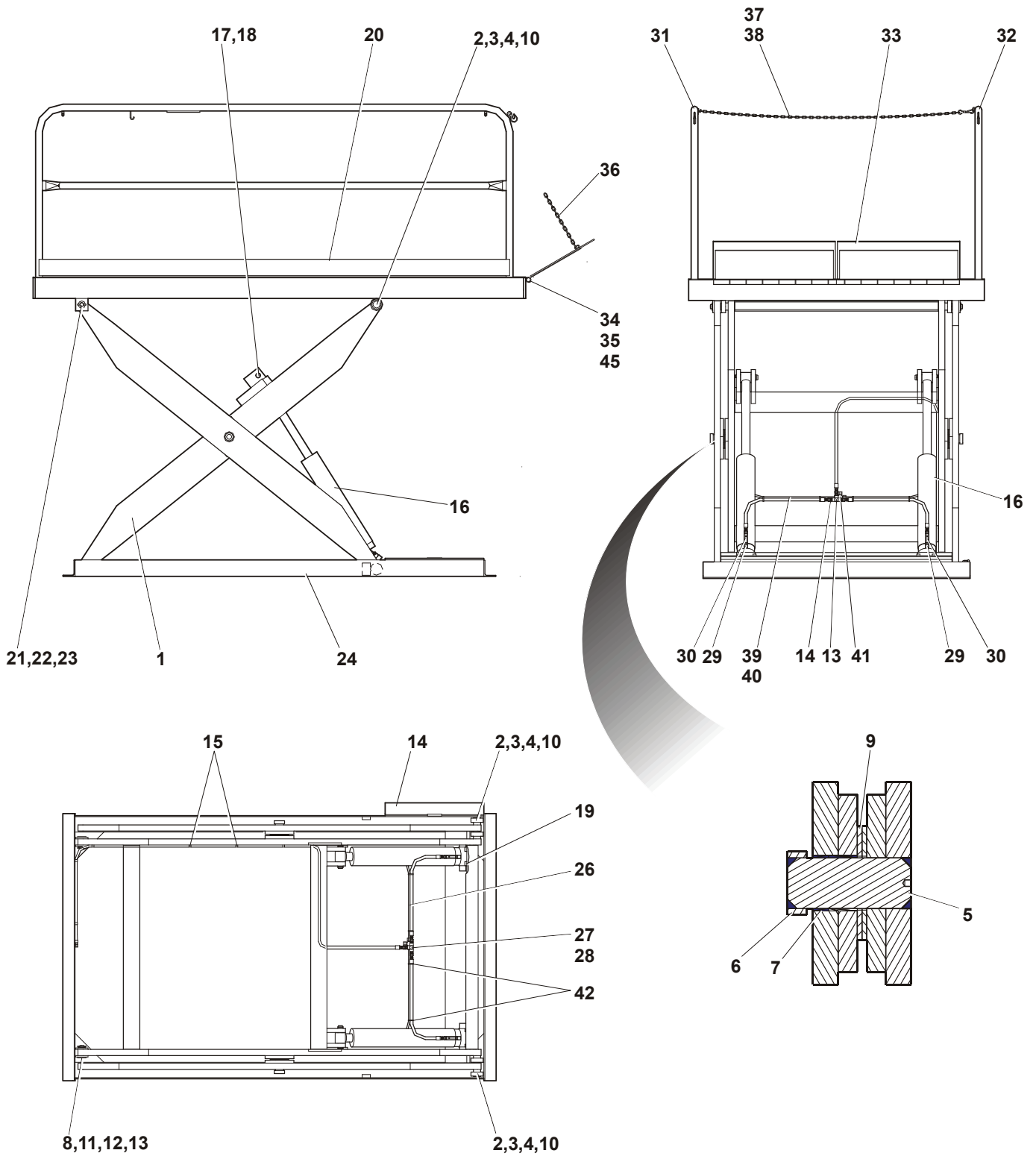


Figure 26 : General Assembly - 4,5,6 & 8,000 lb. - 120" Deck Length



**General Assembly - 4,5,6 & 8,000 lb. Cap. - 120" Deck Length**

Item	Qty	Part No	General Description	Specific Description
20	1	312-5205	Deck Ass'y S2 4,&5,000/60x120	4,5,&8,000/60X120"
20	1	312-5206	Deck Ass'y S2 4,&5,000/72X120	4,&5,000/72X120"
20	1	312-5207	Deck Ass'y S2 4,&5,000/84X120	4,&5,000/84X120"
20	1	312-5208	Deck Ass'y S2 4,&5,000/96X120	4,&5,000/96X120"
20	1	312-5209-4	Deck Ass'y S2 6,000/72X120	6,000/72X120"
20	1	312-5209-6	Deck Ass'y S2 6,000/84X120	6,000/84X120"
20	1	312-5209-8	Deck Ass'y S2 6,000/96X120	6,000/96X120"
20	1	312-5252-1	Deck Ass'y S2 8,000/60X120	8,000/60X120"
20	1	312-5252-2	Deck Ass'y S2 8,000/72X120	8,000/72X120"
20	1	312-5252-3	Deck Ass'y S2 8,000/84X120	8,000/84X120"
20	1	312-5252-4	Deck Ass'y S2 8,000/96X120	8,000/96X120"
20	1	312-5049	Deck Ass'y S3 (Tapered) 4,&5,000/60x120	4,&5,000/60X120"
20	1	312-5050	Deck Ass'y S3 (Tapered) 4,&5,000/72X120	4,&5,000/72X120"
20	1	312-5051	Deck Ass'y S3 (Tapered) 4,&5,000/84X120	4,&5,000/84X120"
20	1	312-5052	Deck Ass'y S3 (Tapered) 4,&5,000/96X120	4,&5,000/96X120"
20	1	312-5053-2	Deck Ass'y S3 (Tapered) 6,000/60X120	6,000/60X120"
20	1	312-5053-4	Deck Ass'y S3 (Tapered) 6,000/72X120	6,000/72X120"
20	1	312-5053-6	Deck Ass'y S3 (Tapered) 6,000/84X120	6,000/84X120"
20	1	312-5053-8	Deck Ass'y S3 (Tapered) 6,000/96X120	6,000/96X120"
20	1	312-5244-1	Deck Ass'y S3 (Tapered) 8,000/60X120	8,000/60X120"
20	1	312-5244-2	Deck Ass'y S3 (Tapered) 8,000/72X120	8,000/72X120"
20	1	312-5244-3	Deck Ass'y S3 (Tapered) 8,000/84X120	8,000/84X120"
20	1	312-5244-4	Deck Ass'y S3 (Tapered) 8,000/96X120	8,000/96X120"
21	2	798-048	Pin Ass'y - (3/4" Thick Legs)	4,000/120"
21	2	798-043	Pin Ass'y - (1" Thick Legs)	5,&6,000/120"
21	2	798-049	Pin Ass'y - (1-1/2" Thick Legs)	8,000/120"
22	6	106-389	Spacer Washer - 1-3/4"ODx1"IDx1/16"THK	4,5,6,&8,000/120"
23	2	013-012	Spring Pin - 1/4" X 2"	4,5,6,&8,000/120"
24	2	103-445	Roller Stop	4,5,6,&8,000/120"
25	1.5GA	039-066	Paint, Blue (Fast Dry Enamel)	4,5,6,&8,000/120"
26	2	300-5000-15	Hose, #6 HP (26"Lg) Str.Swivel(2)	4,5,6,&8,000/60X120"
26	2	300-5000-20	Hose, #6 HP (34"Lg) Str.Swivel(2)	4,5,6,&8,000/72X120"
26	2	300-5000-48	Hose, #6 HP (38"Lg) Str.Swivel(2)	4,5,6,&8,000/84X120"
26	2	300-5000-49	Hose, #6 HP (54"Lg) Str.Swivel(2)	4,5,6,&8,000/96X120"
27	1	034-571	Fitting, Tee 022t-6-6	4,5,6,&8,000/120"
28	2	034-504	Adapter, Fitting 0103-6-6	4,5,6,&8,000/120"
29	2	034-599	Fitting Elbow Forged #6MP-4MP-90	4,5,6,&8,000/120"
30	2	033-661	Velocity Fuse, 5.0 GPM	4,&5,000/120"
30	2	033-663	Velocity Fuse, 7.5 GPM	6,&8,000"
31	1	312-5080-6	Guard Rail, Right Side 120" Deck	4,5,6,&8/120"
32	1	312-5078	Guard Rail Weld (96-1/2"X45")	4,5,6,&8/120"
33	1	302-5002-2	Lip Assy,60" (12"LG,6#)	4,&5,000/120"
33	1	302-5002-7	Lip Assy,60" (18"LG,6#)	6,000/120"
33	1	302-5007-3	Lip Assy,60" (18"LG,8#)	8,000/120"
34	1	121-616-1	Bar For Lip Hinge (60"Lg)	4,&5,000/120"
34	1	106-205	Bar For Lip Hinge (60"Lg)	6,000/120"
34	2	809-483	Shaft, Lip (29-1/2"LG)	8,000/120"
35	2	013-005	Spring Pin 5/32"X1"Lg	4,&5,000/120"
35	2	013-011	Spring Pin -1/4" X 1-3/8"	6,&8,000/120"
36	1	091-023-0600	Chain (60"LG) 3/16"	4,5,6,&8,000/120"

General Assembly - 4,5,6 & 8,000 lb. Cap. - 120" Deck Length

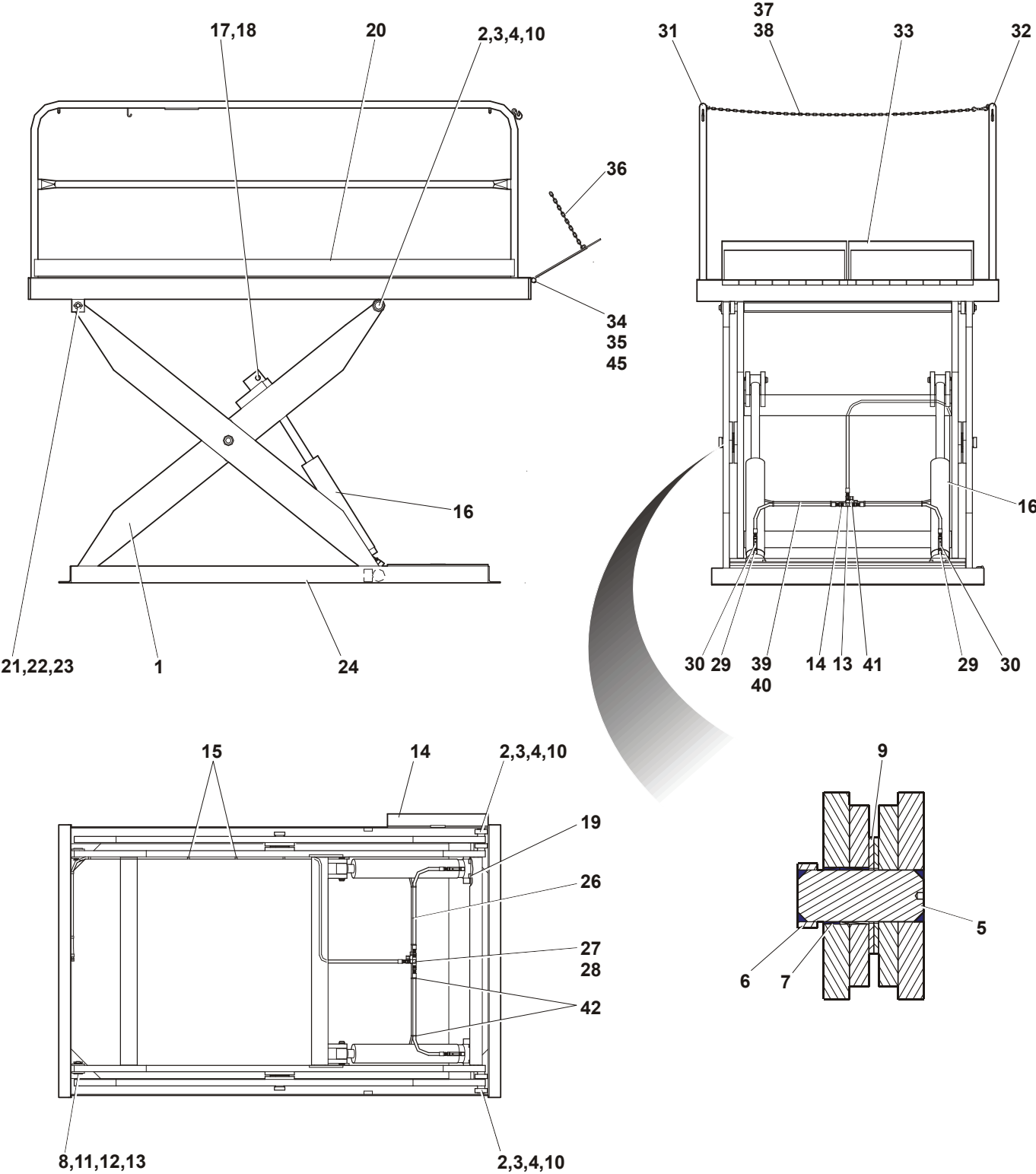


Figure 23 : Models 4,5,6 & 8 - 120" Deck Length

**General Assembly - 4,5,6 & 8,000 lb. Cap. - 120" Deck Length**

<b>Item</b>	<b>Qty</b>	<b>Part No</b>	<b>General Description</b>	<b>Specific Description</b>
37	2	091-023-0540	Chain - 3/16"Galvanized 54"	4,5,6,&8,000/60X120"
37	2	091-023-0660	Chain - 3/16"Galvanized 66"	4,5,6,&8,000/72X120"
37	2	091-023-0780	Chain - 3/16"Galvanized 78"	4,5,6,&8,000/84X120"
37	2	091-023-0900	Chain - 3/16"Galvanized 90"	4,5,6,&8,000/96X120"
38	2	R3-19203	Hook Snap 4" LG	4,5,6,&8,000/120"
39	2	034-674	Fitting, 1/4" M X 3/8" Comp.	4,5,6,&8,000/120"
40	2	091-000-0460	Tubing, Black Nylon 3/8" X46"	4,5,6,&8,000//60X120"
40	2	091-000-0520	Tubing, Black Nylon 3/8" X52"	4,5,6,&8,000/72-84X120"
40	2	091-000-0640	Tubing, Black Nylon 3/8" X64"	4,5,6,&8,000//96X120"
41	1	034-673	Fitting Nylon Tee - 3/8" Comp,	4,5,6,&8,000/120"
42	4	025-087	Cable Ties	4,5,6,&8,000/120"
43	1	300-5006-4	Vent Line Kit (29'LG)	4,5,6,&8,000/60X120"
43	1	300-5006-5	Vent Line Kit (30'LG)	4,5,6,&8,000/72X120"
43	1	300-5006-6	Vent Line Kit (31'LG)	4,5,6,&8,000/84X120"
43	1	300-5006-7	Vent Line Kit (32'LG)	4,5,6,&8,000/96X120"
44	1	300-5001-38	Hose, #8 HP (144"LG) Str. Swivel(2)	5,000/72X120"
44	1	300-5001-38	Hose, #8 HP (144"LG) Str. Swivel(2)	8,000/72X120"
44	1	300-5001-39	Hose, #8 HP (148"Lg) Str. Swivel(2)	8,000/84X120"
44	1	300-5001-37	Hose, #8 HP (138"Lg) Str. Swivel(2)	6,000/84X120"
44	1	300-5001-37	Hose, #8 HP (138"Lg) Str. Swivel(2)	8,000/72X120"
45	2	120-353	Torsion Spring - Spring Assist Lip	8,000/60,84,96X120"

\* - INDENTED SUB-ASSEMBLY – SHOWN ON SAME PAGE

\*\* - SUBASSEMBLY - SHOWN ON SEPARATE PAGE

*Continued...*

**8.3.1 Cylinder Assembly- 4,5,6 & 8,000 lb. Cap. - 120" Deck Length**

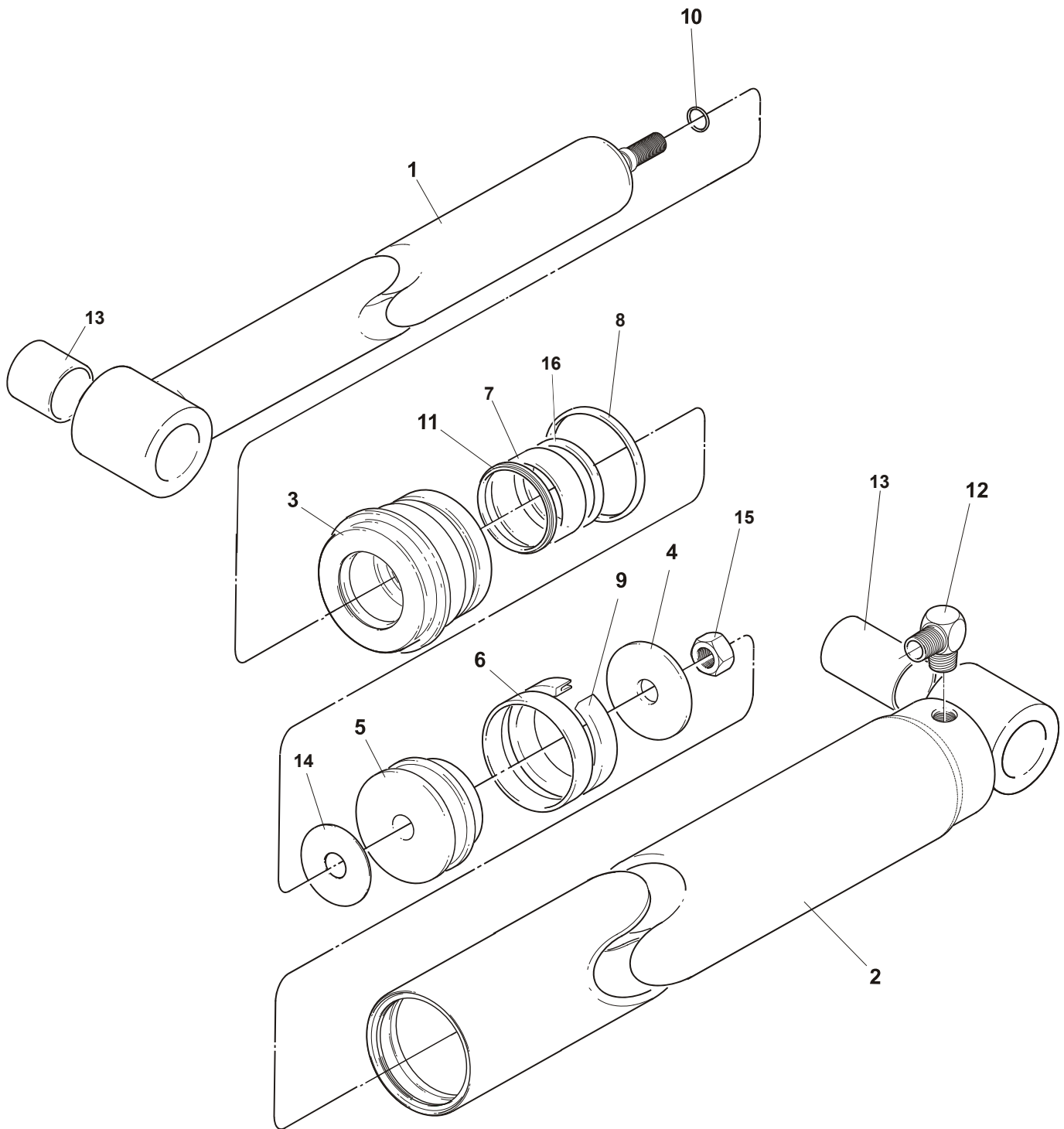


Figure 27 : Cylinder Assembly - 4,5,6 & 8,000 lb. - 120" Deck Length

**Cylinder Assembly- 4,5,6 & 8,000 lb. Cap. - 120" Deck Length**

Item	Qty	Part No	General Description	Specific Description
-	-	<b>780-140-214</b>	<b>Cylinder Ass'y (3"Dia) [21-1/2"Stroke]</b>	<b>4,&amp;5,000/120"</b>
-	-	<b>780-144-214</b>	<b>Cylinder Ass'y (3-1/2"Dia) [21-1/2"Stroke]</b>	<b>6,000/120"</b>
-	-	<b>780-142-214</b>	<b>Cylinder Ass'y (4"Dia) [21-1/2"Stroke]</b>	<b>8,000/120"</b>
1	1	786-855	Ram Assembly	4,5,6,&8,000/120"
2	1	780-141	Housing Assembly - 3" Cylinder	4,&5,000/120"
2	1	780-145	Housing Assembly - 3-1/2" Cylinder	6,000/120"
2	1	783-143	Housing Assembly - 4" Cylinder	8,000/120"
3	1	117-991	Headnut - 3" Cylinder	4,&5,000/120"
3	1	117-966	Headnut - 3-1/2" Cylinder	6,000/120"
3	1	117-989	Headnut - 4" Cylinder	8,000/120"
4	1	114-978	Washer, Piston - 3" Cylinder	4,&5,000/120"
4	1	114-979	Washer, Piston - 3-1/2" Cylinder	6,000/120"
4	1	114-980	Washer, Piston - 4" Cylinder	8,000/120"
5	1	114-640	Piston - 3" Cylinder	4,&5,000/120"
5	1	114-639	Piston - 3-1/2" Cylinder	6,000/120"
5	1	114-638	Piston - 4" Cylinder	8,000/120"
6●	1	036-154	Ring, Wear - 3" Cylinder.	4,&5,000/120"
6●	1	036-155	Ring, Wear - 3-1/2" Cylinder	6,000/120"
6●	1	036-156	Ring, Wear - 4" Cylinder	8,000/120"
7●	1	036-182	Ring, Wear	4,5,6,&8,000/120"
8●	1	036-132	"O"-Ring - 3" Cylinder	4,&5,000/120"
8●	1	036-131	"O"-Ring - 3-1/2" Cylinder	6,000/120"
8●	1	036-130	"O"-Ring - 4" Cylinder	8,000/120"
9●	1	036-112	"U"-Cup- 3" Cylinder	4,&5,000/120"
9●	1	036-111	"U"-Cup - 3-1/2" Cylinder	6,000/120"
9●	1	036-116	"U"-Cup - 4" Cylinder	8,000/120"
10●	1	036-108	"O"-Ring	4,5,6,&8,000/120"
11●	1	036-021	Wiper, Rod	4,5,6,&8,000/120"
12	1	034-500	Fitting	4,5,6,&8,000/120"
13●	1	117-993	Gasket	4,5,6,&8,000/120"
14	1	011-530	Nut, Huglock - 3/4"	4,5,6,&8,000/120"
15●	1	036-176	"O"-Ring	4,5,6,&8,000/120"
-	-	<b>783-553</b>	<b>Kit, Seal - 3" Cyl. - Items Marked (●)</b>	<b>4,&amp;5,000/120"</b>
-	-	<b>783-557</b>	<b>Kit, Seal - 3-1/2" Cyl.- Items Marked (●)</b>	<b>6,000/120"</b>
-	-	<b>783-572</b>	<b>Kit, Seal - 4" Cyl. - Items Marked (●)</b>	<b>8,000/120"</b>

**8.4 General Assembly - 4, 5 & 6,000 lb. Cap. - 144" Deck Length**

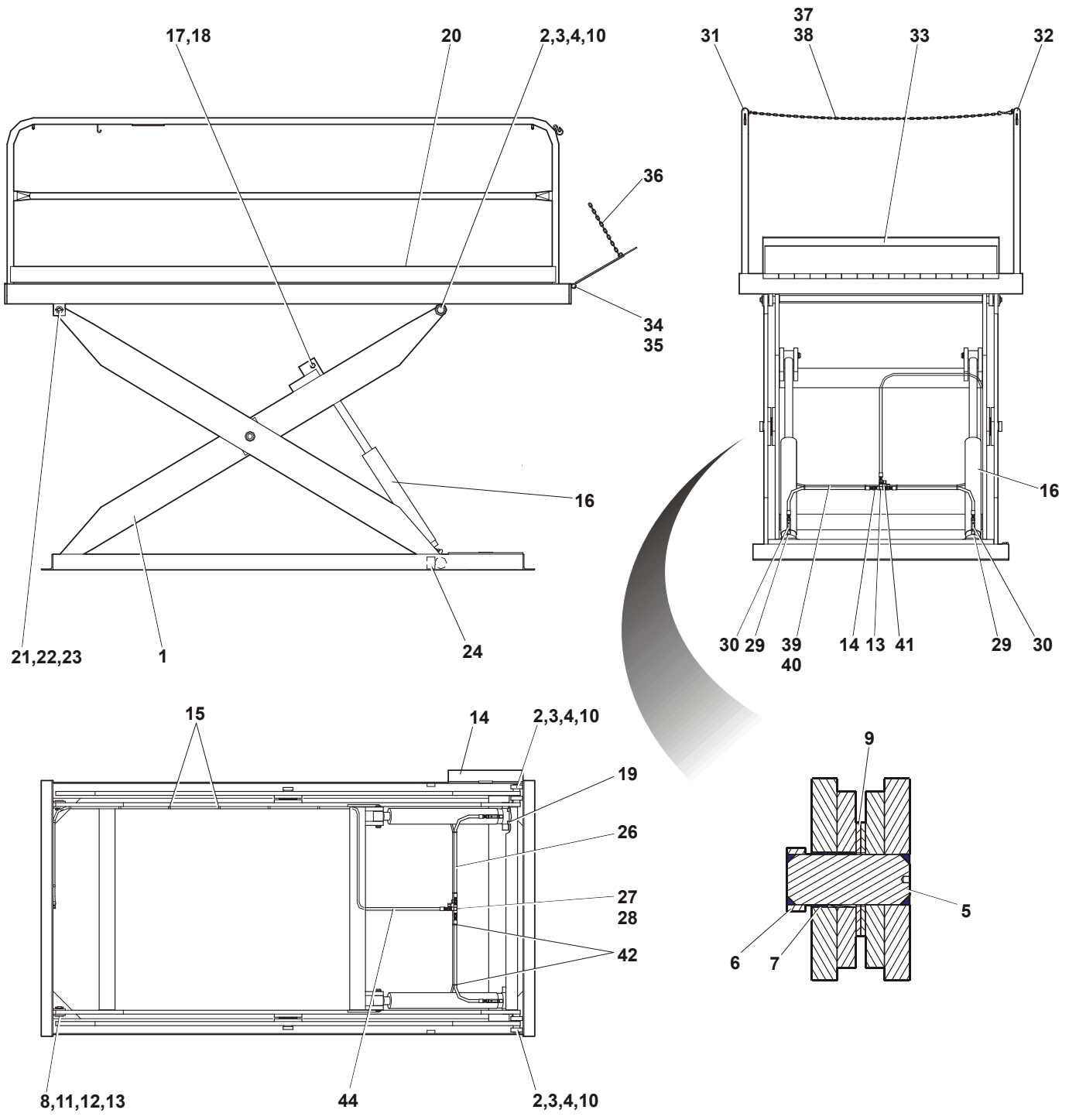


Figure 28 : General Assembly - 4,5,& 6,000 lb. - 144" Deck Length

**General Assembly - 4, 5 & 6,000 lb. Cap. - 144" Deck Length**

Item	Qty	Part No	General Description	Specific Description
			<b>General Assy 4,5,&amp;6,000 lb-144" Deck Lg</b>	<b>REF. DRG. 310-5264</b>
1*	1	313-5083	Frame/Leg Weldment	4,000/60X144"
1*	1	313-5084	Frame/Leg Weldment	4,000/72X144"
1*	1	313-5084	Frame/Leg Weldment	4,000/84X144"
1*	1	313-5085	Frame/Leg Weldment	4,000/96X144"
1*	1	313-5088	Frame/Leg Weldment	5,000/60X144"
1*	1	313-5089	Frame/Leg Weldment	5,000/72-84X144"
1*	1	313-5090	Frame/Leg Weldment	5,000/96X144"
1*	1	313-5093	Frame/Leg Weldment	6,000/60X144"
1*	1	313-5094	Frame/Leg Weldment	6,000/72-84X144"
1*	1	313-5095	Frame/Leg Weldment	6,000/96X144"
2	4	019-022	Bearing, 80x40x18mm	4,&5,000/144"
2	2	019-001	Bearing, 3"OD X 1-5/8"ID X 1"W	6,000/144"
3	4	011-066	Capscrew, Hex Skt F/H - 5/16"-18 X 3/4"	4,5,&6,000/144"
4	2	013-005	Spring Pin 5/32"x1"Lg	4,5,&6,000/144"
5	2	114-605	Centre Pin - 3/4" Thick Leg (4-3/8" Lg)	4,000/144"
5	2	114-651	Centre Pin 1" Thk Leg (4-7/8" Lg)	5,&6,000/144"
6	2	114-606	Collar - 2" (Centre Pin Mod Ed)	4,5,&6,000/144"
7	2	018-032	Bushing - 2"IDx1-1/2"LG	4,000/144"
7	2	018-033	Bushing - 2" IDx1-3/4"LG	5,&6,000/144"
8	4	018-051	Bushing - 1"IDx3/4"LG	4,000/144"
8	4	018-061	Bushing - 1"IDx1"LG	5,&6,000/144"
9	2	012-219	Washer, Flat-2.13" IDx4.5"ODx0.187" TH	4,5,&6,000/144"
10	4	121-684	Ring-Spacer (1-7/8" O.D)	4,&5,000/144"
11	2	798-048	Pin Ass'y (3/4" Thick Legs)	4,000/144"
11	2	798-043	Pin Ass'y (1" Thick Legs)	5,&6,000/144"
12	2	013-012	Spring Pin - 1/4" X 2	4,&5,000/144"
13	6	106-389	Washer, 1-3/4"ODx1"IDx1/16"THK	4,&5,000/144"
14	1	822-440	Strut Weldment, Maintenance	4,&5,000/144"
15	8	035-262	Strap (#6 Hose Clamp)	4,&5,000/144"
16**	2	780-140-240	<b>Cylinder Ass'y (3"Dia) [24"Stroke]</b>	<b>4,&amp;5,000/144"</b>
16**	2	780-144-240	<b>Cylinder Ass'y (3-1/2"Dia) [24"Stroke]</b>	<b>6,000/144"</b>
17	2	114-993	Pin-Cylinder Pivot	4,5,&6,000/144"
18	4	013-036	Retaining Ring Ext. - 1-1/4"Id	4,5,&6,000/144"
19	4	104-476	Lip Stop (3/4"X5/8")	4,5,&6,000/144"
20	1	312-5211	Deck Ass'y S2 4,&5,000/60x144	4,&5,000/60X144"
20	1	312-5212	Deck Ass'y S2 4,&5,000/72x144	4,5,&6,000/72X144"
20	1	312-5213	Deck Ass'y S2 4,&5,000/84X144	4,&5,000/84X144"
20	1	312-5214	Deck Ass'y S2 4,&5,000/96X144	4,&5,000/96X144"
20	1	312-5216-2	Deck Ass'y S2 6,000/60X144	6,000/60X144"
20	1	312-5216-4	Deck Ass'y S2 6,000/72X144	6,000/72X144"
20	1	312-5216-6	Deck Ass'y S2 6,000/84X144	6,000/84X144"
20	1	312-5216-8	Deck Ass'y S2 6,000/96X144	6,000/96X144"

\* - INDENTED SUB-ASSEMBLY – SHOWN ON SAME PAGE

\*\* - SUBASSEMBLY SHOWN ON SEPARATE PAGE

Continued...

### General Assembly - 4, 5 & 6,000 lb. Cap. - 144" Deck Length

Item	Qty	Part No	General Description	Specific Description
20	1	312-5061	Deck Ass'y S3 (Tapered) 4,&5,000/60x144	4,&5,000/60X144"
20	1	312-5062	Deck Ass'y S3 (Tapered) 4,&5,000/72x144	4,5,&6,000/72X144"
20	1	312-5063	Deck Ass'y S3 (Tapered) 4,&5,000/84X144	4,&5,000/84X144"
20	1	312-5064	Deck Ass'y S3 (Tapered) 4,&5,000/96X144	4,&5,000/96X144"
20	1	312-5065-2	Deck Ass'y S3 (Tapered) 6,000/60X144	6,000/60X144"
20	1	312-5065-4	Deck Ass'y S3 (Tapered) 6,000/72X144	6,000/72X144"
20	1	312-5065-6	Deck Ass'y S3 (Tapered) 6,000/84X144	6,000/84X144"
20	1	312-5065-8	Deck Ass'y S3 (Tapered) 6,000/96X144	6,000/96X144"
21	2	798-048	Pin Ass'y - (3/4" Thick Legs)	4,000/144"
21	2	798-043	Pin Ass'y - (1" Thick Legs)	5,&6,000-144"
22	6	106-389	Spacer Washer - 1-3/4"ODx1"IDx1/16"THK	4,5,&6,000/144"
23	2	013-012	Spring Pin - 1/4" X 2"	4,5,&6,000/144"
24	2	117-005	Roller Stop	4,5,&6,000/144"
25	1.5GA	039-066	Paint, Blue (Fast Dry Enamel)	4,5,&6,000/144"
26	2	300-5000-15	Hose, #6 HP (26"Lg) Str.Swivel(2)	4,5,&6,000/60X144"
26	2	300-5000-20	Hose, #6 HP (34"Lg) Str.Swivel(2)	4,5,&6,000/72X144"
26	2	300-5000-48	Hose, #6 HP (38"Lg) Str.Swivel(2)	4,5,&6,000/84X144"
26	2	300-5000-49	Hose, #6 HP (54"Lg) Str.Swivel(2)	4,5,&6,000/96X144"
27	1	034-571	Fitting, Tee 022T-6-6	4,5,&6,000/144"
28	2	034-504	Adapter, Fitting 0103-6-6	4,5,&6,000/144"
29	2	034-599	Fitting Elbow Forged #6MP-4MP-90°	4,5,&6,000/144"
30	2	033-661	Velocity Fuse, 5.0GPM	4,&5,000-144"
30	2	033-663	Velocity Fuse, 7.5GPM	6,000-144"
31	1	312-5080-7	Guard Rail, Right Side 144"Deck	4,5,&6,000/144"
32	1	312-5079	Guard Rail Weld (132-1/2"X45")	4,5,&6,000/144"
33	1	302-5002-2	Lip Assy,60" (12"LG,6#)	4,&5,000-144"
33	1	302-5002-7	Lip Assy,60" (18"LG,6#)	6,000-144"
34	1	121-616-1	Bar For Lip Hinge (60"Lg)	4,&5,000-144"
34	1	106-205	Bar For Lip Hinge (60"Lg)	6,000-144"
35	2	013-005	Spring Pin 5/32"X1"Lg	4,&5,000-144"
35	2	013-011	Spring Pin -1/4" X 1-3/8"	6,000-144"
36	1	091-023-0600	Chain (60"Lg) 3/16"	4,5,&6,000/144"
37	2	091-023-0540	Chain - 3/16"Galvanized 54"	4,5,&6,000/60X144"
37	2	091-023-0660	Chain - 3/16"Galvanized 66"	4,5,&6,000/72X144"
37	2	091-023-0780	Chain - 3/16"Galvanized 78"	4,5,&6,000/84X144"
37	2	091-023-0900	Chain - 3/16"Galvanized 90"	4,5,&6,000/96X144"
38	2	R3-19203	Hook Snap 4"Lg	4,5,&6,000/144"
39	2	034-674	Fitting, 1/4" M X 3/8" Comp.	4,5,&6,000/144"
40	2	091-000-0460	Tubing, Black Nylon 3/8" X46"	4,5,&6,000/60X144"
40	2	091-000-0520	Tubing, Black Nylon 3/8" X52"	4,5,&6,000/72-84X144"
40		091-000-0640	Tubing, Black Nylon 3/8" X64"	4,5,&6,000/96X144"
41	1	034-673	Fitting Nylon Tee - 3/8" Comp,	4,5,&6,000/144"
42	4	025-087	Cable Ties	4,5,&6,000/144"
43	1	300-5006-6	Vent Line Kit (31'lq)	4,5,&6,000/60X144"
43	1	300-5006-7	Vent Line Kit (32'lq)	4,5,&6,000/72X144"
43	1	300-5006-8	Vent Line Kit (33'lq)	4,5,&6,000/84X144"
43	1	300-5006-9	Vent Line Kit (34'lq)	4,5,&6,000/96X144"
44	1	300-5001-38	Hose, #8 HP (144"Lg) Str. Swivel(2)	5,000/72X144"
44	1	300-5001-37	Hose, #8 HP (138"Lg) Str. Swivel(2)	6,000/84X144"



**8.4.1 Cylinder Assembly- 4,5, & 6,000 lb. Cap. - 144" Deck Length**

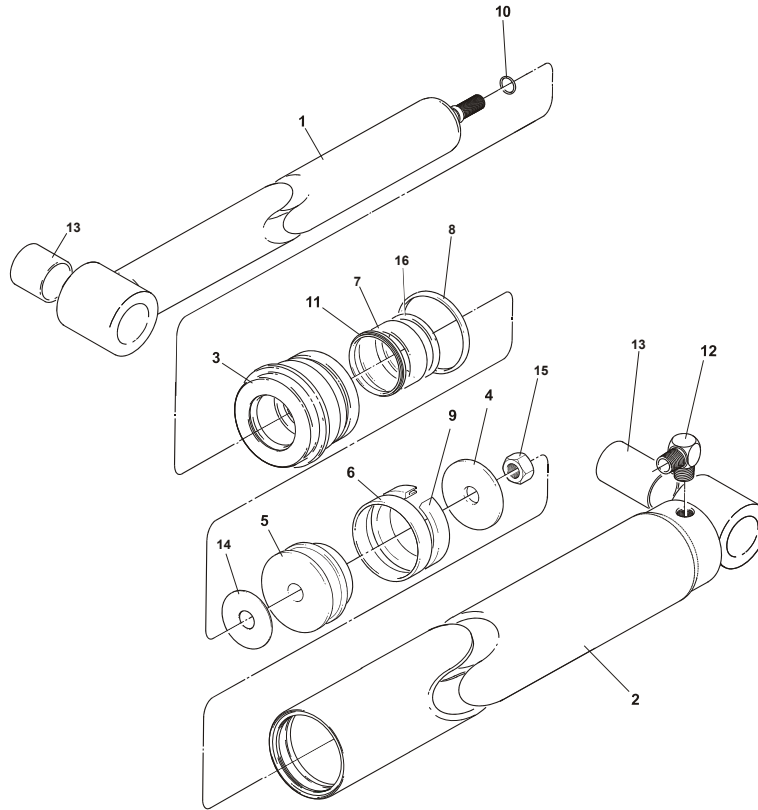


Figure 29 : Cylinder Assembly - 4,5,& 6,000 lb. - 144" Deck Length

Item	Qty	Part No	General Description	Specific Description
-	-	<b>780-140-240</b>	<b>Cylinder Ass'y (3"Dia) [24"Stroke]</b>	<b>4, &amp; 5,000/144"</b>
-	-	<b>780-144-240</b>	<b>Cylinder Ass'y (3-1/2"Dia) [24"Stroke]</b>	<b>6,000/144"</b>
1	1	786-855	Ram Assembly	4,5,&6,000/144"
2	1	780-141	Housing Assembly - 3" Cylinder	4, & 5,000/144"
2	1	780-145	Housing Assembly - 3-1/2" Cylinder	6,000/144"
3	1	117-991	Headnut - 3" Cylinder	4, & 5,000/144"
3	1	117-966	Headnut - 3-1/2" Cylinder	6,000/144"
4	1	114-978	Washer, Piston - 3" Cylinder.	4, & 5,000/144"
4	1	114-979	Washer, Piston - 3-1/2" Cylinder.	6,000/144"
5	1	114-640	Piston - 3" Cylinder	4, & 5,000/144"
5	1	114-639	Piston - 3-1/2" Cylinder	6,000/144"
6●	1	036-154	Ring, Wear - 3" Cylinder	4, & 5,000/144"
6●	1	036-155	Ring, Wear - 3-1/2" Cylinder	6,000/144"
7●	1	036-182	Ring, Wear	4,5,&6,000/144"
8●	1	036-132	"O"-Ring - 3" Cylinder	4, & 5,000/144"
8●	1	036-131	"O"-Ring - 3-1/2" Cylinder.	6,000/144"
9●	1	036-112	"U"-Cup- 3" Cylinder	4, & 5,000/144"
9●	1	036-111	"U"-Cup - 3-1/2" Cylinder	6,000/144"
10●	1	036-108	"O"-Ring	4,5,&6,000/144"
11●	1	036-021	Wiper, Rod	4,5,&6,000/144"
12	1	034-500	Fitting	4,5,&6,000/144"
13	2	018-027	Bushing	4,5,&6,000/144"
14●	1	117-993	Gasket	4,5,&6,000/144"
15	1	011-530	Nut, Huglock – 3/4"	4,5,&6,000/144"
16●	1	036-176	"O"-Ring	4,5,&6,000/144"
-	-	<b>783-553</b>	<b>Kit, Seal - 3" Cylinder - Items Marked (●)</b>	<b>4, &amp; 5,000/144"</b>
-	-	<b>783-557</b>	<b>Kit, Seal - 3-1/2" Cylinder.- Items Marked (●)</b>	<b>6,000/144"</b>

**8.5 General Assembly - 8,000 lb. Cap. - 144" Deck Length**

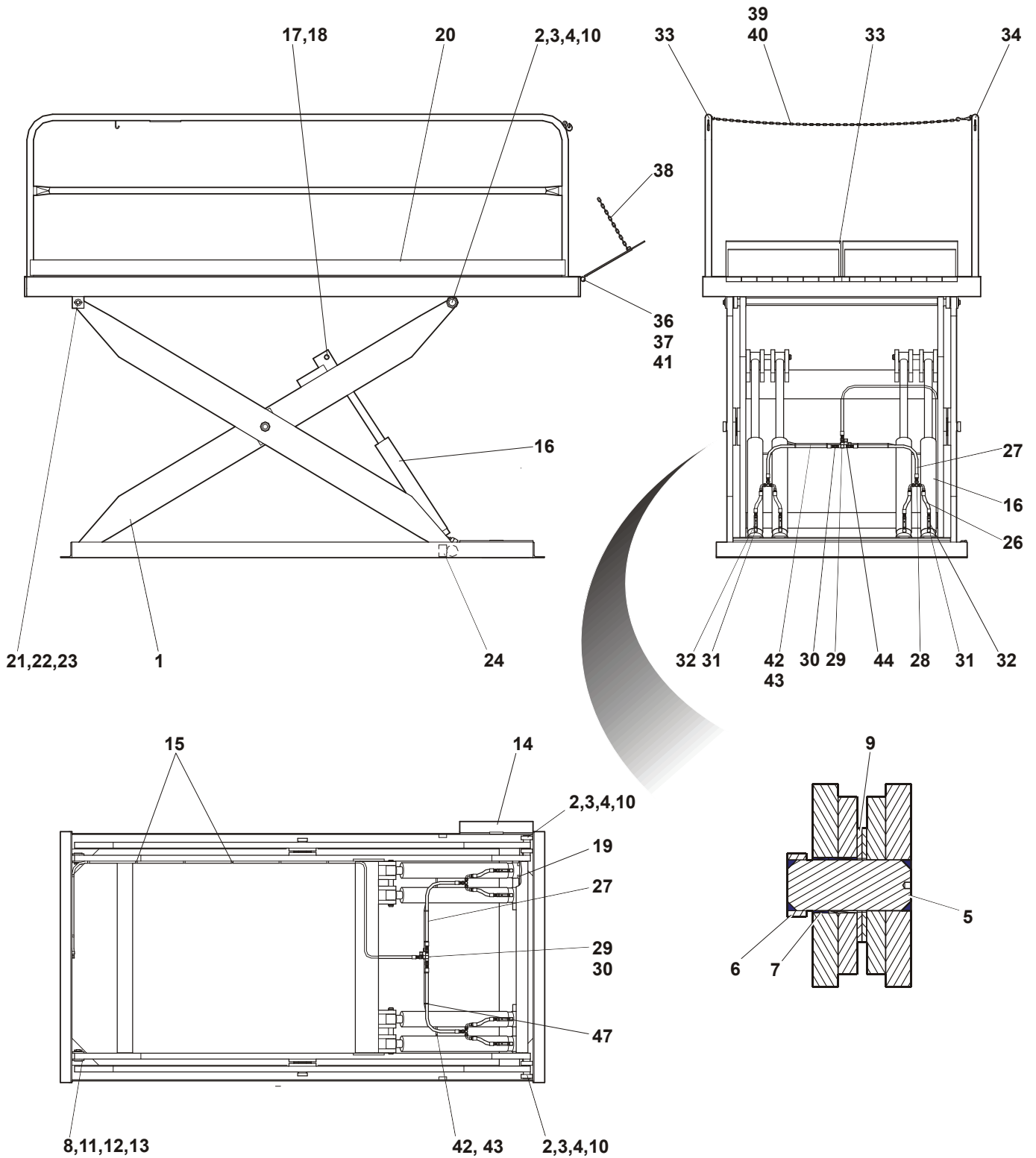


Figure 30 : General Assembly - 8,000 lb. - 144" Deck Length

**General Assembly - 8,000 lb. Cap. - 144" Deck Length**

Item	Qty	Part No	General Description	Specific Description
			<b>General Assy 8,000 lb. -144" Deck Length</b>	<b>REF DRG. 310-5270</b>
<b>1*</b>	<b>1</b>	<b>313-5098</b>	<b>Frame/Leg Weldment</b>	<b>8,000/60X144"</b>
<b>1*</b>	<b>1</b>	<b>313-5099</b>	<b>Frame/Leg Weldment</b>	<b>8,000/72-84X144"</b>
<b>1*</b>	<b>1</b>	<b>313-5100</b>	<b>Frame/Leg Weldment</b>	<b>8,000/96X144"</b>
2	2	019-001	Bearing, 3"OD X 1-5/8"ID X 1"W	8,000/144"
3	4	011-066	Capscrew, Hex Skt F/H - 5/16"-18 X 3/4"	8,000/144"
4	2	013-005	Spring Pin 5/32"x1"Lg	8,000/144"
5	2	114-652	Centre Pin 1-1/2" Thk Leg (5-7/8" Lg)	8,000/144"
6	2	114-606	Collar - 2" (Centre Pin Mod)	8,000/144"
7	2	018-034	Bushing - 2"IDx2"LG	8,000/144"
8	4	018-051	Bushing - 1"IDx3/4"LG	8,000/144"
9	2	012-219	Washer, Flat-2.13" IDx4.5"ODx0.187" TH	8,000/144"
10	4	121-684	Ring-Spacer (1-7/8" O.D)	8,000/144"
11	2	798-049	Pin Ass'y (1-1/2" Thick Legs)	8,000/144"
12	2	013-012	Spring Pin - 1/4" X 2	8,000/144"
13	6	106-389	Spacer Washer, 1-3/4"ODx1"IDx1/16"TH	8,000/144"
14	1	822-440	Strut Weldment, Maintenance	8,000/144"
15	8	035-262	Strap (#6 Hose Clamp)	8,000/144"
<b>16**</b>	<b>4</b>	<b>780-144-240</b>	<b>Cylinder Ass'y (3-1/2"Dia) [24"Stroke]</b>	<b>8,000/144"</b>
17	2	115-043	Pin-Cylinder Pivot	8,000/144"
18	4	013-036	Retaining Ring Ext. - 1-1/4"Id	8,000/144"
19	8	104-476	Lip Stop (3/4"X5/8")	8,000/144"
20	1	312-5249-1	Deck Ass'y S2 8,000/60X144	8,000/60X144"
20	1	312-5249-2	Deck Ass'y S2 8,000/72X144	8,000/72X144"
20	1	312-5249-3	Deck Ass'y S2 8,000/84X144	8,000/84X144"
20	1	312-5249-4	Deck Ass'y S2 8,000/96X108	8,000/96X144"
20	1	312-5245-1	Deck Ass'y S3 (Tapered) 8,000/60X144	8,000/60X144"
20	1	312-5245-2	Deck Ass'y S3 (Tapered) 8,000/72X144	8,000/72X144"
20	1	312-5245-3	Deck Ass'y S3 (Tapered) 8,000/84X144	8,000/84X144"
20	1	312-5245-4	Deck Ass'y S3 (Tapered) 8,000/96X108	8,000/96X144"
21	2	798-049	Pin Ass'y - (1-1/2" Thick Legs)	8,000/144"
22	6	106-389	Spacer Washer - 1-3/4"ODx1"IDx1/16"THK	8,000/144"
23	2	013-012	Spring Pin - 1/4" X 2"	8,000/144"
24	2	117-005	Roller Stop	8,000/144"
25	1.5GA	039-066	Paint, Blue (Fast Dry Enamel)	8,000/144"
26	4	300-5005	Hose, #6 HP - 90 Deg. - Str,	8,000/144"
27	2	300-5000-15	Hose, #8 Hp (26"Lg) Str.Swivel(2)	8,000/60X144"
27	2	300-5001-20	Hose, #8 Hp (34"Lg) Str.Swivel(2)	8,000/72X144"
27	2	300-5000-53	Hose, #8 Hp (38"Lg) Str.Swivel(2)	8,000/84X144"
27	2	300-5000-21	Hose, #6 Hp (48"Lg) Str.Swivel(2)	8,000/96X144"
28	2	034-551	Fitting, 033T-6-6	8,000/144"
29	1	034-571	Fitting, Tee 022t-6-6	8,000/144"
30	2	034-535	Fitting, 0103-6-8	8,000/144"
31	2	034-599	Fitting Elbow Forged #6MP-4MP-90	8,000/144"
32	2	033-663	Velocity Fuse, 7.5GPM	8,000/144"

\* - INDENTED SUB-ASSEMBLY – SHOWN ON SAME PAGE

\*\* - SUBASSEMBLY SHOWN ON SEPARATE PAGE

Continued...

**General Assembly - 8,000 lb. Cap. - 144" Deck Length**

<b>Item</b>	<b>Qty</b>	<b>Part No</b>	<b>General Description</b>	<b>Specific Description</b>
33	1	312-5080-7	Guard Rail, Right Side 144"Deck	8,000/144"
34	1	312-5079	Guard Rail Weld (132-1/2"X45")	8,000/144"
35	1	302-5007-3	Lip Assy,60" (18"LG,8#)	8,000/144"
36	2	809-483	Shaft, Lip (29-1/2"LG)	8,000/144"
37	2	013-011	Spring Pin -1/4" X 1-3/8"	8,000/144"
38	1	091-023-0600	Chain (60"Lg) 3/16"	8,000/144"
39	2	091-023-0540	Chain - 3/16"Galvanized 54"	8,000/60X144"
39	2	091-023-0660	Chain - 3/16"Galvanized 66"	8,000/72X144"
39	2	091-023-0780	Chain - 3/16"Galvanized 78"	8,000/84X144"
39	2	091-023-0900	Chain - 3/16"Galvanized 90"	8,000/96X144"
40	2	R3-19203	Hook Snap 4"Lg	8,000/144"
41	2	120-353	Torsion Spring	8,000/144"
42	2	034-674	Fitting, 1/4" M X 3/8" COMP	8,000/144"
43	2	091-000-0063	Tubing, Black Nylon 6-3/8"	8,000/60,72X144"
44	1	035-085	Fitting, Tee	8,000/60X144"
45	2	091-000-0340	Tubing, Black Nylon 3/8" X34"	8,000/60X144"
45	2	091-000-0400	Tubing, Black Nylon 3/8" X40"	8,000/72X144"
45	2	091-000-0460	Tubing, Black Nylon 3/8" X46"	8,000/84X144"
45	2	091-000-0520	Tubing, Black Nylon 3/8" X52"	8,000/96X144"
46	1	034-673	Fitting Nylon Tee - 3/8" Comp,	8,000/144"
47	4	025-087	Cable Ties	8,000/144"
48	1	300-5006-6	Vent Line Kit (31'l)	8,000/60X144"
48	1	300-5006-7	Vent Line Kit (32'l)	8,000/72X144"
48	1	300-5006-8	Vent Line Kit (33'l)	8,000/84X144"
48	1	300-5006-9	Vent Line Kit (34'l)	8,000/96X144"

**8.5.1 Cylinder Assembly - 8,000 lb. Cap. - 144" Deck Length**

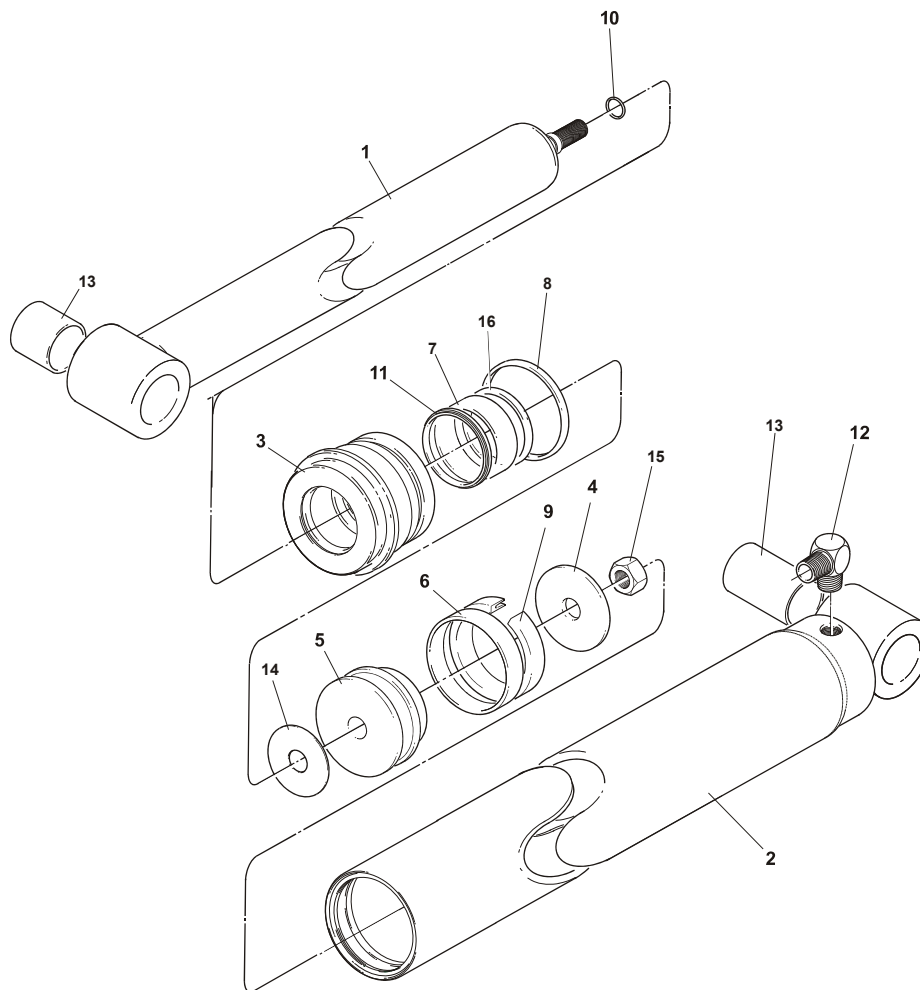


Figure 31 : Cylinder Assembly - 8,000 lb. - 144" Deck Length

Item	Qty	Part No	General Description	Specific Description
-	-	<b>780-144-240</b>	<b>Cylinder Ass'y (3-1/2"Dia) [24"Stroke]</b>	<b>8,000/144"</b>
1	1	786-855	Ram Assy 3", 3-1/2", & 4"	8,000/144"
2	1	780-145	Housing Weldment (4"Dia)	8,000/144"
3	1	117-966	Headnut 3-1/2" Dia. Cyl (2" Dia. Rod)	8,000/144"
4	1	114-979	Piston Washer - (3-1/2" Dia)	8,000/144"
5	1	114-639	Piston - 3-1/2"Dia Cyl	8,000/144"
6●	1	036-155	Wear Ring Pist.Wd.3-1/2x1/2	8,000/144"
7●	1	036-182	Wear Ring - 3" X .125" Thick	8,000/144"
8●	1	036-131	O-Ring - 3-1/2"OD X 3-3/4"ID	8,000/144"
9●	1	036-111	U-Cup - 3-1/2" X 2-7/8" X 1/2"	8,000/144"
10●	1	036-108	O-Ring - 3/4"OD X 5/8"ID X 1/16"	8,000/144"
11●	1	036-021	Wiping Ring - 2"ID	8,000/144"
12	1	034-500	Fitting, 6-6	8,000/144"
13	2	018-027	Bushing	8,000/144"
14●	1	117-993	Gasket	8,000/144"
15	1	011-530	Nut, Hex Jam - 3/4"-10	8,000/144"
16●	1	036-176	O-Ring (2-1/4" OD X 2" ID)	8,000/144"
-	-	<b>783-557</b>	<b>Seal Kit Includes Items Marked (●)</b>	<b>8,000/144"</b>

8.6 General Assembly - 10,000 lb. Cap. - 96" Deck Length

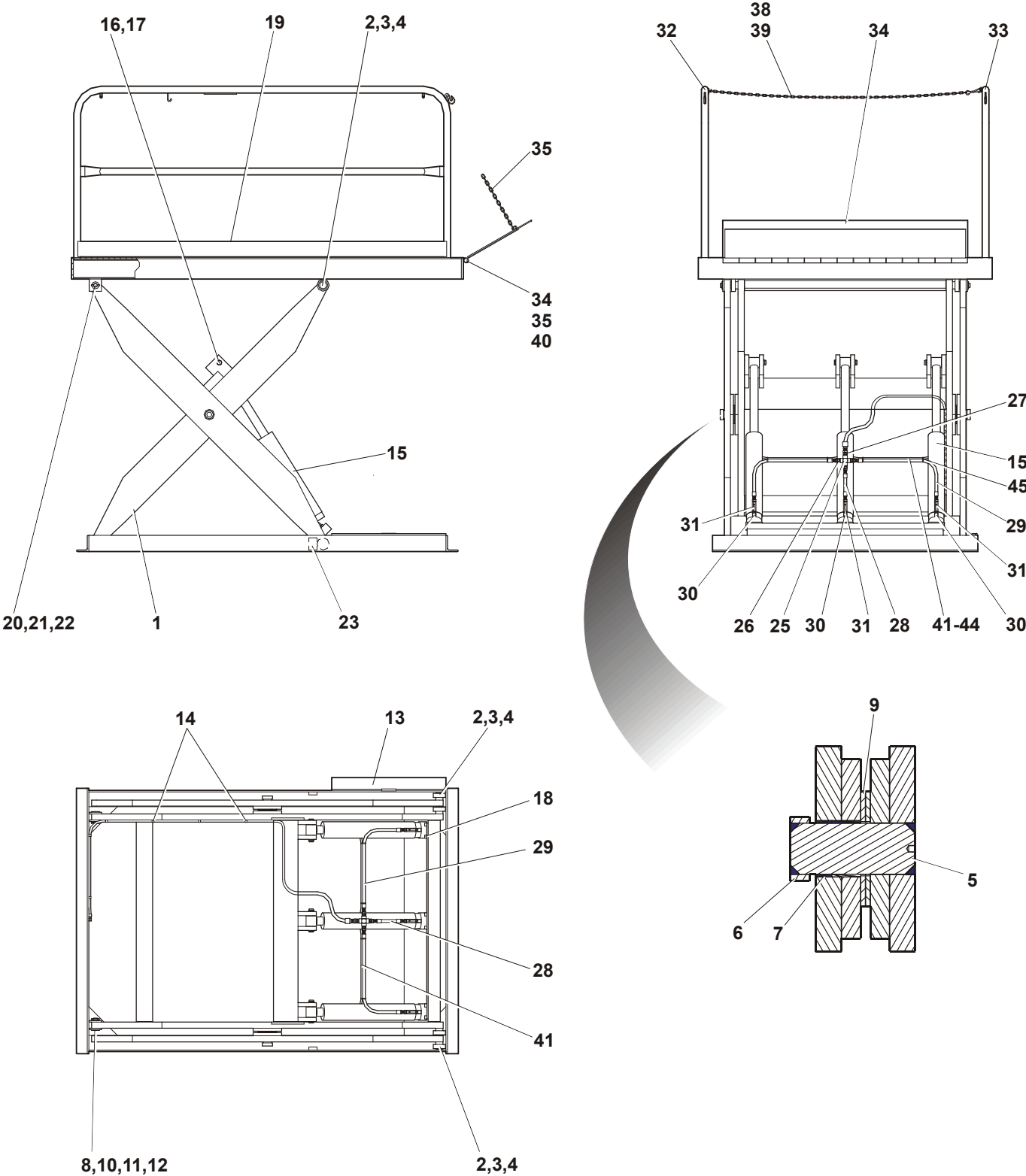


Figure 32 : General Assembly 10,000 lb. - 96" Deck Length

**General Assembly - 10,000 lb. Cap. - 96" Deck Length**

Item	Qty	Part No	General Description	Specific Description
-	-	-	<b>General Assy 10,000- 96" Deck Length</b>	<b>REF. DRG. 310-5288</b>
<b>1*</b>	<b>1</b>	<b>333-5203</b>	<b>Frame/Leg Weldm't</b>	<b>10,000/60X96"</b>
<b>1*</b>	<b>1</b>	<b>333-5204</b>	<b>Frame/Leg Weldm't</b>	<b>10,000/72X96"</b>
<b>1*</b>	<b>1</b>	<b>333-5205</b>	<b>Frame/Leg Weldm't</b>	<b>10,000/84X96"</b>
<b>1*</b>	<b>1</b>	<b>313-5011</b>	<b>Frame/Leg Weldm't</b>	<b>10,000/96X96"</b>
2	2	019-001	Bearing, 3"OD X 1-5/8"ID X 1"W	10,000/96"
3	4	011-066	Capscrew, Hex Skt F/H - 5/16"-18 X 3/4"	10,000/96"
4	2	013-005	Spring Pin 5/32"x1"Lg	10,000/96"
5	2	114-652	Centre Pin 1-1/2" Thk Leg (5-7/8" Lg)	10,000/96"
6	2	114-606	Collar - 2" (Centre Pin Mod )	10,000/96"
7	2	018-034	Bushing - 2"IDx2"LG	10,000/96"
8	4	018-051	Bushing - 1"IDx3/4"LG	10,000/96"
9	2	012-219	Washer, Flat Plain - 2.13" IDx4.5"ODx0.187" THK	10,000/96"
10	2	798-049	Pin Ass'y (1-1/2" Thick Legs)	10,000/96"
11	2	013-012	Spring Pin - 1/4" X 2	10,000/96"
12	6	106-389	Washer, 1-3/4"ODx1"IDx1/16"THK	10,000/96"
13	1	822-440	Strut Weldment, Maintenance	10,000/96"
14	8	035-262	Strap (#6 Hose Clamp)	10,000/96"
<b>15**</b>	<b>3</b>	<b>780-144-190</b>	<b>Cylinder Ass'y (3-1/2"Dia) [19" Stroke]</b>	<b>10,000/96"</b>
16	3	114-993	Pin-Cylinder Pivot	10,000/96"
17	6	013-036	Retaining Ring Ext. - 1-1/4"ID	10,000/96"
18	6	104-476	Lip Stop (3/4"X5/8")	10,000/96"
19	1	312-5116	Deck Ass'y S2 10,000/60x96	10,000/60X96"
19	1	312-5118	Deck Ass'y S2 10,000/72x96	10,000/72X96"
19	1	312-5120	Deck Ass'y S2 10,000/84x96	10,000/84X96"
19	1	312-5122	Deck Ass'y S2 10,000/96x96	10,000/96X96"
19	1	312-5031	Deck Ass'y S3 (Tapered) 10,000/60x96	10,000/60X96"
19	1	312-5032	Deck Ass'y S3 (Tapered) 10,000/72x96	10,000/72X96"
19	1	312-5033	Deck Ass'y S3 (Tapered) 10,000/84x96	10,000/84X96"
19	1	312-5034	Deck Ass'y S3 (Tapered) 10,000/96x96	10,000/96X96"
20	2	798-049	Pin Ass'y (1-1/2" Thick Legs)	10,000/96"
21	6	106-389	Spacer Washer -1-3/4"OD X 1"ID X 1/16" Th	10,000/96"
22	2	013-012	Spring Pin - 1/4" X 2"	10,000/96"
23	2	117-005	Roller Stop	10,000/96"
24	1.6GA	039-066	Paint, Blue (Fast Dry Enamel)	10,000/96"
25	1	034-671	Fitting Four Way	10,000/96"
26	3	034-536	Adapter, 2021-8-6S	10,000/96"
27	1	034-537	Adapter	10,000/96"
28	1	300-5000	Hose, #6 High Pressure (4"Lg) Str. Swivel(2)	10,000/96"
29	2	300-5000-15	Hose, #6 HP (26"Lg) Str.Swivel(2)	10,000/96"

\* - INDENTED SUB-ASSEMBLY – SHOWN ON SAME PAGE

\*\* - SUBASSEMBLY SHOWN ON SEPARATE PAGE

Continued...

**General Assembly - 10,000 lb. Cap. - 96" Deck Length**

<b>Item</b>	<b>Qty</b>	<b>Part No</b>	<b>General Description</b>	<b>Specific Description</b>
30	3	034-599	Fitting Elbow Forged 6MP-4MP-90°	10,000/96"
31	3	033-661	Velocity Fuse - 5 GPM	10,000/96"
32	1	312-5080-4	Guard Rail, Right Side 96"Deck	10,000/96"
33	1	312-5076	Guard Rail Weld (84-1/2"X45")	10,000/96"
34	1	302-5007-3	Lip Assy 60" Spring Assist 1pc ,18"Lg	10,000/96"
35	2	106-205	Bar For Lip Hinge (60"Lg)	10,000/96"
36	2	013-011	Spring Pin - 1/4" X 1-3/8"	10,000/96"
37	1	091-023-0600	Chain (60"Lg) [3/16"Proof Coil Galvanized]	10,000/96"
38	2	091-023-0540	Chain (54"Lg) 3/16"Proof Coil Galvanized	10,000/60X96"
38	2	091-023-0660	Chain (66"Lg) 3/16"Proof Coil Galvanized	10,000/72X96"
38	2	091-023-0780	Chain (78"Lg) 3/16"Proof Coil Galvanized	10,000/84X96"
38	2	091-023-0900	Chain (90"Lg) 3/16"Proof Coil Galvanized	10,000/96X96"
39	2	R3-19203	Hook Snap 4"Lg - 7/16"-20	10,000/96"
40	2	120-353	Torsion Spring	10,000/96"
41	1	034-674	Fitting, 1/4" Male X 3/8" Comp	10,000/96"
42	2	091-000-0340	Tubing Black Nylon (34"Lg) 3/8"	10,000/60X96"
42	2	091-000-0400	Tubing Black Nylon (40"Lg) 3/8"	10,000/72X96"
42	2	091-000-0460	Tubing Black Nylon (46"Lg) 3/8"	10,000/84X96"
42	2	091-000-0520	Tubing Black Nylon (52"Lg) 3/8"	10,000/96X96"
43	2	035-085	Fitting Tee	10,000/96"
44	1	034-673	Fitting Nylon Tee (3/8" Comp)	10,000/96"
45	4	025-087	Cable Ties	10,000/96"
46	1	300-5006-2	Vent Line Kit (27'lg)	10,000/60X96"
46	1	300-5006-3	Vent Line Kit (28'lg)	10,000/72X96"
46	1	300-5006-4	Vent Line Kit (29'lg)	10,000/84X96"
46	1	300-5006-5	Vent Line Kit (30'lg)	10,000/96X96"
47	1	300-5001-38	Hose, #8 Hp (144"Lg) Str.Swivel(2)	10,000/72X96"



**8.6.1 Cylinder Assembly - 10,000 lb. Cap. - 96" Deck Length**

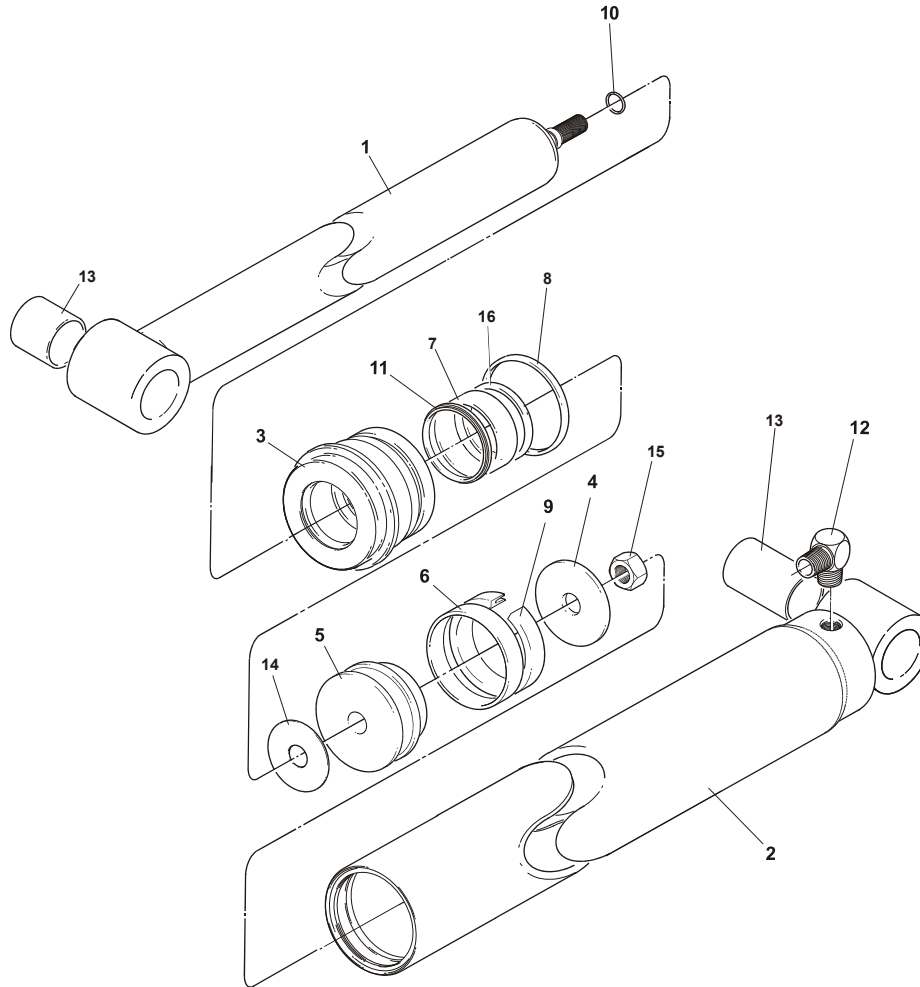


Figure 33 : Cylinder Assembly - 10,000 lb. - 96" Deck Length

Item	Qty	Part No	General Description	Specific Description
15**	3	780-144-190	Cylinder Ass'y (3-1/2"Dia) [19" Stroke]	10,000/96"
1	1	786-855	Ram Assy 3", 3-1/2", & 4"	10,000/96"
2	1	780-145	Housing Weldment (4"Dia)	10,000/96"
3	1	117-966	Headnut 3-1/2" Dia. Cyl (2" Dia. Rod)	10,000/96"
4	1	114-979	Piston Washer - (3-1/2" Dia)	10,000/96"
5	1	114-639	Piston - 3-1/2"Dia Cyl	10,000/96"
6●	1	036-155	Wear Ring Pist.Wd.3-1/2x1/2	10,000/96"
7●	1	036-182	Wear Ring - 3" X .125" Thick	10,000/96"
8●	1	036-131	O-Ring - 3-1/2"OD X 3-3/4"ID	10,000/96"
9●	1	036-111	U-Cup - 3-1/2" X 2-7/8" X 1/2"	10,000/96"
10●	1	036-108	O-Ring - 3/4"OD X 5/8"ID X 1/16"	10,000/96"
11●	1	036-021	Wiping Ring - 2"ID	10,000/96"
12	1	034-500	Fitting, 6-6	10,000/96"
13	2	018-027	Bushing	10,000/96"
14●	1	117-993	Gasket	10,000/96"
15	1	011-530	Nut, Hex Jam - 3/4"-10	10,000/96"
16●	1	036-176	O-Ring (2-1/4" OD X 2" ID)	10,000/96"
-	-	783-557	Seal Kit Includes Items Marked (●)	10,000/96"

**8.7 General Assembly - 12,000 lb. Cap. - 96" Deck Length**

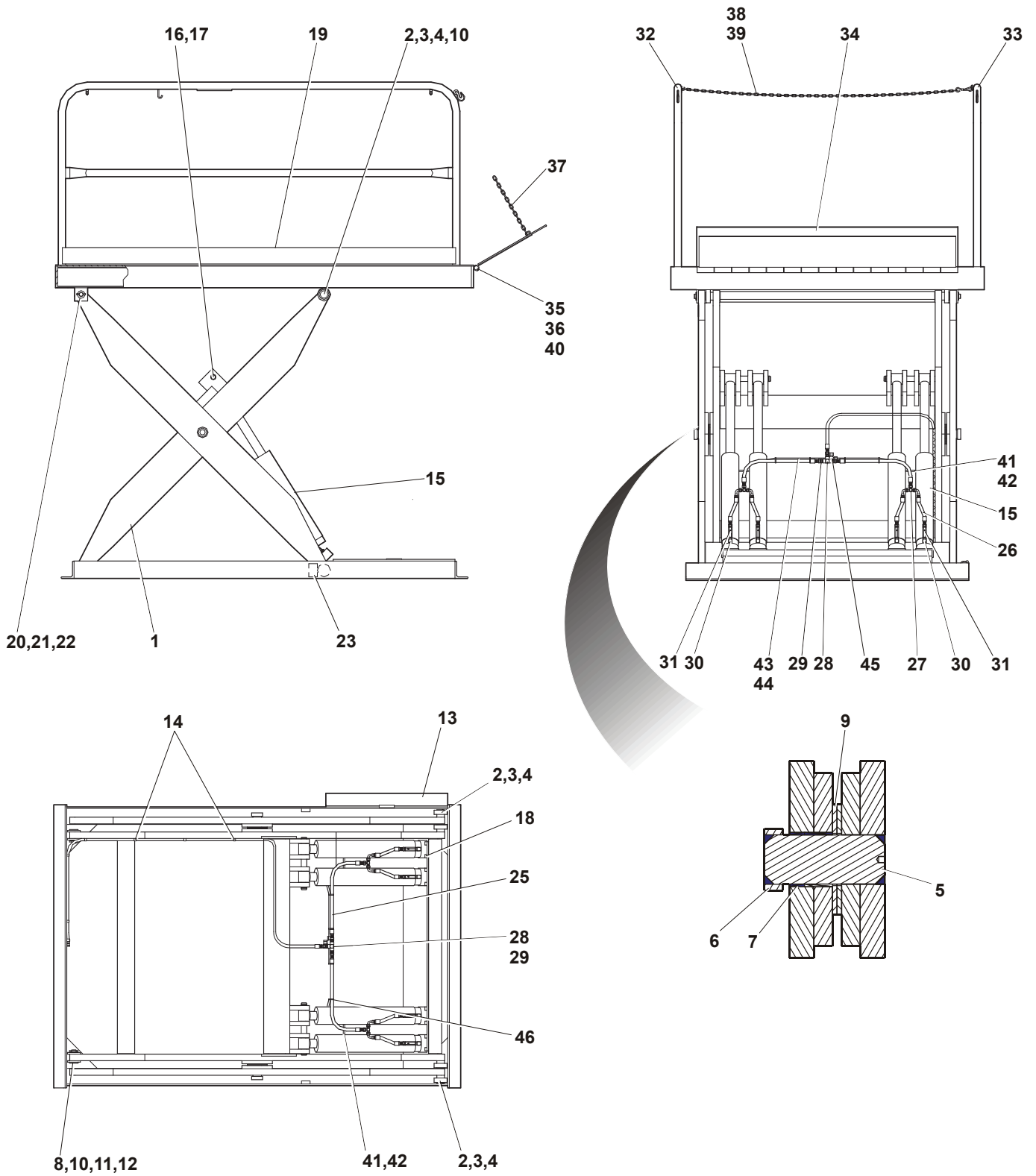


Figure 34 : General Assembly - 12,000 lb. - 96" Deck Length

**General Assembly - 12,000 lb. Cap. - 96" Deck Length**

Item	Qty	Part No	General Description	Specific Description
			<b>General Assy 12,000 - 96" Deck Length</b>	<b>REF. DWG. 310-5294</b>
1*	1	333-5304	Frame/Leg Weldm't	12,000/60X96"
1*	1	333-5305	Frame/Leg Weldm't	12,000/72X96"
1*	1	333-5306	Frame/Leg Weldm't	12,000/84X96"
1*	1	313-5013	Frame/Leg Weldm't	12,000/96X96"
2	2	019-001	Roller Bearing, 3"OD X 1-5/8"ID X 1"W	12,000/96"
3	4	011-066	Capscrew, Hex Skt F/H - 5/16"-18 X 3/4"	12,000/96"
4	2	013-005	Spring Pin 5/32"x1"Lg	12,000/96"
5	2	114-652	Centre Pin 1-1/2" Thk Leg (5-7/8" Lg)	12,000/96"
6	2	114-606	Collar - 2" (Centre Pin Mod)	12,000/96"
7	2	018-034	Bushing - 2"IDx2"LG	12,000/96"
8	4	018-051	Bushing - 1"IDx3/4"LG	12,000/96"
9	2	012-219	Washer, Flat-2.13" IDx4.5"ODx0.187" TH	12,000/96"
10	2	798-049	Pin Ass'y (1-1/2" Thick Legs)	12,000/96"
11	2	013-012	Spring Pin - 1/4" X 2	12,000/96"
12	6	106-389	Spacer Washer, 1-3/4"ODx1"IDx1/16"TH	12,000/96"
13	1	822-440	Strut Weldment, Maintenance	12,000/96"
14	8	035-262	Strap (#6 Hose Clamp)	12,000/96"
15**	3	780-144-190	<b>Cylinder Ass'y (3-1/2"Dia) [19" Stroke]</b>	<b>12,000/96"</b>
16	3	115-043	Pin-Cylinder Pivot	12,000/96"
17	6	013-036	Retaining Ring Ext. - 1-1/4"ld	12,000/96"
18	6	104-476	Lip Stop (3/4"X5/8")	12,000/96"
19	1	312-5117	Deck Ass'y S2 12,000/60x96	12,000/60X96"
19	1	312-5119	Deck Ass'y S2 12,000/72x96	12,000/72X96"
19	1	312-5121	Deck Ass'y S2 12,000/84x96	12,000/84X96"
19	1	312-5123	Deck Ass'y S2 12,000/96x96	12,000/96X96"
19	1	312-5088	Deck Ass'y S3 (Tapered) 12,000/60x96	12,000/60X96"
19	1	312-5089	Deck Ass'y S3 (Tapered) 12,000/72x96	12,000/72X96"
19	1	312-5090	Deck Ass'y S3 (Tapered) 12,000/84x96	12,000/84X96"
19	1	312-5091	Deck Ass'y S3 (Tapered) 12,000/96x96	12,000/96X96"
20	2	798-049	Pin Ass'y (1-1/2" Thick Legs)	12,000/96"
21	6	106-389	Spacer Washer - 1-3/4"OD X 1"ID X 1/16Th	12,000/96"
22	2	013-012	Spring Pin - 1/4" X 2"	12,000/96"
23	2	117-005	Roller Stop	12,000/96"
24	1.6GA	039-066	Paint, Blue (Fast Dry Enamel)	12,000/96"
25	2	300-5000-15	Hose, #8 HP (26"Lg) Str.Swivel(2)	12,000/60X96"
25	2	300-5000-20	Hose, #8 HP (34"Lg) Str.Swivel(2)	12,000/72X96"
25	2	300-5001-53	Hose, #8 HP (38"Lg) Str.Swivel(2)	12,000/84X96"
25	2	300-5001-21	Hose, #8 HP (48"Lg) Str.Swivel(2)	12,000/96X96"
26	4	300-5005	Hose, #6 HP - 90 Deg. - Str. Swivel	12,000/96"
27	1	034-551	Fitting, Tee 033T-6-6	12,000/96"
28	1	034-571	Fitting, Tee 022T-6-6	12,000/96"
29	2	034-504	Adapter, 0103-6-6	12,000/96"

\* - INDENTED SUB-ASSEMBLY – SHOWN ON SAME PAGE  
 \*\* - SUBASSEMBLY SHOWN ON SEPARATE PAGE

Continued...

**General Assembly - 12,000 lb. Cap. - 96" Deck Length**

<b>Item</b>	<b>Qty</b>	<b>Part No</b>	<b>General Description</b>	<b>Specific Description</b>
30	4	034-599	Fitting Elbow Forged 6MP-4MP-90°	12,000/96"
31	3	033-661	Velocity Fuse - 5 GPM	12,000/96"
32	1	312-5080-4	Guard Rail, Right Side 96"Deck	12,000/96"
33	1	312-5076	Guard Rail Weld (84-1/2"X45")	12,000/96"
34	1	302-5007-3	Lip Assy 60" Spring Assist 1pc ,18"Lg]	12,000/96"
34	1	302-5002-8	Lip Assy 60" Spring Assist 1pc ,12"Lg]	12,000/96x96" Lg.
35	2	106-205	Bar, Lip Hinge	12,000/96"
36	2	013-011	Spring Pin - 1/4" X 1-3/8	12,000/96"
37	1	091-023-0600	Chain (60"Lg) [3/16"Proof Coil Galvanized]	12,000/96"
38	2	091-023-0540	Chain (54"Lg) 3/16"Proof Coil Galvanized	12,000/60X96'
38	2	091-023-0660	Chain (66"Lg) 3/16"Proof Coil Galvanized	12,000/72X96"
38	2	091-023-0780	Chain (78"Lg) 3/16"Proof Coil Galvanized	12,000/84X96"
38	2	091-023-0900	Chain (90"Lg) 3/16"Proof Coil Galvanized	12,000/96X96"
39	2	R3-19203	Hook Snap 4"Lg - 7/16"-20	12,000/96"
40	2	120-353	Torsion Spring	12,000/96"
41	2	034-674	Fitting, 1/4" Male X 3/8" Comp	12,000/96"
42	2	091-000-0063	Tubing Black Nylon (6-3/8"Lg) 3/8"	12,000/96"
43	2	035-085	Fitting Tee	12,000/96"
44	2	091-000-0340	Tubing Black Nylon (34"Lg) 3/8"	12,000/60X96"
44	2	091-000-0400	Tubing Black Nylon (40"Lg) 3/8"	12,000/72X96"
44	2	091-000-0460	Tubing Black Nylon (46"Lg) 3/8"	12,000/84X96"
44	2	091-000-0520	Tubing Black Nylon (52"Lg) 3/8"	12,000/96X96"
45	1	034-673	Fitting Nylon Tee (3/8" Comp)	12,000/96"
46	4	025-087	Cable Ties	12,000/96"
47	1	300-5006-2	Vent Line Kit (27'lg) <i>(Not Shown)</i>	12,000/60X96"
47	1	300-5006-3	Vent Line Kit (28'lg) <i>(Not Shown)</i>	12,000/72X96"
47	1	300-5006-4	Vent Line Kit (29'lg) <i>(Not Shown)</i>	12,000/84X96"
47	1	300-5006-5	Vent Line Kit (31'lg) <i>(Not Shown)</i>	12,000/84X96"

**8.7.1 Cylinder Assembly - 12,000 lb. Cap. - 96" Deck Length**

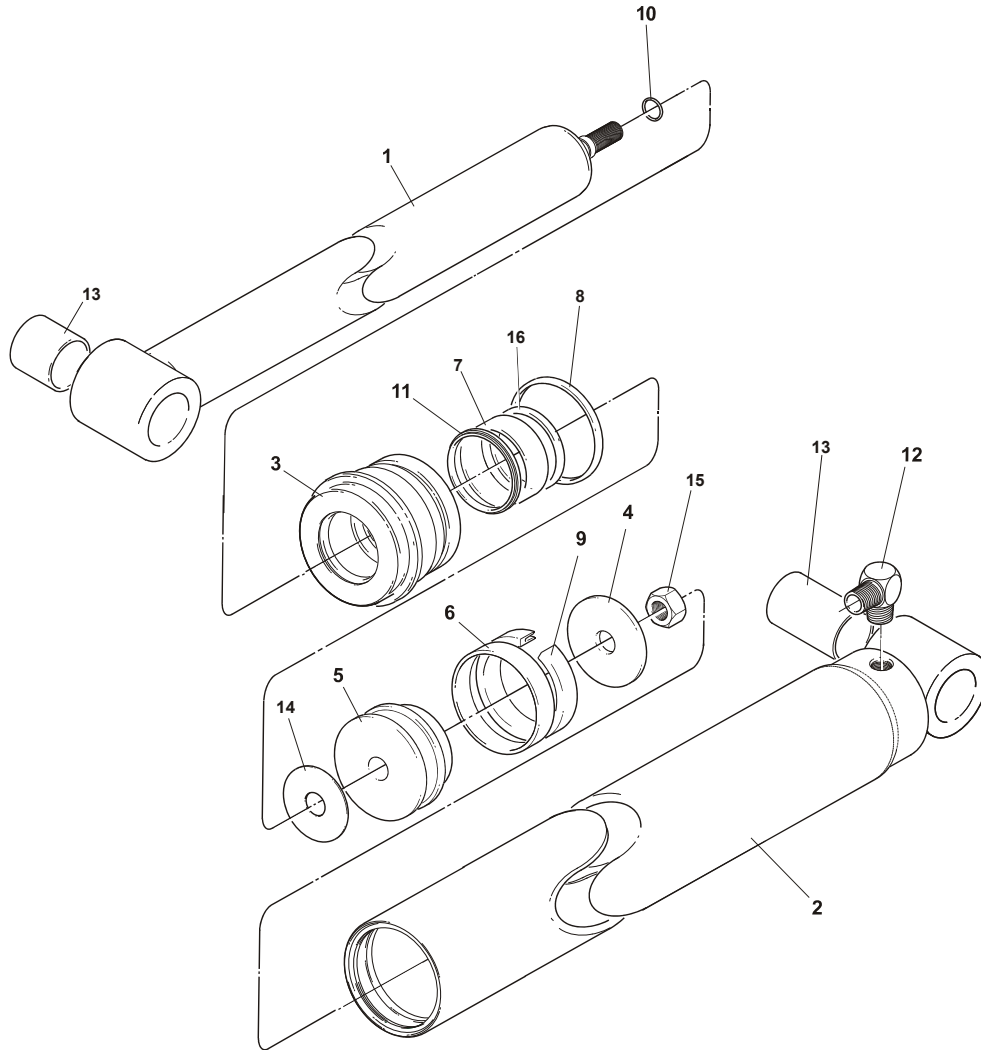


Figure 35 : Cylinder Assembly - 12,000 lb. - 96" Deck Length

Item	Qty	Part No	General Description	Specific Description
-	-	<b>780-144-190</b>	<b>Cylinder Ass'y (3-1/2"Dia) [19" Stroke]</b>	<b>12,000/96"</b>
1	1	786-855	Ram Assy 3", 3-1/2", & 4"	12,000/96"
2	1	780-145	Housing Weldment (4"Dia)	12,000/96"
3	1	117-966	Headnut 3-1/2" Dia. Cyl (2" Dia. Rod)	12,000/96"
4	1	114-979	Piston Washer - (3-1/2" Dia)	12,000/96"
5	1	114-639	Piston - 3-1/2"Dia Cyl	12,000/96"
6●	1	036-155	Wear Ring Pist.Wd.3-1/2x1/2	12,000/96"
7●	1	036-182	Wear Ring - 3" X .125" Thick	12,000/96"
8●	1	036-131	O-Ring - 3-1/2"OD X 3-3/4"ID	12,000/96"
9●	1	036-111	U-Cup - 3-1/2" X 2-7/8" X 1/2"	12,000/96"
10●	1	036-108	O-Ring - 3/4"OD X 5/8"ID X 1/16"	12,000/96"
11●	1	036-021	Wiping Ring - 2"ID	12,000/96"
12	1	034-500	Fitting, 6-6	12,000/96"
13	2	018-027	Bushing	12,000/96"
14●	1	117-993	Gasket	12,000/96"
15	1	011-530	Nut, Hex Jam - 3/4"-10	12,000/96"
16●	1	036-176	O-Ring (2-1/4" OD X 2" ID)	12,000/96"
-	-	<b>783-557</b>	<b>Seal Kit Includes Items Marked (●)</b>	<b>12,000/96"</b>

**8.8 General Assembly - 10 & 12,000 lb. Cap. - 108" Deck Length**

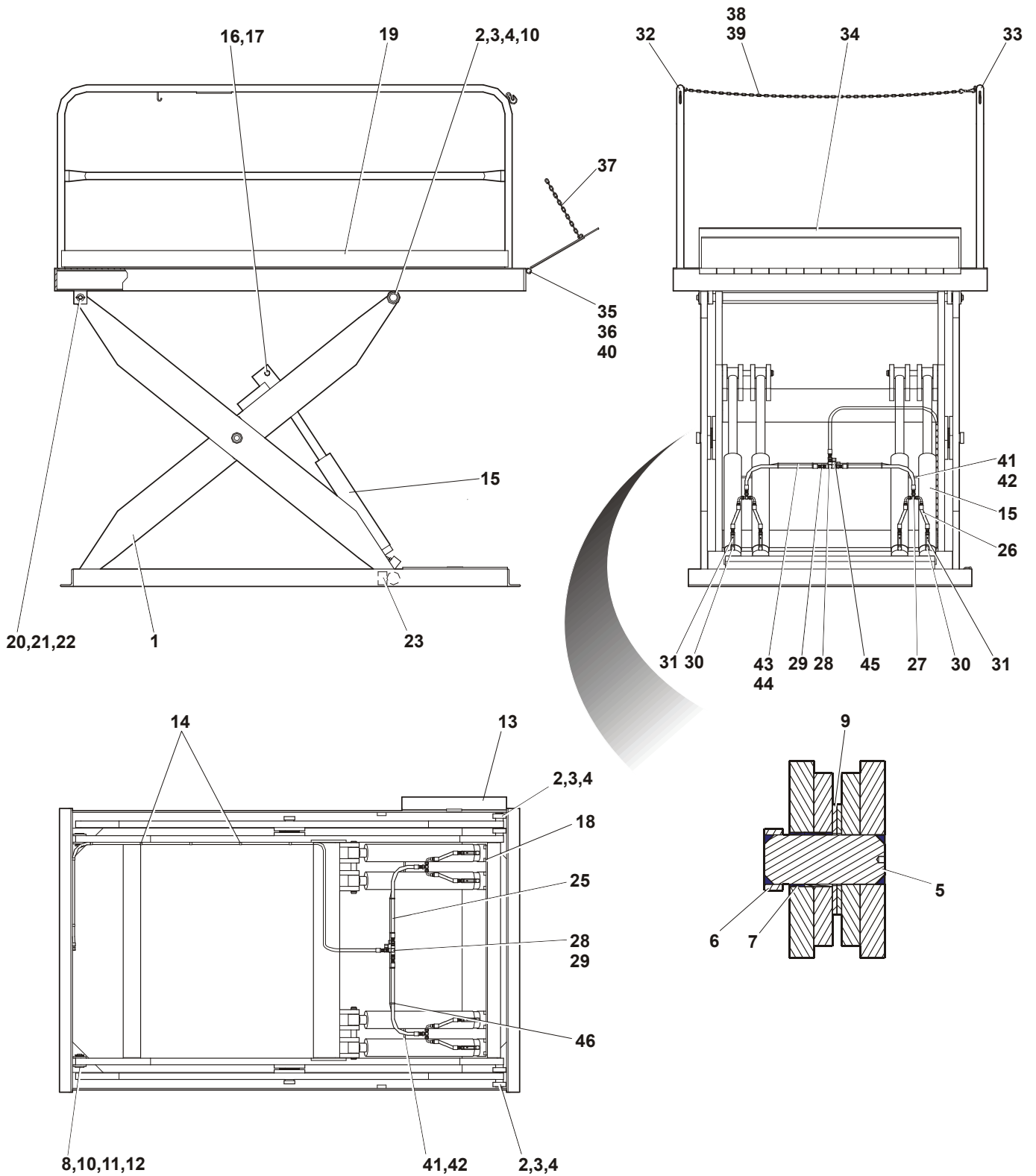


Figure 36 : General Assembly 10 & 12,000 lb. - 108" Deck Length

**General Assembly - 10 & 12,000 lb. Cap. - 108" Deck Length**

Item	Qty	Part No	General Description	Specific Description
			<b>General Assy 10,&amp;12,000 - 108" Deck Lg</b>	<b>REF. DWG. 310-5305</b>
1*	1	333-5308	Frame/Leg Weldm't	10,&12,000/60X108"
1*	1	333-5309	Frame/Leg Weldm't	10,&12,000/72X108"
1*	1	333-5310	Frame/Leg Weldm't	10,&12,000/84X108"
1*	1	313-5015	Frame/Leg Weldm't	10,&12,000/96X108"
2	2	019-001	Bearing, Roller 3"OD X 1-5/8"ID X 1"W	10,&12,000/108"
3	4	011-066	Capscrew, Hex Skt F/H - 5/16"-18 X 3/4"	10,&12,000/108"
4	2	013-005	Spring Pin 5/32"x1"Lg	10,&12,000/108"
5	2	114-652	Centre Pin 1-1/2" Thk Leg (5-7/8" Lg)	10,&12,000/108"
6	2	114-606	Collar - 2" (Centre Pin Mod)	10,&12,000/108"
7	2	018-034	Bushing - 2"IDx2"LG	10,&12,000/108"
8	4	018-051	Bushing - 1"IDx3/4"LG	10,&12,000/108"
9	2	012-219	Washer, Flat-2.13" IDx4.5"ODx0.187" TH	10,&12,000/108"
10	2	798-049	Pin Ass'y (1-1/2" Thick Legs)	10,&12,000/108"
11	2	013-012	Spring Pin - 1/4" X 2	10,&12,000/108"
12	6	106-389	Spacer Washer, 1-3/4"ODx1"IDx1/16"TH	10,&12,000/108"
13	1	822-440	Strut Weldment, Maintenance	10,&12,000/108"
14	8	035-262	Strap (#6 Hose Clamp)	10,&12,000/108"
15**	3	780-144-210	<b>Cylinder Ass'y (3-1/2"Dia) [21" Stroke]</b>	10,&12,000/108"
16	3	115-043	Pin-Cylinder Pivot	10,&12,000/108"
17	6	013-036	Retaining Ring Ext. - 1-1/4"ID	10,&12,000/108"
18	6	104-476	Lip Stop (3/4"X5/8")	10,&12,000/108"
19	1	312-5132	Deck Ass'y S2 10,&12,000/60x108	10,&12,000/60X108"
19	1	312-5133	Deck Ass'y S2 10,&12,000/72x108	10,&12,000/72X108"
19	1	312-5134	Deck Ass'y S2 10,&12,000/84x108	10,&12,000/84X108"
19	1	312-5135	Deck Ass'y S2 10,&12,000/96x108	10,&12,000/96X108"
19	1	312-5043	Deck Ass'y S3 (Taprd) 10,&12,000/60x108	10,&12,000/60X108"
19	1	312-5044	Deck Ass'y S3 (Taprd) 10,&12,000/72x108	10,&12,000/72X108"
19	1	312-5045	Deck Ass'y S3 (Taprd) 10,&12,000/84x108	10,&12,000/84X108"
19	1	312-5046	Deck Ass'y S3 (Taprd) 10,&12,000/96x108	10,&12,000/96X108"
20	2	798-049	Pin Ass'y (1-1/2" Thick Legs)	10,&12,000/108"
21	6	106-389	Spacer Washer - 1-3/4"OD X 1"ID X 1/16"Th	10,&12,000/108"
22	2	013-012	Spring Pin - 1/4" X 2"	10,&12,000/108"
23	2	103-445	Roller Stop	10,&12,000/108"
24	1.6GA	039-066	Paint, Blue (Fast Dry Enamel)	10,&12,000/108"
25	2	300-5000-15	Hose, #8 HP (26"Lg) Str.Swivel(2)	10,&12,000/60X108"
25	2	300-5000-20	Hose, #8 HP (34"Lg) Str.Swivel(2)	10,&12,000/72X108"
25	2	300-5001-53	Hose, #8 HP (38"Lg) Str.Swivel(2)	10,&12,000/84X108"
25	2	300-5001-21	Hose, #8 HP (48"Lg) Str.Swivel(2)	10,&12,000/96X108"
26	1	300-5005	Hose, #6 HP - 90 Deg. - Str. Swivel	10,&12,000/108"
27	1	034-551	Fitting, Tee 033T-6-6	10,&12,000/108"
28	1	034-571	Fitting, Tee 022T-6-6	10,&12,000/108"

\* - INDENTED SUB-ASSEMBLY – SHOWN ON SAME PAGE  
 \*\* - SUBASSEMBLY SHOWN ON SEPARATE PAGE

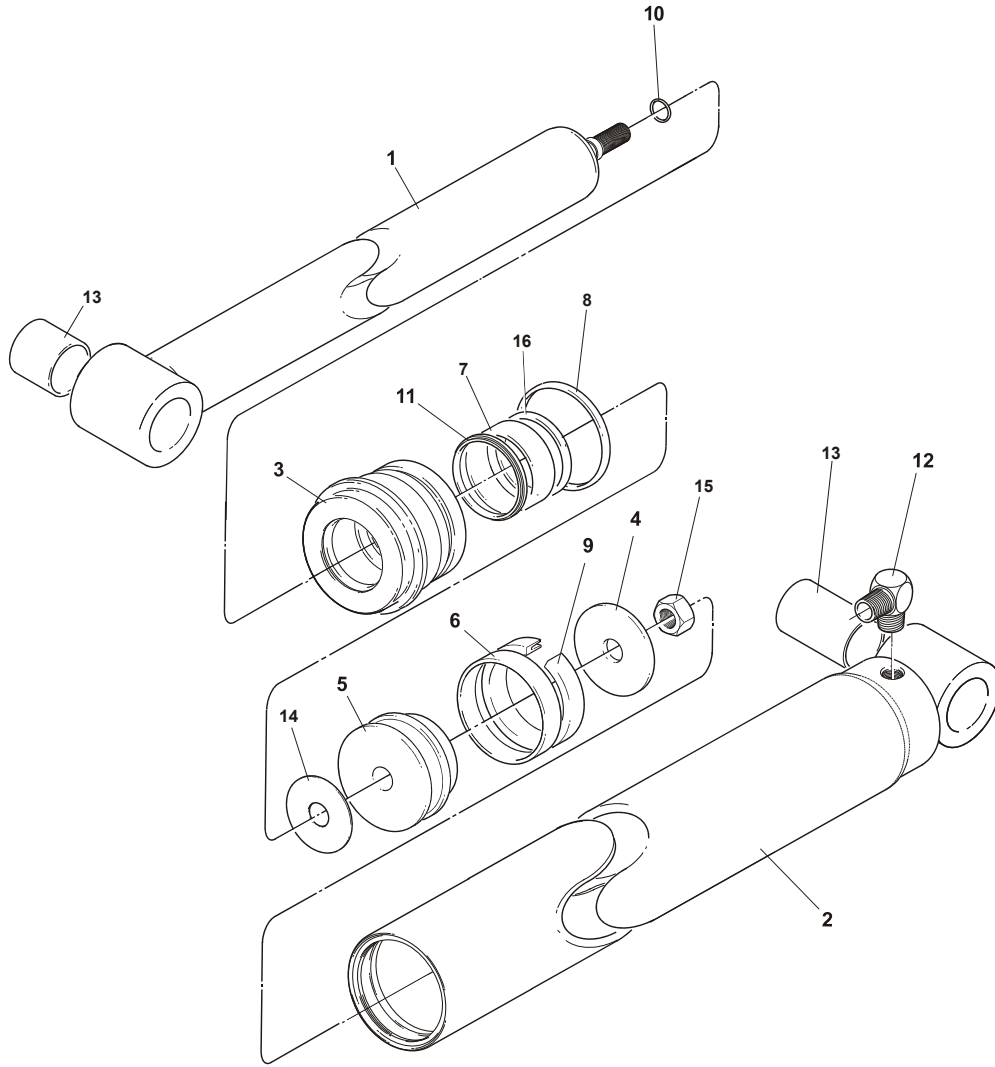
Continued...

**General Assembly - 10 & 12,000 lb. Cap. - 108" Deck Length**

<b>Item</b>	<b>Qty</b>	<b>Part No</b>	<b>General Description</b>	<b>Specific Description</b>
29	2	034-504	Adapter, 0103-6-6	10,&12,000/108"
30	4	034-599	Fitting Elbow Forged 6MP-4MP-90	10,&12,000/108"
31	3	033-663	Velocity Fuse - 7.5 GPM	10,&12,000/108"
32	1	312-5080-5	Guard Rail, Right Side 108"Deck	10,&12,000/108"
33	1	312-5077	Guard Rail Weld (96-1/2"X45")	10,&12,000/108"
34	1	302-5007-3	Lip Assy 60" Spring Assist 1pc ,18"Lg]	10,&12,000/108"
35	2	809-483	Shaft, Lip (29-1/2" LG.)	10,&12,000/108"
36	2	013-011	Spring Pin - 1/4" X 1-3/8	10,&12,000/108"
37	1	091-023-0600	Chain (60"Lg) [3/16"Proof Coil Galvanized]	10,&12,000/108"
38	2	091-023-0540	Chain (54"Lg) 3/16"Proof Coil Galvanized	10,&12,000/60X108'
38	2	091-023-0660	Chain (66"Lg) 3/16"Proof Coil Galvanized	10,&12,000/72X108"
38	2	091-023-0780	Chain (78"Lg) 3/16"Proof Coil Galvanized	10,&12,000/84X108"
38	2	091-023-0900	Chain (90"Lg) 3/16"Proof Coil Galvanized	10,&12,000/96X108"
39	2	R3-19203	Hook Snap 4"Lg - 7/16"-20	10,&12,000/108"
40	2	120-353	Torsion Spring	10,&12,000/108"
41	2	034-674	Fitting, 1/4" Male X 3/8" Comp	10,&12,000/108"
42	2	091-000-0063	Tubing Black Nylon (6-3/8"Lg) 3/8"	10,&12,000/108"
43	2	035-085	Fitting Tee	10,&12,000/108"
44	2	091-000-0340	Tubing Black Nylon (34"Lg) 3/8"	10,&12,00060X108"
44	2	091-000-0400	Tubing Black Nylon (40"Lg) 3/8"	10,&12,000/72X108"
44	2	091-000-0460	Tubing Black Nylon (46"Lg) 3/8"	10,&12,000/84X108"
44	2	091-000-0520	Tubing Black Nylon (52"Lg) 3/8"	10,&12,000/96X108"
45	1	034-673	Fitting Nylon Tee (3/8" Comp)	10,&12,000/108"
46	4	025-087	Cable Ties	10,&12,000/108"
47	1	300-5006-3	Vent Line Kit (28'lg)	10,&12,000/60X108"
47	1	300-5006-4	Vent Line Kit (29'lg)	10,&12,000/72X108"
47	1	300-5006-5	Vent Line Kit (30'lg)	10,&12,000/84X108"
47	1	300-5006-6	Vent Line Kit (31'lg)	10,&12,000/84X108"



**8.8.1 Cylinder Assembly - 10 & 12,000 lb. Cap. - 108" Deck Length**



**Figure 37 : Cylinder Assembly - 10, & 12,000 lb. - 108" Deck Length**

Item	Qty	Part No	General Description	Specific Description
-	-	<b>780-144-210</b>	<b>Cylinder Ass'y (3-1/2"Dia) [21" Stroke]</b>	<b>10,&amp;12,000/108"</b>
1	1	786-855	Ram Assy 3", 3-1/2", & 4"	10,&12,000/108"
2	1	780-145	Housing Weldment (4"Dia)	10,&12,000/108"
3	1	117-966	Headnut 3-1/2" Dia. Cyl (2" Dia. Rod)	10,&12,000/108"
4	1	114-979	Piston Washer - (3-1/2" Dia)	10,&12,000/108"
5	1	114-639	Piston - 3-1/2"Dia Cyl	10,&12,000/108"
6●	1	036-155	Wear Ring Pist.Wd.3-1/2x1/2	10,&12,000/108"
7●	1	036-182	Wear Ring - 3" X .125" Thick	10,&12,000/108"
8●	1	036-131	O-Ring - 3-1/2"OD X 3-3/4"ID	10,&12,000/108"
9●	1	036-111	U-Cup - 3-1/2" X 2-7/8" X 1/2"	10,&12,000/108"
10●	1	036-108	O-Ring - 3/4"OD X 5/8"ID X 1/16"	10,&12,000/108"
11●	1	036-021	Wiping Ring - 2"ID	10,&12,000/108"
12	1	034-500	Fitting, 6-6	10,&12,000/108"
13	2	018-027	Bushing	10,&12,000/108"
14●	1	117-993	Gasket	10,&12,000/108"
15	1	011-530	Nut, Hex Jam - 3/4"-10	10,&12,000/108"
16●	1	036-176	O-Ring (2-1/4" OD X 2" ID)	10,&12,000/108"
-	-	<b>783-557</b>	<b>Seal Kit Includes Items Marked (●)</b>	<b>10,&amp;12,000/108"</b>

**8.9 General Assembly - 10 & 12,000 lb. Cap. - 120" Deck Length**

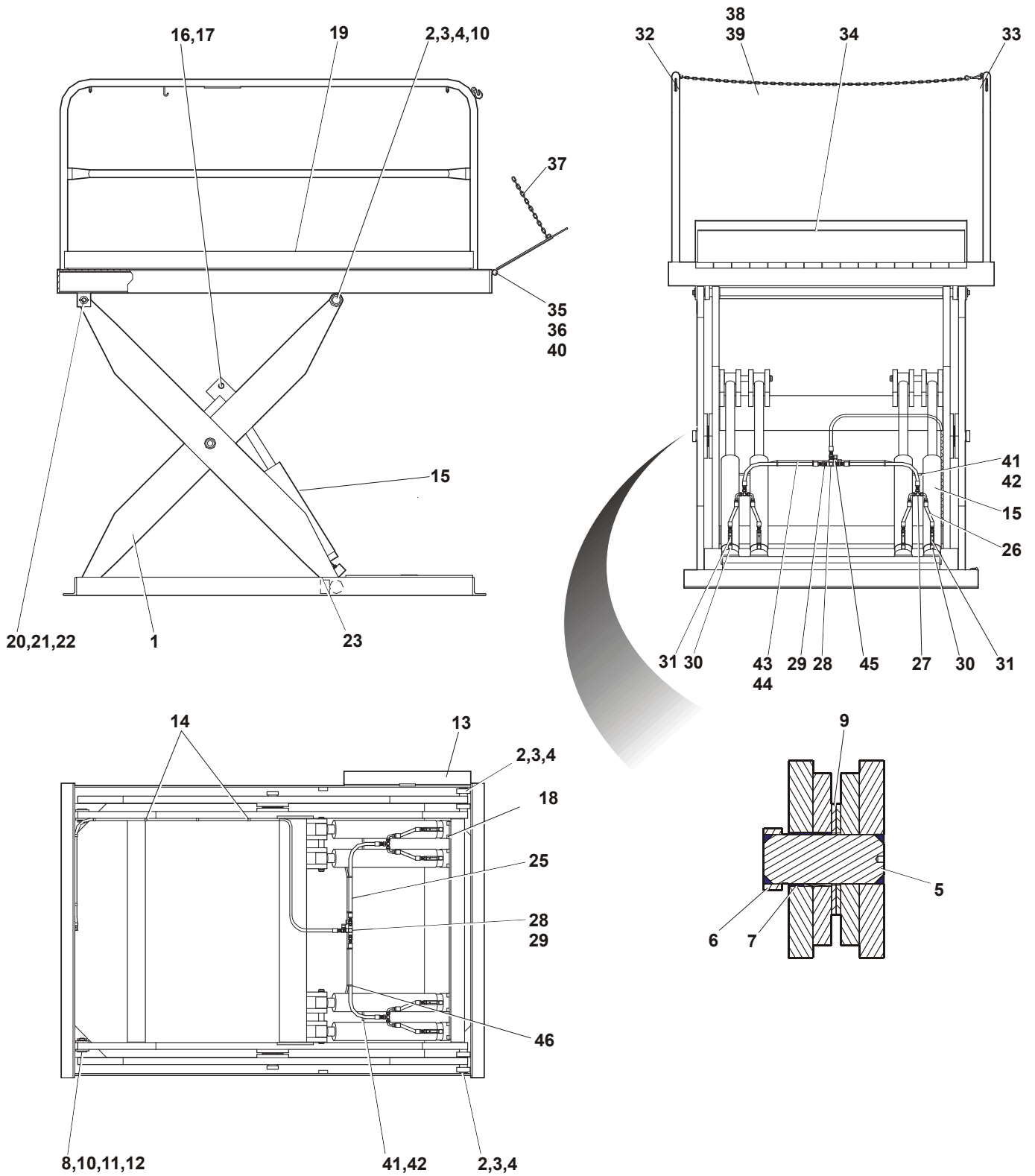


Figure 38 : General Assembly - 10 & 12,000 lb. - 120" Deck Length

**General Assembly - 10 & 12,000 lb. Cap. - 120" Deck Length**

Item	Qty	Part No	General Description	Specific Description
			<b>General Assy 10,&amp;12,000-120" Deck Lgth</b>	<b>REF. DWG. 310-5316</b>
<b>1*</b>	<b>1</b>	<b>333-5308</b>	<b>Frame/Leg Weldm't</b>	<b>10,&amp;12,000/60X120"</b>
<b>1*</b>	<b>1</b>	<b>333-5309</b>	<b>Frame/Leg Weldm't</b>	<b>10,&amp;12,000/72X120"</b>
<b>1*</b>	<b>1</b>	<b>333-5310</b>	<b>Frame/Leg Weldm't</b>	<b>10,&amp;12,000/84X120"</b>
<b>1*</b>	<b>1</b>	<b>313-5015</b>	<b>Frame/Leg Weldm't</b>	<b>10,&amp;12,000/96X120"</b>
2	2	019-001	Bearing, 3"OD X 1-5/8"ID X 1"W	10,&12,000/120"
3	4	011-066	Capscrew, Hex Skt F/H - 5/16"-18 X 3/4"	10,&12,000/120"
4	2	013-005	Spring Pin 5/32"x1"Lg	10,&12,000/120"
5	2	114-652	Centre Pin 1-1/2" Thk Leg (5-7/8" Lg)	10,&12,000/120"
6	2	114-606	Collar - 2" (Centre Pin Mod Ed)	10,&12,000/120"
7	2	018-034	Bushing - 2"IDx2"LG	10,&12,000/120"
8	4	018-051	Bushing - 1"IDx3/4"LG	10,&12,000/120"
9	2	012-219	Washer, Flat-2.13" IDx4.5"ODx0.187" TH	10,&12,000/120"
10	2	798-049	Pin Ass'y (1-1/2" Thick Legs)	10,&12,000/120"
11	2	013-012	Spring Pin - 1/4" X 2	10,&12,000/120"
12	6	106-389	Spacer Washer, 1-3/4"ODx1"IDx1/16"TH	10,&12,000/120"
13	1	822-440	Strut Weldment, Maintenance	10,&12,000/120"
14	8	035-262	Strap (#6 Hose Clamp)	10,&12,000/120"
<b>15**</b>	<b>4</b>	<b>780-144-210</b>	<b>Cylinder Ass'y (3-1/2"Dia) [21" Stroke]</b>	<b>10,&amp;12,000/120"</b>
<b>15**</b>	<b>4</b>	<b>780-144-214</b>	<b>Cylinder Ass'y (3-1/2"Dia) [21-1/2" Stroke]</b>	<b>ED10/96X120"</b>
16	3	115-043	Pin-Cylinder Pivot	10,&12,000/120"
17	6	013-036	Retaining Ring Ext. - 1-1/4"ID	10,&12,000/120"
18	6	104-476	Lip Stop (3/4"X5/8")	10,&12,000/120"
19	1	312-5144	Deck Ass'y S2 10,&12,000/60x120	10,&12,000/60X120"
19	1	312-5145	Deck Ass'y S2 10,&12,000/72x120	10,&12,000/72X120"
19	1	312-5146	Deck Ass'y S2 10,&12,000/84x120	10,&12,000/84X120"
19	1	312-5147	Deck Ass'y S2 10,&12,000/96x120	10,&12,000/96X120"
19	1	312-5055	Deck Ass'y S3 (Taprd) 10,&12,000/60x120	10,&12,000/60X120"
19	1	312-5056	Deck Ass'y S3 (Taprd) 10,&12,000/72x120	10,&12,000/72X120"
19	1	312-5057	Deck Ass'y S3 (Taprd) 10,&12,000/84x120	10,&12,000/84X120"
19	1	312-5058	Deck Ass'y S3 (Taprd) 10,&12,000/96x120	10,&12,000/96X120"
20	2	798-049	Pin Ass'y (1-1/2" Thick Legs)	10,&12,000/120"
21	6	106-389	Spacer Washer - 1-3/4"OD X 1"ID X 1/16Th	10,&12,000/120"
22	2	013-012	Spring Pin - 1/4" X 2	10,&12,000/120"
23	2	117-005	Roller Stop	10,&12,000/120"
24	1.6GA	039-066	Paint, Blue (Fast Dry Enamel)	10,&12,000/120"

\* - INDENTED SUB-ASSEMBLY – SHOWN ON SAME PAGE

\*\* - SUBASSEMBLY SHOWN ON SEPARATE PAGE

*Continued...*

### General Assembly - 10 & 12,000 lb. Cap. - 120" Deck Length

Item	Qty	Part No	General Description	Specific Description
25	2	300-5001-15	Hose, #8 HP (26"Lg) Str.Swivel(2)	10,&12,000/60X120"
25	2	300-5000-20	Hose, #8 HP (34"Lg) Str.Swivel(2)	10,000/72X120"
25	2	300-5001-53	Hose, #8 HP (38"Lg) Str.Swivel(2)	10,&12,000/84X120"
25	2	300-5001-20	Hose, #6 HP (34"Lg) Str.Swivel(2)	10,000/96X120"
25	2	300-5000-11	Hose, #6 HP (18"Lg) Str.Swivel(2)	12,000/72X120"
25	2	300-5000-21	Hose, #8 HP (48"Lg) Str.Swivel(2)	12,000/96X120"
26	4	300-5005	Hose, #6 HP - 90 Deg. - Str. Swivel	10,&12,000/120" Lg.
26	4	300-5000-1	Hose, #6 HP (6"Lg) - Str. Swivel(2)	10,000/96X120" 12,000/72X120"
27	1	034-551	Fitting, Tee 033T-6-6	10,&12,000/120"
28	1	034-571	Fitting, Tee 022T-6-6	10,&12,000/120"
29	2	034-504	Adapter, 0103-6-6	10,&12,000/120"
30	4	034-599	Fitting Elbow Forged 6MP-4MP-90°	10,&12,000/120"
31	3	033-663	Velocity Fuse - 7.5 GPM	10,&12,000/120"
32	1	312-5080-6	Guard Rail, Right Side 120"Deck	10,&12,000/120"
33	1	312-5078	Guard Rail Weld (96-1/2"X45")	10,&12,000/120"
34	1	302-5007-3	Lip Assy 60" Spring Assist 1pc ,18"Lg]	10,&12,000/120"
35	2	809-483	Shaft, Lip (29-1/2" LG.)	10,&12,000/120"
36	2	013-011	Spring Pin - 1/4" X 1-3/8	10,&12,000/120"
37	1	091-023-0600	Chain (60"Lg) [3/16"Proof Coil Galvanized]	10,&12,000/120"
38	2	091-023-0540	Chain (54"Lg) 3/16"Proof Coil Galvanized	10,&12,000/60X120"
38	2	091-023-0660	Chain (66"Lg) 3/16"Proof Coil Galvanized	10,&12,000/72X120"
38	2	091-023-0780	Chain (78"Lg) 3/16"Proof Coil Galvanized	10,&12,000/84X120'
38	2	091-023-0900	Chain (90"Lg) 3/16"Proof Coil Galvanized	10,000/96X120"
39	2	R3-19203	Hook Snap 4"Lg - 7/16"-20	10,&12,000/120"
40	2	120-353	Torsion Spring	10,&12,000/120"
41	2	034-674	Fitting, 1/4" Male X 3/8" Comp	10,&12,000/120"
42	2	091-000-0063	Tubing Black Nylon (6-3/8"Lg) 3/8"	10,&12,000/120"
43	2	035-085	Fitting Tee	10,&12,000/120"
44	2	091-000-0340	Tubing Black Nylon (34"Lg) 3/8"	10,&12,000/60X120"
44	2	091-000-0400	Tubing Black Nylon (40"Lg) 3/8"	10,&12,000/72X120"
44	2	091-000-0460	Tubing Black Nylon (46"Lg) 3/8"	10,000/84X120"
44	2	091-000-0520	Tubing Black Nylon (52"Lg) 3/8"	10,000/96X120"
45	1	034-673	Fitting Nylon Tee (3/8" Comp)	10,&12,000/120"
46	4	025-087	Cable Ties	10,&12,000/120"
47	1	300-5006-4	Vent Line Kit (29'lg)	10,&12,000/60X120"
47	1	300-5006-5	Vent Line Kit (30'lg)	10,&12,000/72X120"
47	1	300-5006-6	Vent Line Kit (31'lg)	10,&12,000/84X120"
47	1	300-5006-7	Vent Line Kit (32'lg)	10,&12,000/96X120"
48	1	300-5001-41	Hose, #8 HP (168"Lg) Str.Swivel(2)	10,000/96X120"
48	1	300-5001-39	Hose, #8 HP (148"Lg) Str.Swivel(2)	12,000/72X120"

**8.9.1 Cylinder Assembly - 10 & 12,000 lb. Cap. - 120" Deck Length**

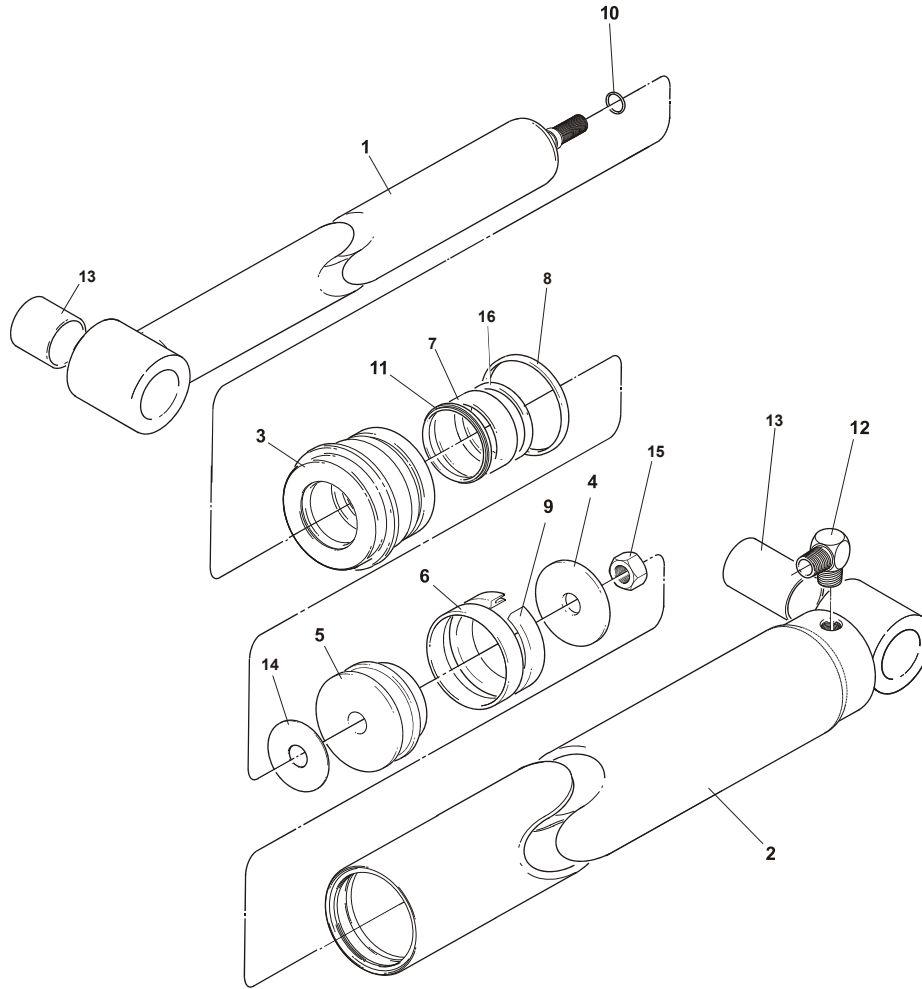


Figure 39 : Cylinder Assembly - 10&12,000 lb. - 120" Deck Length

Item	Qty	Part No	General Description	Specific Description
-	-	<b>780-144-210</b>	<b>Cylinder Ass'y (3-1/2"Dia) [21" Stroke]</b>	<b>10,&amp;12,000/120"</b>
-	-	<b>780-144-214</b>	<b>Cylinder Ass'y (3-1/2"Dia) [21-1/2" Stroke]</b>	<b>10,000/96X120"</b>
1	1	786-855	Ram Assy 3", 3-1/2", & 4"	10,&12,000/120"
2	1	780-145	Housing Weldment (4"Dia)	10,&12,000/120"
3	1	117-966	Headnut 3-1/2" Dia. Cyl (2" Dia. Rod)	10,&12,000/120"
4	1	114-979	Piston Washer - (3-1/2" Dia)	10,&12,000/120"
5	1	114-639	Piston - 3-1/2"Dia Cyl	10,&12,000/120"
6●	1	036-155	Wear Ring Pist.Wd.3-1/2x1/2	10,&12,000/120"
7●	1	036-182	Wear Ring - 3" X .125" Thick	10,&12,000/120"
8●	1	036-131	O-Ring - 3-1/2"OD X 3-3/4"ID	10,&12,000/120"
9●	1	036-111	U-Cup - 3-1/2" X 2-7/8" X 1/2"	10,&12,000/120"
10●	1	036-108	O-Ring - 3/4"OD X 5/8"ID X 1/16"	10,&12,000/120"
11●	1	036-021	Wiping Ring - 2"ID	10,&12,000/120"
12	1	034-500	Fitting, 6-6	10,&12,000/120"
13	2	018-027	Bushing	10,&12,000/120"
14●	1	117-993	Gasket	10,&12,000/120"
15	1	011-530	Nut, Hex Jam - 3/4"-10	10,&12,000/120"
16●	1	036-176	O-Ring (2-1/4" OD X 2" ID)	10,&12,000/120"
-	-	<b>783-557</b>	<b>Seal Kit Includes Items Marked (●)</b>	<b>10,&amp;12,000/120"</b>

**8.10 General Assembly - 10 & 12,000 lb. Cap. - 144" Deck Length**

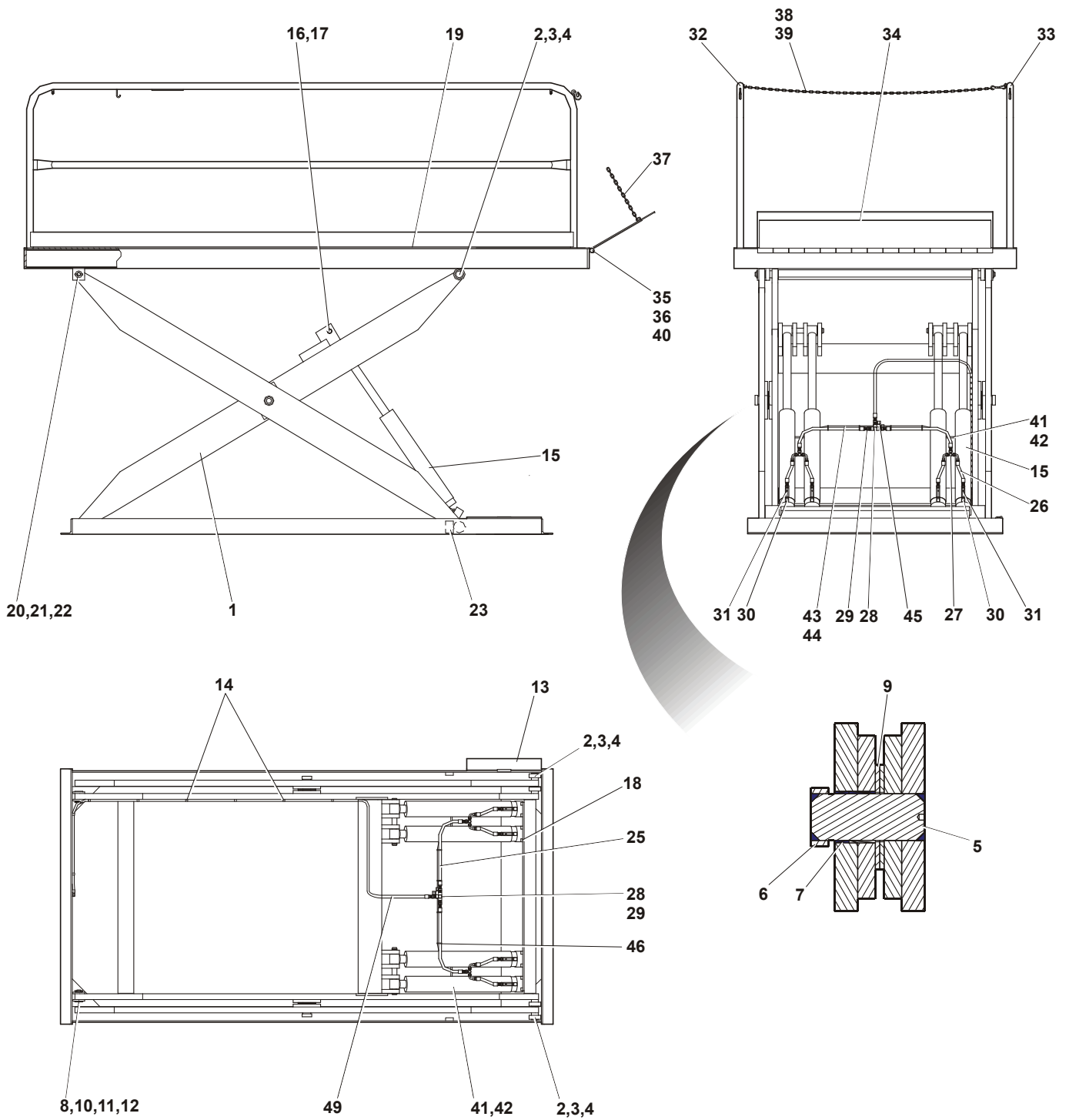


Figure 40 : General Assembly - 10&12,000 lb. - 144" Deck Length

**General Assembly - 10 & 12,000 lb. Cap. - 144" Deck Length**

Item	Qty	Part No	General Description	Specific Description
			<b>General Assy 10,&amp;12,000-144" Deck Lgth</b>	<b>REF. DWG. 310-5327</b>
<b>1*</b>	<b>1</b>	<b>313-5017</b>	<b>Frame/Leg Weldm't</b>	<b>10,&amp;12,000/60X144"</b>
<b>1*</b>	<b>1</b>	<b>333-5312</b>	<b>Frame/Leg Weldm't</b>	<b>10,&amp;12,000/72X144"</b>
<b>1*</b>	<b>1</b>	<b>333-5313</b>	<b>Frame/Leg Weldm't</b>	<b>10,&amp;12,000/84X144"</b>
<b>1*</b>	<b>1</b>	<b>313-5018</b>	<b>Frame/Leg Weldm't</b>	<b>10,&amp;12,000/96X144"</b>
2	2	019-001	Bearing, 3"OD X 1-5/8"ID X 1"W	10,&12,000/144"
3	4	011-066	Capscrew, Hex Sockt F/H - 5/16"-18x3/4"	10,&12,000/144"
4	2	013-005	Spring Pin 5/32"x1"Lg	10,&12,000/144"
5	2	114-652	Leg Centre Pin 1-1/2" Thk Leg (5-7/8"Lg)	10,&12,000/144"
6	2	114-606	Collar - 2" (Centre Pin Mod Ed)	10,&12,000/144"
7	2	018-034	Bushing - 2"IDx2"LG	10,&12,000/144"
8	4	018-051	Bushing - 1"IDx3/4"LG	10,&12,000/144"
9	2	012-219	Washer,Flat-2.13" IDx4.5"ODx0.187" TK	10,&12,000/144"
10	2	798-049	Pin Ass'y (1-1/2" Thick Legs)	10,&12,000/144"
11	2	013-012	Spring Pin - 1/4" X 2	10,&12,000/144"
12	6	106-389	Spacer Washer, 1-3/4"ODx1"IDx1/16"TH	10,&12,000/144"
13	1	822-440	Strut Weldment, Maintenance	10,&12,000/144"
14	8	035-262	Strap (#6 Hose Clamp)	10,&12,000/144"
<b>15**</b>	<b>4</b>	<b>780-144-232</b>	<b>Cylinder Ass'y (3-1/2"Dia) [23-1/4" Stroke]</b>	<b>10,&amp;12,000/144" Lg.</b>
<b>15**</b>	<b>4</b>	<b>780-144-240</b>	<b>Cylinder Ass'y (3-1/2"Dia) [24" Stroke]</b>	<b>10,000/84X144"</b>
16	3	115-043	Pin-Cylinder Pivot	10,&12,000/144"
17	6	013-036	Retaining Ring Ext. - 1-1/4"ID	10,&12,000/144"
18	6	104-476	Lip Stop (3/4"X5/8")	10,&12,000/144"
19	1	312-5157	Deck Ass'y S2 ED10,12/60x144	10,&12,000/60X144"
19	1	312-5158	Deck Ass'y S2 ED10,12/72x144	10,&12,000/72X144"
19	1	312-5159	Deck Ass'y S2 ED10,12/84x144	10,&12,000/84X144"
19	1	312-5160	Deck Ass'y S2 ED10,12/96x144	10,&12,000/96X144"
19	1	312-5067	Deck Ass'y S3 Tapered ED10,12/60x144	10,&12,000/60X144"
19	1	312-5068	Deck Ass'y S3 Tapered ED10,12/72x144	10,&12,000/72X144"
19	1	312-5069	Deck Ass'y S3 Tapered ED10,12/84x144	10,&12,000/84X144"
19	1	312-5070	Deck Ass'y S3 Tapered ED10,12/96x144	10,&12,000/96X144"
20	2	798-049	Pin Ass'y (1-1/2" Thick Legs)	10,&12,000/144"
21	6	106-389	Spacer Washer - 1-3/4"Od X 1"ld X 1/16thk	10,&12,000/144"
22	2	013-012	Spring Pin - 1/4" X 2	10,&12,000/144"
23	2	117-005	Roller Stop	10,&12,000/144"
24	1.6GA	039-066	Paint, Blue (Fast Dry Enamel)	10,&12,000/144"
25	2	300-5001-15	Hose, #8 HP (26"Lg) Str.Swivel(2)	10,&12,000/60X144"
25	2	300-5000-20	Hose, #8 HP (34"Lg) Str.Swivel(2)	10,000/72-84X144"
25	2	300-5001-53	Hose, #8 HP (38"Lg) Str.Swivel(2)	10,&12,000/84X144"
25	2	300-5001-20	Hose, #6 HP (34"Lg) Str.Swivel(2)	10,000/96X144"
25	2	300-5000-21	Hose, #8 HP (48"Lg) Str.Swivel(2)	12,000/96X144"
26	4	300-5000	Hose, #6 HP - 90 Deg. - Str. Swivel	10,&12,000 -144" Lg.
26	4	300-5000-1	Hose, #6 HP (6"Lg) - Str. Swivel(2)	10,000/84X144"

\* - INDENTED SUB-ASSEMBLY – SHOWN ON SAME PAGE

\*\* - SUBASSEMBLY SHOWN ON SEPARATE PAGE

*Continued...*

## General Assembly - 10 & 12,000 lb. Cap. - 144" Deck Length

Item	Qty	Part No	General Description	Specific Description
27	1	034-551	Fitting, Tee 033T-6-6	10,&12,000/144"
28	1	034-571	Fitting, Tee 022T-6-6	10,&12,000/144"
29	2	034-504	Adapter, 0103-6-6	10,&12,000/144"
30	4	034-599	Fitting Elbow Forged 6MP-4MP-90	10,&12,000/144"
31	3	033-663	Velocity Fuse - 7.5 GPM	10,&12,000/144"
32	1	312-5080-7	Guard Rail, Right Side 144"Deck	10,&12,000/144"
33	1	312-5079	Guard Rail Weld (96-1/2"X45")	10,&12,000/144"
34	1	302-5007-3	Lip Assy 60" Spring Assist 1pc ,18"Lg]	10,&12,000/144"
35	2	809-483	Shaft, Lip (29-1/2" LG.)	10,&12,000/144"
36	2	013-011	Spring Pin - 1/4" X 1-3/8	10,&12,000/144"
37	1	091-023-0600	Chain (60"Lg) [3/16"Proof Coil Galvanized]	10,&12,000/144"
38	2	091-023-0540	Chain (54"Lg) 3/16"Proof Coil Galvanized	10,&12,000/60X144"
38	2	091-023-0660	Chain (66"Lg) 3/16"Proof Coil Galvanized	10,&12,000/72X144"
38	2	091-023-0780	Chain (78"Lg) 3/16"Proof Coil Galvanized	10,&12,000/84X144"
38	2	091-023-0900	Chain (90"Lg) 3/16"Proof Coil Galvanized	10,000/96X144"
39	2	R3-19203	Hook Snap 4"Lg - 7/16"-20	10,&12,000/144"
40	2	120-353	Torsion Spring	10,&12,000/144"
41	2	034-674	Fitting, 1/4" Male X 3/8" Comp	10,&12,000/144"
42	2	091-000-0063	Tubing Black Nylon (6-3/8"Lg) 3/8"	10,&12,000/144"
43	2	035-085	Fitting Tee	10,&12,000/144"
44	2	091-000-0340	Tubing Black Nylon (34"Lg) 3/8"	10,&12,000/60X144"
44	2	091-000-0400	Tubing Black Nylon (40"Lg) 3/8"	10,&12,000/72X144"
44	2	091-000-0460	Tubing Black Nylon (46"Lg) 3/8"	10,000/84X144"
44	2	091-000-0520	Tubing Black Nylon (52"Lg) 3/8"	10,000/96X144"
45	1	034-673	Fitting Nylon Tee (3/8" Comp)	10,&12,000/144"
46	4	025-087	Cable Ties	10,&12,000/144"
47	1	300-5006-6	Vent Line Kit (31'lg)	10,&12,000/60X144"
48	1	300-5006-7	Vent Line Kit (32'lg)	10,&12,000/72X144"
48	1	300-5006-8	Vent Line Kit (33'lg)	10,&12,000/84X144"
48	1	300-5006-9	Vent Line Kit (34'lg)	10,&12,000/96X144"
49	1	300-5001-47	Hose, #8 HP (240"Lg) Str.Swivel(2)	10,000/84X144"
50		834-298	Pop-Up Safety Stop Assy	10,000/84X144"



**8.10.1 Cylinder Assembly - 10 & 12,000 lb. Cap. - 144" Deck Length**

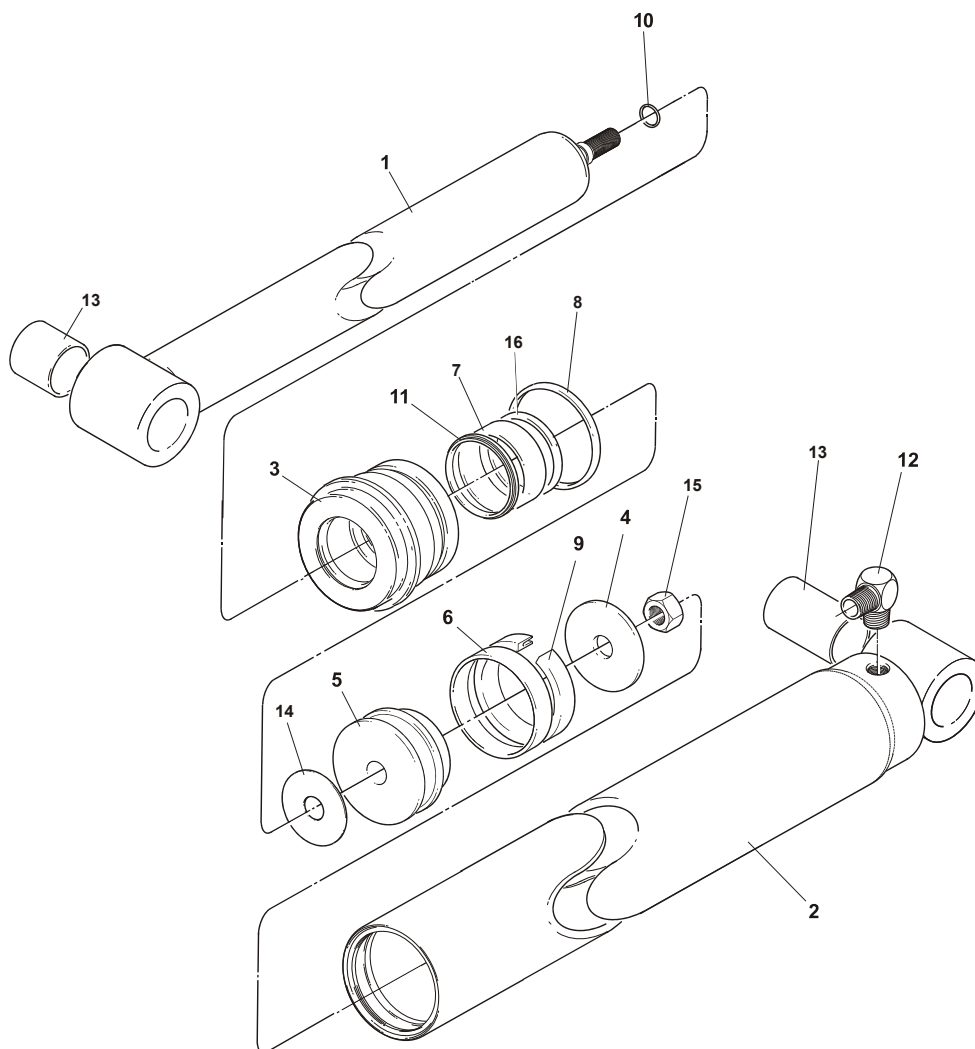


Figure 41 : Cylinder Assembly - Model 10, 12 - 144" Deck Length

Item	Qty	Part No	General Description	Specific Description
-	-	780-144-232	Cylinder Ass'y (3-1/2"Dia) [23-1/4" Stroke]	10,&12,000/144"
-	-	780-144-240	Cylinder Ass'y (3-1/2"Dia) [24" Stroke]	10,000/84X144"
1	1	786-855	Ram Assy 3", 3-1/2", & 4"	10,&12,000/144"
2	1	780-145	Housing Weldment (3-1/2"Dia)	10,&12,000/144"
3	1	117-966	Headnut 3-1/2" Dia. Cyl (2" Dia. Rod)	10,&12,000/144"
4	1	114-979	Piston Washer - (3-1/2" Dia)	10,&12,000/144"
5	1	114-639	Piston - 3-1/2"Dia Cyl	10,&12,000/144"
6●	1	036-155	Wear Ring Pist.Wd.3-1/2x1/2	10,&12,000/144"
7●	1	036-182	Wear Ring - 3" X .125" Thick	10,&12,000/144"
8●	1	036-131`	O-Ring - 3-1/2"OD X 3-3/4"ID	10,&12,000/144"
9●	1	036-116	U-Cup - 4" X 3-3/8" X 1/2"	10,&12,000/144"
10●	1	036-108	O-Ring - 3/4"OD X 5/8"ID X 1/16"	10,&12,000/144"
11●	1	036-021	Wiping Ring - 2"ID	10,&12,000/144"
12	1	034-500	Fitting, 6-6	10,&12,000/144"
13	2	018-027	Bushing	10,&12,000/144"
14●	1	117-993	Gasket	10,&12,000/144"
15●	1	036-176	O-Ring (2-1/4" OD X 2" ID)	10,&12,000/144"
16	1	011-530	Nut, Hex Jam - 3/4"-10	10,&12,000/144"
		783-557	Kit, seal - Includes Items marked (●)	10,&12,000/144"

**9. Parts Listings - Stationary Elevating Docks - 21" Lowered Height**

**9.1 General Assembly - 15 & 20,000 lb. Cap. - 96" Deck Length**

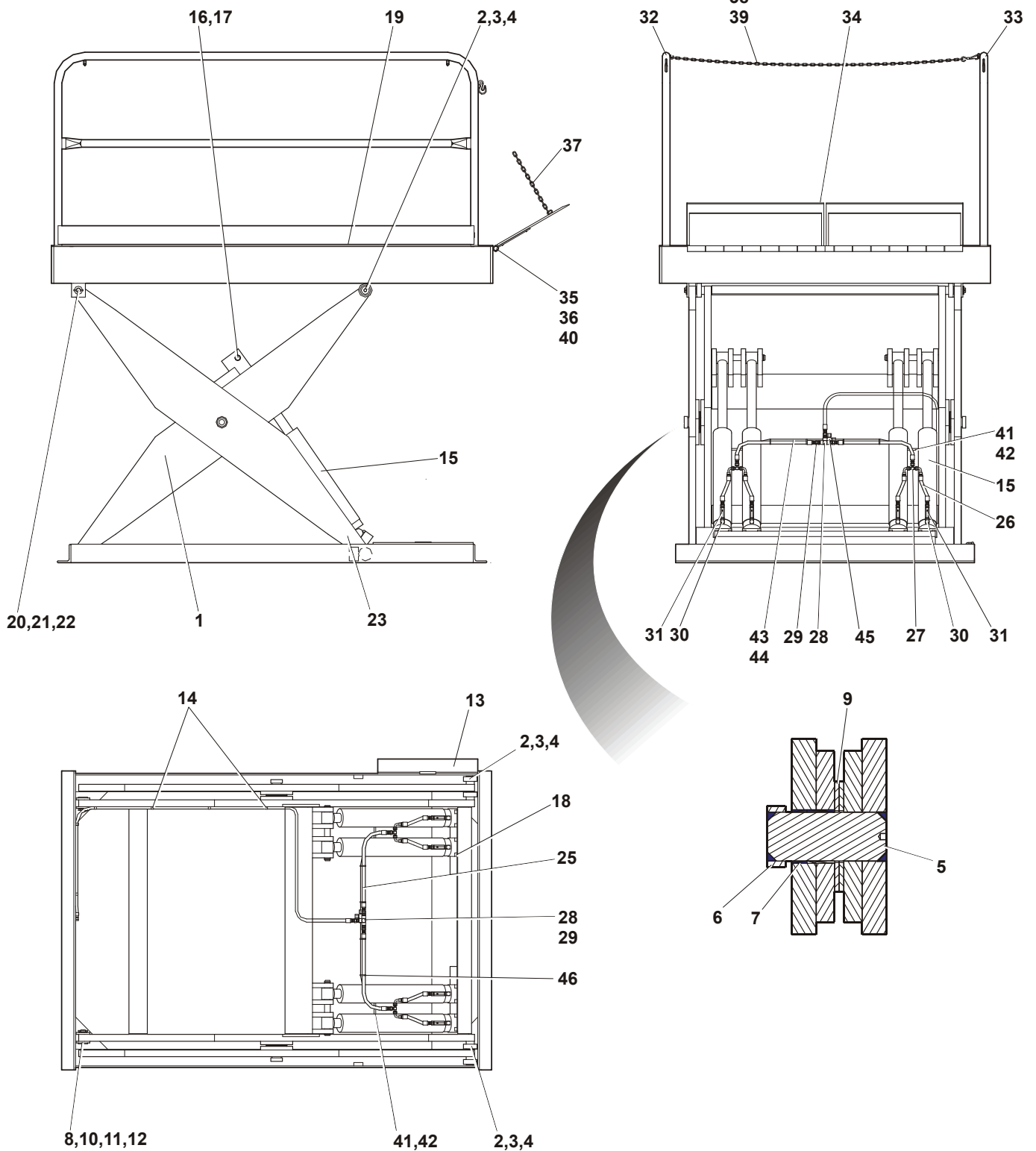


Figure 42 : General Assembly - 15,& 20,000 lb. - 96" Deck Length

**General Assembly - 15 & 20,000 lb. Cap. - 96" Deck Length**

Item	Qty	Part No	General Description	Specific Description
			<b>General Assy 15,&amp;20,000 - 96" Deck Lgth</b>	<b>REF. DWG. 310-5382</b>
1*	1	313-5120	Frame/Leg Weldm't	15,000/60X96"
1*	1	313-5121	Frame/Leg Weldm't	15,000/72X96"
1*	1	313-5122	Frame/Leg Weldm't	15,000/84X96"
1*	1	313-5123	Frame/Leg Weldm't	15,000/96X96"
1*	1	313-5126	Frame/Leg Weldm't	20,000/60X96"
1*	1	313-5127	Frame/Leg Weldm't	20,000/72X96"
1*	1	313-5128	Frame/Leg Weldm't	20,000/84X96"
1*	1	313-5129	Frame/Leg Weldm't	20,000/96X96"
2	2	019-001	Bearing, 3"OD X 1-5/8"ID X 1"W	15,&20,000/96"
3	4	011-066	Capscrew, Hex Sckt F/H-5/16"-18 X 3/4"	15,&20,000/96"
4	2	013-005	Spring Pin 5/32"x1"Lg	15,&20,000/96"
5	2	114-652	Leg Centre Pin 1-1/2" Thk Leg(5-7/8" Lg)	15,&20,000/96"
6	2	114-606	Collar - 2" (Centre Pin Mod Ed)	15,&20,000/96"
7	2	018-031	Bushing - 2"IDx1"LG	15,&20,000/96"
8	4	018-051	Bushing - 1"IDx3/4"LG	15,&20,000/96"
9	2	012-219	Washer, Flat 2.13"IDx4.5"ODx0.187" THK	15,&20,000/96"
10	2	798-049	Pin Ass'y (1-1/2" Thick Legs)	15,&20,000/96"
11	2	013-012	Spring Pin - 1/4" X 2"	15,&20,000/96"
12	6	106-389	Spacer Washer, 1-3/4"ODx1"IDx1/16"THK	15,&20,000/96"
13	1	822-440	Strut Weldment, Maintenance	15,&20,000/96"
14	8	035-262	Strap (#6 Hose Clamp)	15,&20,000/96"
15**	4	780-144-200	<b>Cylinder Ass'y (3-1/2"Dia) [20" Stroke]</b>	<b>15,000/96"</b>
15**	4	780-142-200	<b>Cylinder Ass'y (4"Dia) [20" Stroke]</b>	<b>20,000/96"</b>
15**	4	780-142-204	<b>Cylinder Ass'y (4"Dia) [20-1/2" Stroke]</b>	<b>20,000/72X96"</b>
16	2	115-043	Pin-Cylinder Pivot	15,&20,000/96"
17	8	013-036	Retaining Ring Ext. - 1-1/4"ld	15,&20,000/96"
18	6	104-476	Lip Stop (3/4"X5/8")	15,&20,000/96"
19	1	312-5218	Deck Ass'y S2 15,&20,000/60x96	15,&20,000/60X96"
19	1	312-5219	Deck Ass'y S2 15,&20,000/72x96	15,&20,000/72X96"
19	1	312-5220	Deck Ass'y S2 15,&20,000/84x96	15,&20,000/84X96"
19	1	312-5221	Deck Ass'y S2 15,&20,000/96x96	15,&20,000/96X96"
19	1	312-5163	Deck Ass'y S3 (Tapered) 15,&20,000/60x96	15,&20,000/60X96"
19	1	312-5164	Deck Ass'y S3 (Tapered) 15,&20,000/72x96	15,&20,000/72X96"
19	1	312-5165	Deck Ass'y S3 (Tapered) 15,&20,000/84x96	15,&20,000/84X96"
19	1	312-5166	Deck Ass'y S3 (Tapered) 15,&20,000/96x96	15,&20,000/96X96"
20	2	798-049	Pin Ass'y (1-1/2" Thick Legs)	15,&20,000/96"
21	6	106-389	Spacer Washer - 1-3/4"Od X 1"ld X 1/16thk	15,&20,000/96"
22	2	013-012	Spring Pin - 1/4" X 2	15,&20,000/96"
23	2	117-005	Roller Stop	15,&20,000/96"
24	1.6GA	039-066	Paint, Blue (Fast Dry Enamel)	15,&20,000/96"

\* - INDENTED SUB-ASSEMBLY – SHOWN ON SAME PAGE

\*\* - SUBASSEMBLY SHOWN ON SEPARATE PAGE

Continued...

## General Assembly - 15 & 20,000 lb. Cap. - 96" Deck Length

Item	Qty	Part No	General Description	Specific Description
25	2	300-5000-15	Hose, #8 HP (26"Lg) Str.Swivel(2)	15,000/60X96"
25	2	300-5001-15	Hose, #8 HP (26"Lg) Str.Swivel(2)	20,000/60X96"
25	2	300-5000-20	Hose, #8 HP (34"Lg) Str.Swivel(2)	15,000/72X96"
25	2	300-5001-20	Hose, #8 HP (34"Lg) Str.Swivel(2)	20,000/72X96"
25	2	300-5001-53	Hose, #8 HP (38"Lg) Str.Swivel(2)	15,&20,000/84X96"
25	2	300-5001-21	Hose, #8 HP (48"Lg) Str.Swivel(2)	15,&20,000/96X96"
26	4	300-5000	Hose, #6 HP - 4" Lg - Str. Swivel(2)	15,&20,000/96"
27	1	034-551	Fitting, Tee 033T-6-6	15,&20,000/96"
28	1	034-571	Fitting, Tee 022T-6-6	15,&20,000/96"
29	2	034-504	Adapter, 0103-6-6	15,&20,000/96"
30	4	034-599	Fitting Elbow Forged 6MP-4MP-90	15,&20,000/96"
31	3	033-663	Velocity Fuse - 7.5 GPM	15,000/96"
31	3	033-549	Velocity Fuse - 9 GPM	20,000/96"
32	1	312-5080-4	Guard Rail, Right Side 96"Deck	15,&20,000/96"
33	1	312-5076	Guard Rail Weld (84-1/2"X45")	15,&20,000/96"
34	1	302-5007-3	Lip Assy 60" Spring Assist 1pc ,18"Lg]	15,000/96"
34	1	302-5007-2	Lip Assy 60" Spring Assist 1pc ,18"Lg]	20,000/96"
35	2	809-483	Shaft, Lip Hinge 29-1/2"	15,&20,000/96"
36	2	013-011	Spring Pin - 1/4" X 1-3/8	15,&20,000/96"
37	1	091-023-0600	Chain (60"Lg) [3/16"Proof Coil Galvanized]	15,&20,000/96"
38	2	091-023-0540	Chain (54"Lg) 3/16"Proof Coil Galvanized	15,000/60X96"
38	2	091-036-0540	Chain (54"Lg) 1/8"Proof Coil Galvanized	20,000/60X96"
38	2	091-023-0660	Chain (66"Lg) 3/16"Proof Coil Galvanized	15,000/72X96"
38	2	091-036-0660	Chain (66"Lg) 1/8"Proof Coil Galvanized	20,000/72X96"
38	2	091-023-0780	Chain (78"Lg) 3/16"Proof Coil Galvanized	15,000/84X96"
38	2	091-036-0780	Chain (78"Lg) 1/8"Proof Coil Galvanized	20,000/84X96"
38	2	091-023-0900	Chain (90"Lg) 3/16"Proof Coil Galvanized	15,&20,000/96X96"
39	2	R3-19203	Hook Snap 4"Lg - 7/16"-20nf	15,&20,000/96"
40	2	120-353	Torsion Spring	15,&20,000/96"
41	2	034-674	Fitting, 1/4" Male X 3/8" Comp	15,&20,000/96"
42	2	091-000-0063	Tubing Black Nylon (6-3/8"Lg) 3/8"	15,&20,000/96"
43	2	035-085	Fitting Tee	15,&20,000/96"
44	2	091-000-0340	Tubing Black Nylon (34"Lg) 3/8"	15,&20,000/60X96"
44	2	091-000-0400	Tubing Black Nylon (40"Lg) 3/8"	15,&20,000/72X96"
44	2	091-000-0460	Tubing Black Nylon (46"Lg) 3/8"	15,&20,000/84X96"
44	2	091-000-0520	Tubing Black Nylon (52"Lg) 3/8"	15,&20,000/96X96"
45	1	034-673	Fitting Nylon Tee (3/8" Comp)	15,&20,000/96"
46	4	025-087	Cable Ties	15,&20,000/96"
47	1	300-5006-6	Vent Line Kit (31'lg)	15,&20,000/60X96"
47	1	300-5006-7	Vent Line Kit (32'lg)	15,&20,000/72X96"
47	1	300-5006-8	Vent Line Kit (33'lg)	15,&20,000/84X96"
47	1	300-5006-9	Vent Line Kit (34'lg)	15,&20,000/96X96"

**9.1.1 Cylinder Assembly - 15 & 20,000 lb. Cap. - 96" Deck Length**

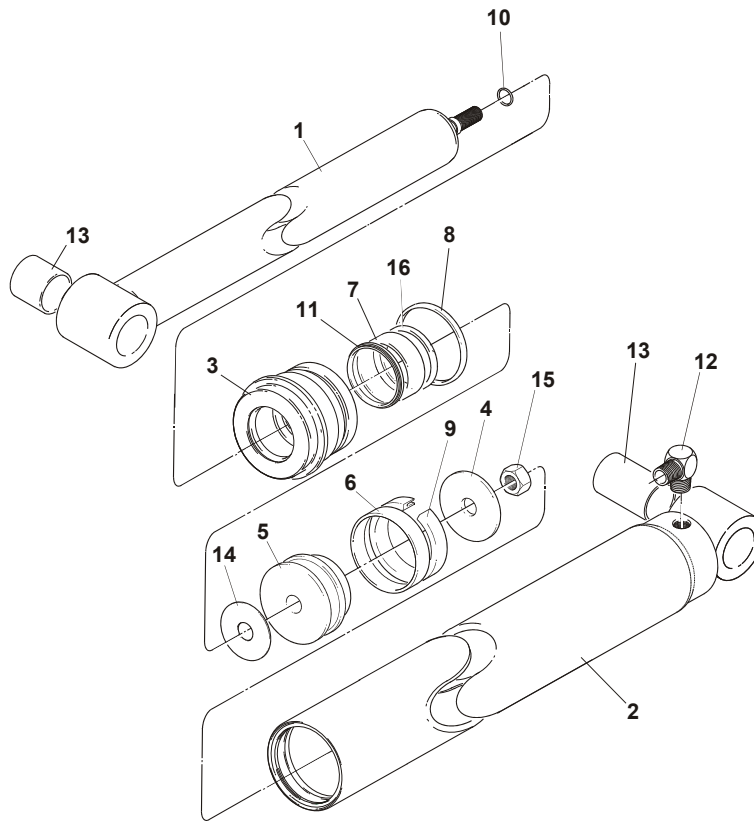


Figure 43 : Cylinder Assembly - 10,&12,000 - 144" Deck Length

Item	Qty	Part No	General Description	Specific Description
-	-	780-144-200	Cylinder Ass'y (3-1/2"Dia) [20" Stroke]	15,000/96"
-	-	780-142-200	Cylinder Ass'y (4"Dia) [20" Stroke]	20,000/96"
		780-142-204	Cylinder Ass'y (4"Dia) [20-1/2" Stroke]	20,000/72X96"
1	1	786-855	Ram Assy 3", 3-1/2", & 4"	15,&20,000/96"
2	1	780-145	Housing Weldment (3-1/2"Dia)	15,000/96"
2	1	780-143	Housing Weldment (4"Dia)	20,000/96"
3	1	117-966	Headnut 3-1/2" Dia. Cyl (2" Dia. Rod)	15,000/96"
3	1	117-989	Headnut 4" Dia. Cyl (2" Dia. Rod)	20,000/96"
4	1	114-979	Piston Washer - (3-1/2" Dia)	15,000/96"
4	1	114-980	Piston Washer - (4" Dia)	20,000/96"
5	1	114-639	Piston - 3-1/2"Dia Cyl	15,000/96"
5	1	114-638	Piston - 4"Dia Cyl	20,000/96"
6●	1	036-155	Wear Ring Pist.Wd.3-1/2x1/2	15,000/96"
6●	1	036-156	Wear Ring Piston	20,000/96"
7●	1	036-182	Wear Ring - 3" X .125" Thick	15,&20,000/96"
8●	1	036-131`	O-Ring - 3-1/2"OD X 3-3/4"ID	15,000/96"
8●	1	036-130	O-Ring - 4"OD X 3-3/4"ID	20,000/96"
9●	1	036-116	U-Cup - 4" X 3-3/8" X 1/2"	15,&20,000/96"
10●	1	036-108	O-Ring - 3/4"OD X 5/8"ID X 1/16"	15,&20,000/96"
11●	1	036-021	Wiping Ring - 2"ID	15,&20,000/96"
12	1	034-500	Fitting, 6-6	15,&20,000/96"
13	2	018-027	Bushing	15,&20,000/96"
14●	1	117-993	Gasket	15,&20,000/96"
15	1	011-530	Nut, Hex Jam - 3/4"-10	15,&20,000/96"
16●	1	036-176	O-Ring (2-1/4" OD X 2" ID)	15,&20,000/96"
		783-557	Kit, Seal - Includes Items marked (●)	15,000/96"
		783-572	Kit, Seal - Includes Items marked (●)	20,000/96"

**9.2 General Assembly - 15 & 20,000 lb. Cap. - 108" Deck Length**

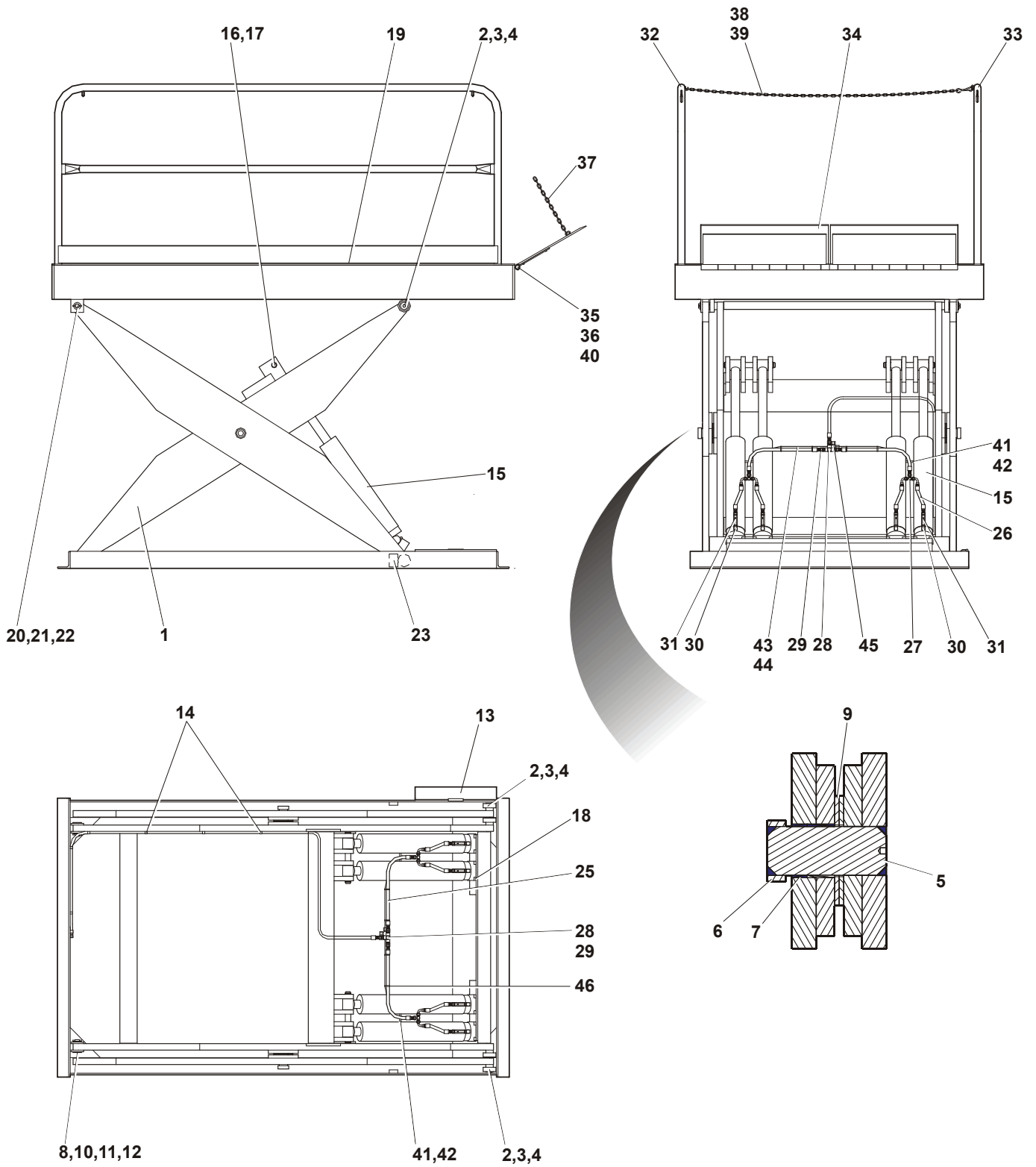


Figure 44 : General Assembly - 15, & 20,000 - 108" Deck Length

**General Assembly - 15 & 20,000 lb. Cap. - 108" Deck Length**

Item	Qty	Part No	General Description	Specific Description
			<b>General Assy 15,&amp;20,000 - 108" Deck Lgth</b>	<b>REF. DWG. 310-5393</b>
1*	1	313-5132	Frame/Leg Weldm't	15,000/60X108"
1*	1	313-5133	Frame/Leg Weldm't	15,000/72X108"
1*	1	313-5134	Frame/Leg Weldm't	15,000/84X108"
1*	1	313-5135	Frame/Leg Weldm't	15,000/96X108"
1*	1	313-5138	Frame/Leg Weldm't	20,000/60X108"
1*	1	313-5139	Frame/Leg Weldm't	20,000/72X108"
1*	1	313-5140	Frame/Leg Weldm't	20,000/84X108"
1*	1	313-5141	Frame/Leg Weldm't	20,000/96X108"
2	2	019-001	Bearing, 3"OD X 1-5/8"ID X 1"W	15,&20,000/108"
3	4	011-066	Capscrew, Hex Skt F/H - 5/16"-18 X 3/4"	15,&20,000/108"
4	2	013-005	Spring Pin 5/32"x1"Lg	15,&20,000/108"
5	2	114-652	Leg Centre Pin 1-1/2" Thk Leg (5-7/8" Lg)	15,&20,000/108"
6	2	114-606	Collar - 2" (Centre Pin Mod Ed)	15,&20,000/108"
7	2	018-031	Bushing - 2"IDx1"LG	15,&20,000/108"
8	4	018-051	Bushing - 1"IDx3/4"LG	15,&20,000/108"
9	2	012-219	Washer, Flat-2.13" IDx4.5"ODx0.187" TH	15,&20,000/108"
10	2	798-049	Pin Ass'y (1-1/2" Thick Legs)	15,&20,000/108"
11	2	013-012	Spring Pin - 1/4" X 2	15,&20,000/108"
12	6	106-389	Spacer Washer, 1-3/4"ODx1"IDx1/16"THK	15,&20,000/108"
13	1	822-440	Strut Weldment, Maintenance	15,&20,000/108"
14	8	035-262	Strap (#6 Hose Clamp)	15,&20,000/108"
15**	4	780-144-214	<b>Cylinder Ass'y (3-1/2"Dia) [21-1/2" Stroke]</b>	<b>15,000/108"</b>
15**	4	780-142-214	<b>Cylinder Ass'y (4"Dia) [20" Stroke]</b>	<b>20,000/108"</b>
16	2	115-043	Pin-Cylinder Pivot	15,&20,000/108"
17	8	013-036	Retaining Ring Ext. - 1-1/4"ID	15,&20,000/108"
18	6	104-476	Lip Stop (3/4"X5/8")	15,&20,000/108"
19	1	312-5224	Deck Ass'y S2 15,&20,000/60x108	15,&20,000/60X108"
19	1	312-5225	Deck Ass'y S2 15,&20,000/72x108	15,&20,000/72X108"
19	1	312-5226	Deck Ass'y S2 15,&20,000/84x108	15,&20,000/84X108"
19	1	312-5227	Deck Ass'y S2 15,&20,000/96x108	15,&20,000/96X108"
19	1	312-5169	Deck Ass'y S3 (Tapered) 15,&20,000/60x108	15,&20,000/60X108"
19	1	312-5170	Deck Ass'y S3 (Tapered) 15,&20,000/72x108	15,&20,000/72X108"
19	1	312-5171	Deck Ass'y S3 (Tapered) 15,&20,000/84x108	15,&20,000/84X108"
19	1	312-5172	Deck Ass'y S3 (Tapered) 15,&20,000/96x108	15,&20,000/96X108"
20	2	798-049	Pin Ass'y (1-1/2" Thick Legs)	15,&20,000/108"
21	6	106-389	Spacer Washer - 1-3/4"ODX 1"ID X 1/16thk	15,&20,000/108"
22	2	013-012	Spring Pin - 1/4" X 2"	15,&20,000/108"
23	2	117-005	Roller Stop	15,&20,000/108"
24	1.6GA	039-066	Paint, Blue (Fast Dry Enamel)	15,&20,000/108"

\* - INDENTED SUB-ASSEMBLY – SHOWN ON SAME PAGE

\*\* - SUBASSEMBLY SHOWN ON SEPARATE PAGE

Continued...

## General Assembly - 15 & 20,000 lb. Cap. - 108" Deck Length

Item	Qty	Part No	General Description	Specific Description
25	2	300-5001-15	Hose, #8 HP (26"Lg) Str.Swivel(2)	15,&20,000/60X108"
25	2	300-5001-20	Hose, #8 HP (34"Lg) Str.Swivel(2)	15,&20,000/72X108"
25	2	300-5001-53	Hose, #8 HP (38"Lg) Str.Swivel(2)	15,&20,000/84X108"
25	2	300-5001-21	Hose, #8 HP (48"Lg) Str.Swivel(2)	15,&20,000/96X108"
26	4	300-5000	Hose, #6 HP - 4" Lg - Str. Swivel(2)	15,&20,000/108"
27	1	034-551	Fitting, Tee 033T-6-6	15,&20,000/108"
28	1	034-571	Fitting, Tee 022T-6-6	15,&20,000/108"
29	2	034-504	Adapter, 0103-6-6	15,&20,000/108"
30	4	034-599	Fitting Elbow Forged 6MP-4MP-90°	15,&20,000/108"
31	3	033-663	Velocity Fuse - 7.5 GPM	15,000/108"
31	3	033-549	Velocity Fuse - 9 GPM	20,000/108"
32	1	312-5080-5	Guard Rail, Right Side 108"Deck	15,&20,000/108"
33	1	312-5077	Guard Rail Weld (84-1/2"X45")	15,&20,000/108"
34	1	302-5007-3	Lip Assy 60" Spring Assist 1pc ,18"Lg]	15,000/108"
34	1	302-5007-2	Lip Assy 60" Spring Assist 1pc ,18"Lg]	20,000/108"
35	2	809-483	Shaft, Lip Hinge 29-1/2"	15,&20,000/108"
36	2	013-011	Spring Pin - 1/4" X 1-3/8	15,&20,000/108"
37	1	091-023-0600	Chain (60"Lg) [3/16"Proof Coil Galvanized]	15,&20,000/108"
38	2	091-023-0540	Chain (54"Lg) 3/16"Proof Coil Galvanized	15,&20,000/60X108"
38	2	091-023-0660	Chain (66"Lg) 3/16"Proof Coil Galvanized	15,&20,000/72X108"
38	2	091-023-0780	Chain (78"Lg) 3/16"Proof Coil Galvanized	15,&20,000/84X108"
38	2	091-023-0900	Chain (90"Lg) 3/16"Proof Coil Galvanized	15,000/96X108"
38	2	091-036-0780	Chain (78"Lg) 1/8"Proof Coil Galvanized	20,000/96X108"
39	2	R3-19203	Hook Snap 4"Lg - 7/16"-20	15,&20,000/108"
40	2	120-353	Torsion Spring	15,&20,000/108"
41	2	034-674	Fitting, 1/4" Male X 3/8" Comp	15,&20,000/108"
42	2	091-000-0063	Tubing Black Nylon (6-3/8"Lg) 3/8"	15,&20,000/108"
43	2	035-085	Fitting Tee	15,&20,000/108"
44	2	091-000-0340	Tubing Black Nylon (34"Lg) 3/8"	15,&20,000/60X108"
44	2	091-000-0400	Tubing Black Nylon (40"Lg) 3/8"	15,&20,000/72X108"
44	2	091-000-0460	Tubing Black Nylon (46"Lg) 3/8"	15,&20,000/84X108"
44	2	091-000-0520	Tubing Black Nylon (52"Lg) 3/8"	15,&20,000/96X108"
45	1	034-673	Fitting Nylon Tee (3/8" Comp)	15,&20,000/108"
46	4	025-087	Cable Ties	15,&20,000/108"
47	1	300-5006-3	Vent Line Kit (28'lg)	15,&20,000/60X108"
47	1	300-5006-4	Vent Line Kit (29'lg)	15,&20,000/72X108"
47	1	300-5006-5	Vent Line Kit (30'lg)	15,&20,000/84X108"
47	1	300-5006-6	Vent Line Kit (31'lg)	15,&20,000/96X108"



**9.2.1 Cylinder Assembly - 15 & 20,000 lb. Cap. - 108" Deck Length**

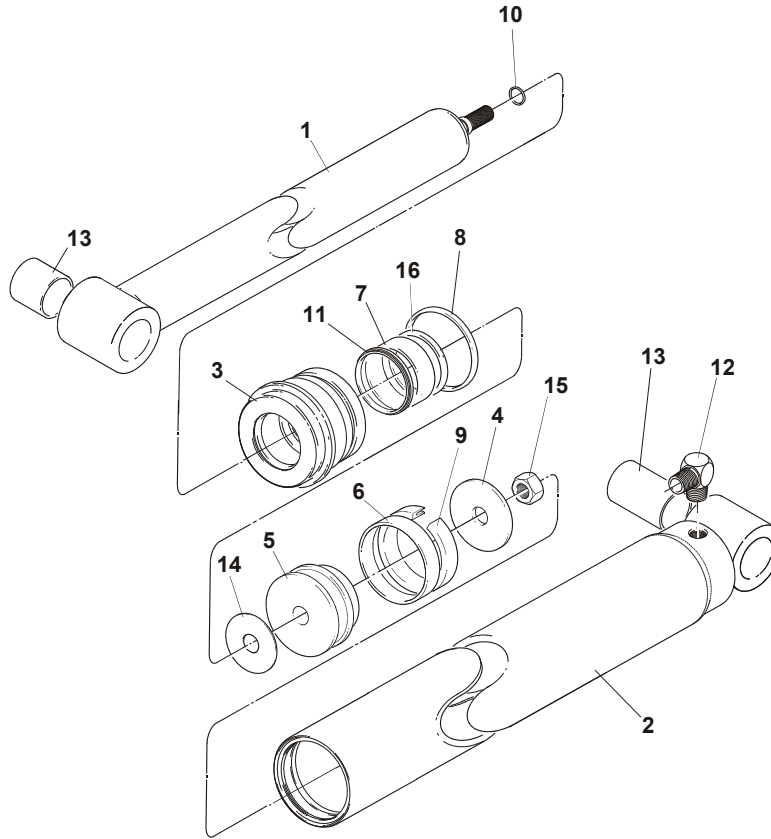


Figure 45 : Cylinder Assembly - 15, & 20,000 - 108" Deck Length

Item	Qty	Part No	General Description	Specific Description
-	-	<b>780-144-214</b>	<b>Cylinder Ass'y (3-1/2"Dia) [21-1/2" Stroke]</b>	<b>15,000/108"</b>
-	-	<b>780-142-214</b>	<b>Cylinder Ass'y (4"Dia) [20" Stroke]</b>	<b>20,000/108"</b>
1	1	786-855	Ram Assy 3", 3-1/2", & 4"	15,&20,000/108"
2	1	780-145	Housing Weldment (3-1/2"Dia)	15,000/108"
2	1	780-143	Housing Weldment (4"Dia)	20,000/108"
3	1	117-966	Headnut 3-1/2" Dia. Cyl (2" Dia. Rod)	15,000/108"
3	1	117-989	Headnut 4" Dia. Cyl (2" Dia. Rod)	20,000/108"
4	1	114-979	Piston Washer - (3-1/2" Dia)	15,000/108"
4	1	114-980	Piston Washer - (4" Dia)	20,000/108"
5	1	114-639	Piston - 3-1/2"Dia Cyl	15,000/108"
5	1	114-638	Piston - 4"Dia Cyl	20,000/108"
6●	1	036-155	Wear Ring Pist.Wd.3-1/2x1/2	15,000/108"
6●	1	036-156	Wear Ring Piston	20,000/108"
7●	1	036-182	Wear Ring - 3" X .125" Thick	15,&20,000/108"
8●	1	036-131`	O-Ring - 3-1/2"OD X 3-3/4"ID	15,000/108"
8●	1	036-130	O-Ring - 4"OD X 3-3/4"ID	20,000/108"
9●	1	036-116	U-Cup - 4" X 3-3/8" X 1/2"	15,&20,000/108"
10●	1	036-108	O-Ring - 3/4"OD X 5/8"ID X 1/16"	15,&20,000/108"
11●	1	036-021	Wiping Ring - 2"ID	15,&20,000/108"
12	1	034-500	Fitting, 6-6	15,&20,000/108"
13	2	018-027	Bushing	15,&20,000/108"
14●	1	117-993	Gasket	15,&20,000/108"
15●	1	036-176	O-Ring (2-1/4" OD X 2" ID)	15,&20,000/108"
16	1	011-530	Nut, Hex Jam - 3/4"-10	15,&20,000/108"
-	-	<b>783-557</b>	<b>Kit, seal - Includes Items marked (●)</b>	<b>15,000/108"</b>
-	-	<b>783-572</b>	<b>Kit, seal - Includes Items marked (●)</b>	<b>20,000/108"</b>

**9.3 General Assembly - 15 & 20,000 lb. Cap. - 120" Deck Length**

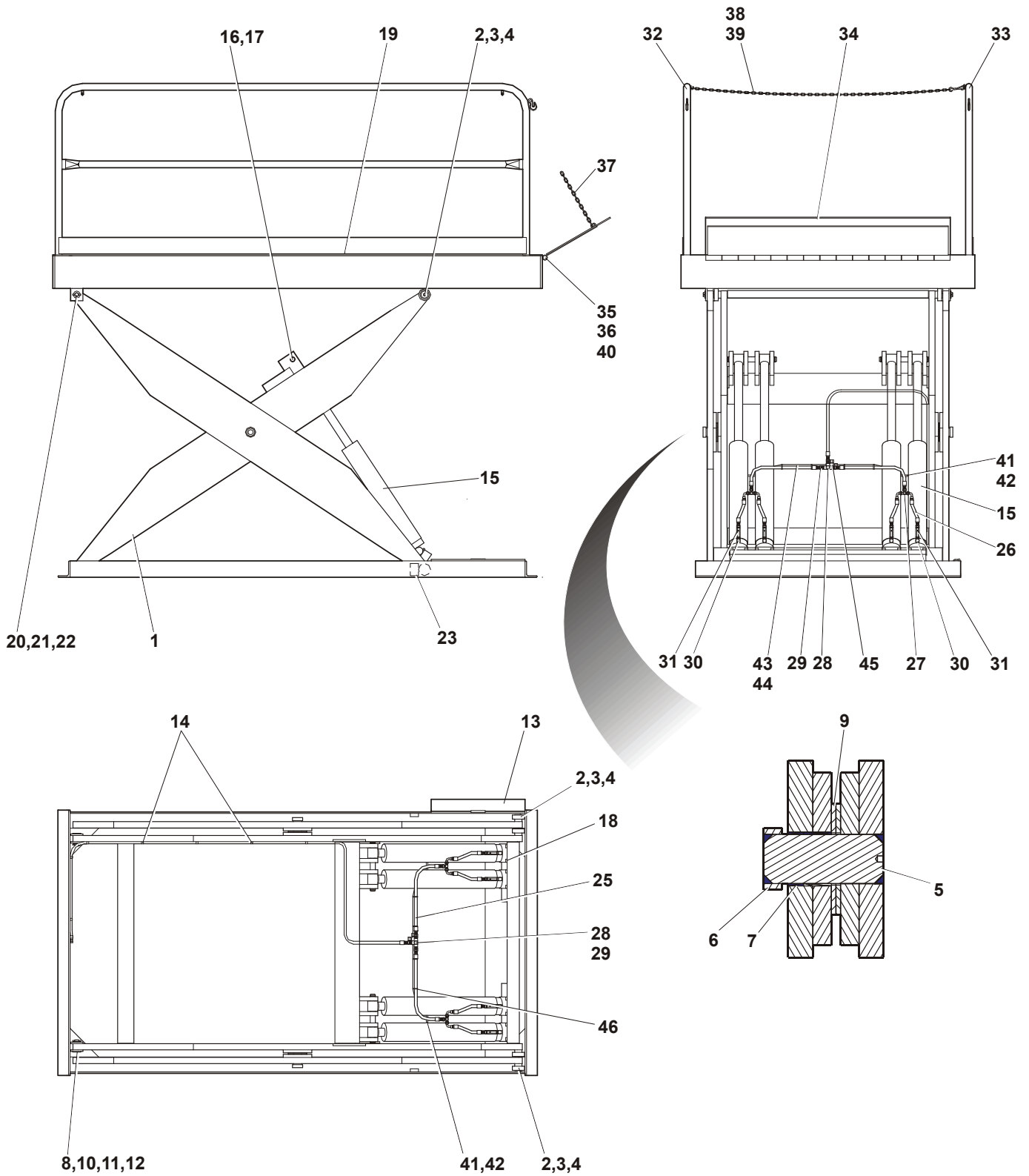


Figure 46 : General Assembly - 15, & 20,000 lb. - 120" Deck Length

Item	Qty	Part No	General Description	Specific Description
			<b>General Assy 15,&amp; 20,000-120" Deck Lgth</b>	<b>REF. DWG. 310-5404</b>
1*	1	313-5144	Frame/Leg Weldm't	15,000/60X120"
1*	1	313-5145	Frame/Leg Weldm't	15,000/72X120"
1*	1	313-5146	Frame/Leg Weldm't	15,000/84X120"
1*	1	313-5147	Frame/Leg Weldm't	15,000/96X120"
1*	1	313-5150	Frame/Leg Weldm't	20,000/60X120"
1*	1	313-5151	Frame/Leg Weldm't	20,000/72X120"
1*	1	313-5152	Frame/Leg Weldm't	20,000/84X120"
1*	1	313-5153	Frame/Leg Weldm't	20,000/96X120"
2	2	019-001	Bearing, 3"OD X 1-5/8"ID X 1"W	15,&20,000/120"
3	4	011-066	Capscrew, Hex Skt F/H - 5/16"-18 X 3/4"	15,&20,000/120"
4	2	013-005	Spring Pin 5/32"x1"Lg	15,&20,000/120"
5	2	114-652	Centre Pin 1-1/2" Thk Leg (5-7/8" Lg)	15,&20,000/120"
6	2	114-606	Collar - 2" (Centre Pin Mod Ed)	15,&20,000/120"
7	2	018-031	Bushing - 2"IDx1"LG	15,&20,000/120"
8	4	018-051	Bushing - 1"IDx3/4"LG	15,&20,000/120"
9	2	012-219	Washer, Flat -2.13"IDx4.5"ODx0.187" TH	15,&20,000/120"
10	2	798-049	Pin Ass'y (1-1/2" Thick Legs)	15,&20,000/120"
11	2	013-012	Spring Pin - 1/4" X 2	15,&20,000/120"
12	6	106-389	Spacer Washer, 1-3/4"ODx1"IDx1/16"TH	15,&20,000/120"
13	1	822-440	Strut Weldment, Maintenance	15,&20,000/120"
14	8	035-262	Strap (#6 Hose Clamp)	15,&20,000/120"
15**	4	780-144-244	<b>Cylinder Ass'y (3-1/2"Dia) [24-1/2" Stroke]</b>	<b>15,000/120"</b>
15**	4	780-142-244	<b>Cylinder Ass'y (4"Dia) [24-1/2" Stroke]</b>	<b>20,000/120"</b>
16	2	115-043	Pin-Cylinder Pivot	15,&20,000/120"
17	8	013-036	Retaining Ring Ext. - 1-1/4"ID	15,&20,000/120"
18	6	104-476	Lip Stop (3/4"X5/8")	15,&20,000/120"
19	1	312-5230	Deck Ass'y S2 15,&20,000/60x120	15,&20,000/60X120"
19	1	312-5231	Deck Ass'y S2 15,&20,000/72x120	15,&20,000/72X120"
19	1	312-5232	Deck Ass'y S2 15,&20,000/84x120	15,&20,000/84X120"
19	1	312-5233	Deck Ass'y S2 15,&20,000/96x120	15,&20,000/96X120"
19	1	312-5175	Deck Ass'y S3 (Taprd) 15,&20,000/60x120	15,&20,000/60X120"
19	1	312-5176	Deck Ass'y S3 (Taprd) 15,&20,000/72x120	15,&20,000/72X120"
19	1	312-5177	Deck Ass'y S3 (Taprd) 15,&20,000/84x120	15,&20,000/84X120"
19	1	312-5178	Deck Ass'y S3 (Taprd) 15,&20,000/96x120	15,&20,000/96X120"
20	2	798-049	Pin Ass'y (1-1/2" Thick Legs)	15,&20,000/120"
21	6	106-389	Spacer Washer - 1-3/4"ODX 1"ID X 1/16thk	15,&20,000/120"
22	2	013-012	Spring Pin - 1/4" X 2	15,&20,000/120"
23	2	103-445	Roller Stop	15,&20,000/120"
24	1.6GA	039-066	Paint, Blue (Fast Dry Enamel)	15,&20,000/120"

\* - INDENTED SUB-ASSEMBLY – SHOWN ON SAME PAGE

\*\* - SUBASSEMBLY SHOWN ON SEPARATE PAGE

Continued...

## General Assembly - 15 & 20,000 lb. Cap. - 120" Deck Length

Item	Qty	Part No	General Description	Specific Description
25	2	300-5001-15	Hose, #8 HP (26"Lg) Str.Swivel(2)	15,&20,000/60X120"
25	2	300-5001-20	Hose, #8 HP (34"Lg) Str.Swivel(2)	15,&20,000/72X120"
25	2	300-5001-53	Hose, #8 HP (38"Lg) Str.Swivel(2)	15,&20,000/84X120"
25	2	300-5001-21	Hose, #8 HP (48"Lg) Str.Swivel(2)	15,&20,000/96X120"
26	4	300-5000	Hose, #6 HP - 4" Lg - Str. Swivel(2)	15,&20,000/120"
27	1	034-551	Fitting, Tee 033T-6-6	15,&20,000/120"
28	1	034-571	Fitting, Tee 022T-6-6	15,&20,000/120"
29	2	034-504	Adapter, 0103-6-6	15,&20,000/120"
30	4	034-599	Fitting Elbow Forged 6MP-4MP-90	15,&20,000/120"
31	4	033-663	Velocity Fuse - 7.5 GPM	15,000/120"
31	4	033-549	Velocity Fuse - 9 GPM	20,000/120"
32	1	312-5080-6	Guard Rail, Right Side 120"Deck	15,&20,000/120"
33	1	312-5078	Guard Rail Weld (84-1/2"X45")	15,&20,000/120"
34	1	302-5007-3	Lip Assy 60" Spring Assist 1pc ,18"Lg]	15,000/120"
34	1	302-5007-2	Lip Assy 60" Spring Assist 1pc ,18"Lg]	20,000/120"
35	2	809-483	Shaft, Lip Hinge 29-1/2"	15,&20,000/120"
36	2	013-011	Spring Pin - 1/4" X 1-3/8	15,&20,000/120"
37	1	091-023-0600	Chain (60"Lg) [3/16"Proof Coil Galvanized]	15,&20,000/120"
38	2	091-023-0540	Chain (54"Lg) 3/16"Proof Coil Galvanized	15,&20,000/60X120"
38	2	091-023-0660	Chain (66"Lg) 3/16"Proof Coil Galvanized	15,&20,000/72X120"
38	2	091-023-0780	Chain (78"Lg) 3/16"Proof Coil Galvanized	15,&20,000/84X120"
38	2	091-023-0900	Chain (90"Lg) 3/16"Proof Coil Galvanized	15,000/96X120"
39	2	R3-19203	Hook Snap 4"Lg - 7/16"-20	15,&20,000/120"
40	2	120-353	Torsion Spring	15,&20,000/120"
41	2	034-674	Fitting, 1/4" Male X 3/8" Comp	15,&20,000/120"
42	2	091-000-0063	Tubing Black Nylon (6-3/8"Lg) 3/8"	15,&20,000/120"
43	2	035-085	Fitting Tee	15,&20,000/120"
44	2	091-000-0340	Tubing Black Nylon (34"Lg) 3/8"	15,&20,000/60X120"
44	2	091-000-0400	Tubing Black Nylon (40"Lg) 3/8"	15,&20,000/72X120'
44	2	091-000-0460	Tubing Black Nylon (46"Lg) 3/8"	15,&20,000/84X120"
44	2	091-000-0520	Tubing Black Nylon (52"Lg) 3/8"	15,&20,000/96X120"
45	1	034-673	Fitting Nylon Tee (3/8" Comp)	15,&20,000/120"
46	4	025-087	Cable Ties	15,&20,000/120"
47	1	300-5006-4	Vent Line Kit (29'lg)	15,&20,000/60X120"
47	1	300-5006-5	Vent Line Kit (30'lg)	15,&20,000/72X120"
47	1	300-5006-6	Vent Line Kit (31'lg)	15,&20,000/84X120"
47	1	300-5006-7	Vent Line Kit (32'lg)	15,&20,000/96X120"

**9.3.1 Cylinder Assembly - 15 & 20,000 lb. Cap. - 120" Deck Length**

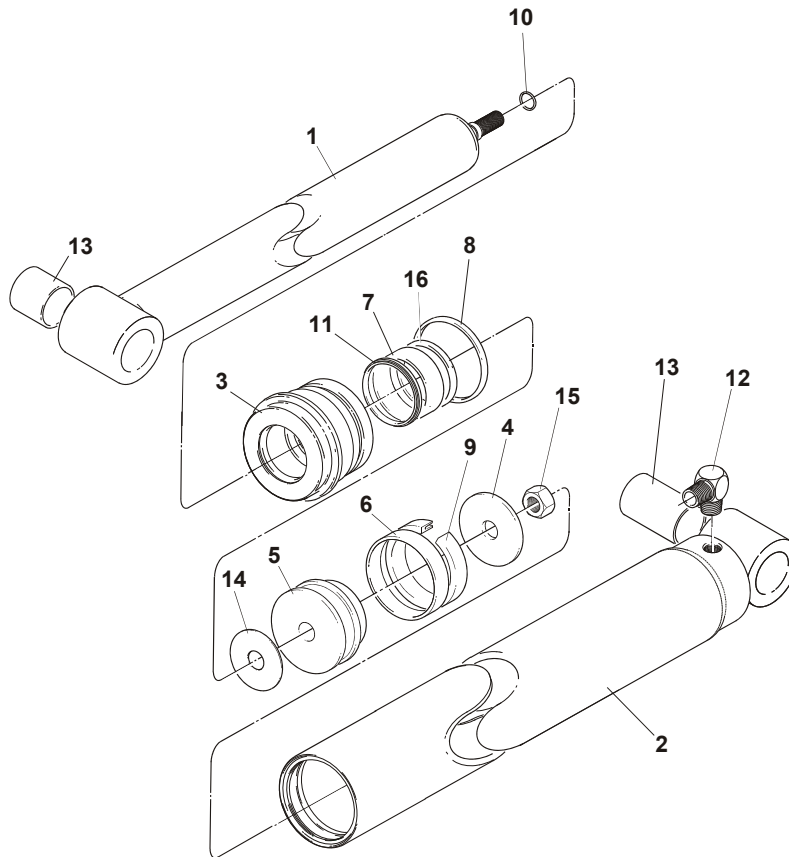


Figure 47 : Cylinder Assembly - 15, & 20,000 lb. - 120" Deck Length

Item	Qty	Part No	General Description	Specific Description
-	-	<b>780-144-244</b>	<b>Cylinder Ass'y (3-1/2"Dia) [24-1/2" Stroke]</b>	<b>15,000/120"</b>
-	-	<b>780-142-244</b>	<b>Cylinder Ass'y (4"Dia) [24-1/2" Stroke]</b>	<b>20,000/120"</b>
1	1	786-855	Ram Assy 3", 3-1/2", & 4"	15,&20,000/120"
2	1	780-145	Housing Weldment (3-1/2"Dia)	15,000/120"
2	1	780-143	Housing Weldment (4"Dia)	20,000/120"
3	1	117-966	Headnut 3-1/2" Dia. Cyl (2" Dia. Rod)	15,000/120"
3	1	117-989	Headnut 4" Dia. Cyl (2" Dia. Rod)	20,000/120"
4	1	114-979	Piston Washer - (3-1/2" Dia)	15,000/120"
4	1	114-980	Piston Washer - (4" Dia)	20,000/120"
5	1	114-639	Piston - 3-1/2"Dia Cyl	15,000/120"
5	1	114-638	Piston - 4"Dia Cyl	20,000/120"
6●	1	036-155	Wear Ring Pist.Wd.3-1/2x1/2	15,000/120"
6●	1	036-156	Wear Ring Piston	20,000/120"
7●	1	036-182	Wear Ring - 3" X .125" Thick	15,&20,000/120"
8●	1	036-131`	O-Ring - 3-1/2"OD X 3-3/4"ID	15,000/120"
8●	1	036-130	O-Ring - 4"OD X 3-3/4"ID	20,000/120"
9●	1	036-116	U-Cup - 4" X 3-3/8" X 1/2"	15,&20,000/120"
10●	1	036-108	O-Ring - 3/4"OD X 5/8"ID X 1/16"	15,&20,000/120"
11●	1	036-021	Wiping Ring - 2"ID	15,&20,000/120"
12	1	034-500	Fitting, 6-6	15,&20,000/120"
13	2	018-027	Bushing	15,&20,000/120"
14●	1	117-993	Gasket	15,&20,000/120"
15	1	011-530	Nut, Hex Jam - 3/4"-10	15,&20,000/120"
16●	1	036-176	O-Ring (2-1/4" OD X 2" ID)	15,&20,000/120"
-	-	<b>783-557</b>	<b>Kit, seal - Includes Items marked (●)</b>	<b>15,000/120"</b>
-	-	<b>783-572</b>	<b>Kit, seal - Includes Items marked (●)</b>	<b>20,000/120"</b>

**9.4 General Assembly - 15 & 20,000 lb. Cap. - 144" Deck Length**

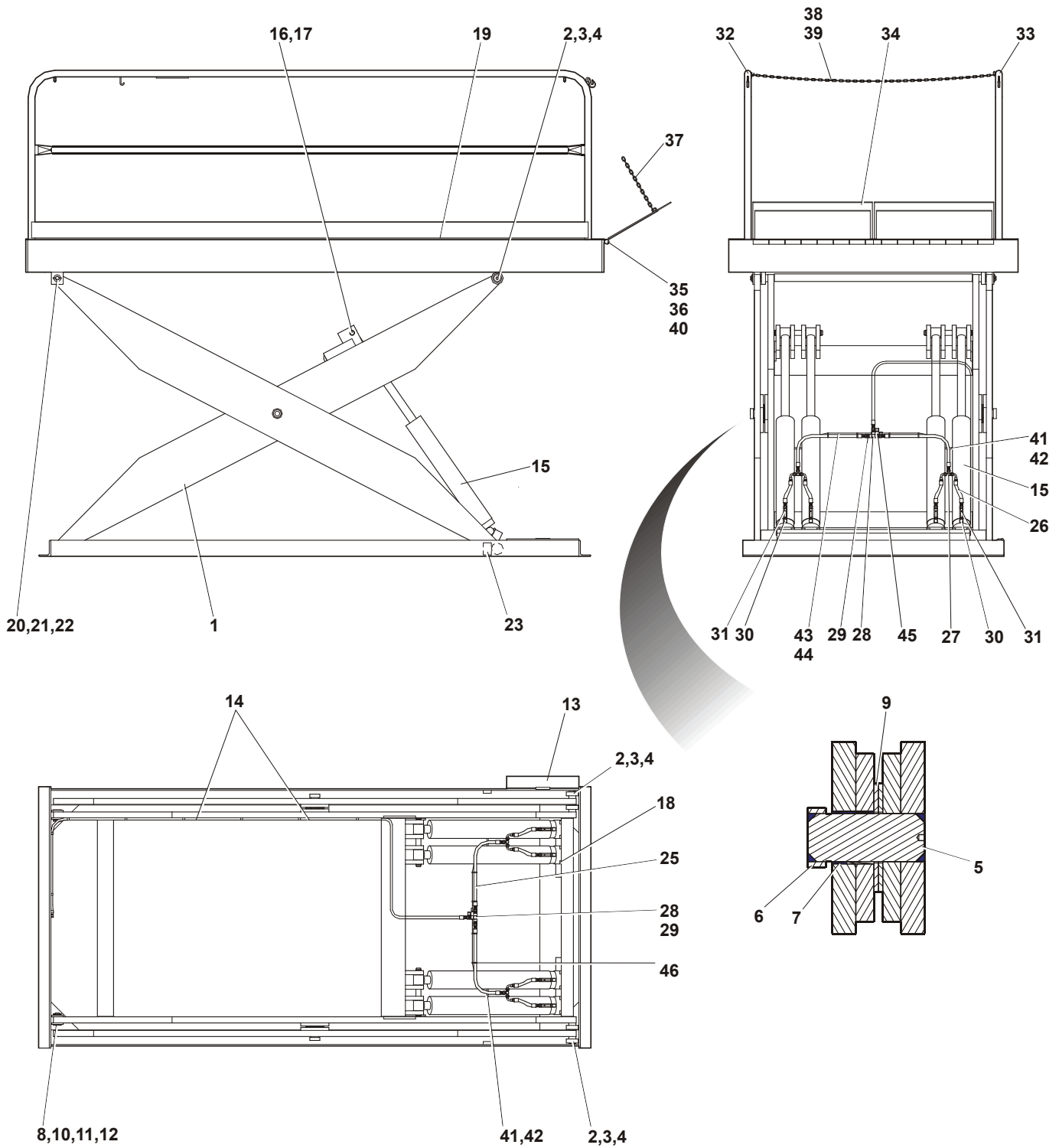


Figure 48 : General Assembly 15, & 20,000 - 144" Deck Length

**General Assembly - 15 & 20,000 lb. Cap. - 144" Deck Length**

Item	Qty	Part No	General Description	Specific Description
			<b>General Assy 15,&amp;20,000 -144" Deck Lgth</b>	<b>REF. DWG. 310-5415</b>
1*	1	313-5156	Frame/Leg Weldm't	ED15,20/60X144"
1*	1	313-5157	Frame/Leg Weldm't	ED15,20/72X144"
1*	1	313-5158	Frame/Leg Weldm't	ED15,20/84X144"
1*	1	313-5159	Frame/Leg Weldm't	ED15,20/96X144"
2	2	019-001	Bearing, 3"OD X 1-5/8"ID X 1"W	15,&20,000/144"
3	4	011-066	Capscrew, Hex Sockt F/H-5/16"-18X3/4"	15,&20,000/144"
4	2	013-005	Spring Pin 5/32"x1"Lg	15,&20,000/144"
5	2	114-652	Centre Pin 1-1/2" Thk Leg (5-7/8" Lg)	15,&20,000/144"
6	2	114-606	Collar - 2" (Centre Pin Mod Ed)	15,&20,000/144"
7	2	018-031	Bushing - 2"IDx1"LG	15,&20,000/144"
8	4	018-051	Bushing - 1"IDx3/4"LG	15,&20,000/144"
9	2	012-219	Washer, Flat Plain - 2.13" IDx4.5"ODx0.187" THK	15,&20,000/144"
10	2	798-049	Pin Ass'y (1-1/2" Thick Legs)	15,&20,000/144"
11	2	013-012	Spring Pin - 1/4" X 2	15,&20,000/144"
12	6	106-389	Washer, 1-3/4"Odx1"IDx1/16"THK	15,&20,000/144"
13	1	822-440	Strut Weldment, Maintenance	15,&20,000/144"
14	8	035-262	Strap (#6 Hose Clamp)	15,&20,000/144"
15**	4	780-142-270	<b>Cylinder Ass'y (4"Dia) [27" Stroke]</b>	<b>15,&amp;20,000/144"</b>
16	2	115-043	Pin-Cylinder Pivot	15,&20,000/144"
17	8	013-036	Retaining Ring Ext. - 1-1/4"Id	15,&20,000/144"
18	6	104-476	Lip Stop (3/4"X5/8")	15,&20,000/144"
19	1	312-5236	Deck Ass'y S2 15,&20,000/60x144	15,&20,000/60X144"
19	1	312-5237	Deck Ass'y S2 15,&20,000/72x144	15,&20,000/72X144"
19	1	312-5238	Deck Ass'y S2 15,&20,000/84x144	15,&20,000/84X144"
19	1	312-5239	Deck Ass'y S2 15,&20,000/96x144	15,&20,000/96X144"
19	1	312-5181	Deck Ass'y S3 (Taprd) 15,&20,000/60x144	15,&20,000/60X144"
19	1	312-5182	Deck Ass'y S3 (Taprd) 15,&20,000/72x144	15,&20,000/72X144"
19	1	312-5183	Deck Ass'y S3 (Taprd) 15,&20,000/84x144	15,&20,000/84X144"
19	1	312-5184	Deck Ass'y S3 (Taprd) 15,&20,000/96x144	15,&20,000/96X144"
20	2	798-049	Pin Ass'y (1-1/2" Thick Legs)	15,&20,000/144"
21	6	106-389	Spacer Washer - 1-3/4"OD X 1"ID X 1/16thk	15,&20,000/144"
22	2	013-012	Spring Pin - 1/4" X 2	15,&20,000/144"
23	2	103-445	Roller Stop	15,&20,000/144"
24	1.6GA	039-066	Paint, Blue (Fast Dry Enamel)	15,&20,000/144"
25	2	300-5001-15	Hose, #8 HP (26"Lg) Str.Swivel(2)	15,&20,000/60X144"
25	2	300-5001-20	Hose, #8 HP (34"Lg) Str.Swivel(2)	15,&20,000/72X144"
25	2	300-5001-53	Hose, #8 HP (38"Lg) Str.Swivel(2)	15,&20,000/84X144"
25	2	300-5001-21	Hose, #8 HP (48"Lg) Str.Swivel(2)	15,&20,000/96X144"
26	4	300-5005	Hose, #6 HP - 4" Lg - Str. Swivel(2)	15,&20,000/144"

\* - INDENTED SUB-ASSEMBLY – SHOWN ON SAME PAGE

\*\* - SUBASSEMBLY SHOWN ON SEPARATE PAGE

Continued...

### General Assembly - 15 & 20,000 lb. Cap. - 144" Deck Length

Item	Qty	Part No	General Description	Specific Description
27	1	034-551	Fitting, Tee 033T-6-6	15,&20,000/144"
28	1	034-571	Fitting, Tee 022T-6-6	15,&20,000/144"
29	2	034-504	Adapter, 0103-6-6	15,&20,000/144"
30	4	034-599	Fitting Elbow Forged 6MP-4MP-90°	15,&20,000/144"
31	4	033-549	Velocity Fuse - 9 GPM	15,&20,000/144"
32	1	312-5080-7	Guard Rail, Right Side 144"Deck	15,&20,000/144"
33	1	312-5079	Guard Rail Weld (84-1/2"X45")	15,&20,000/144"
34	1	302-5007-3	Lip Assy 60" Spring Assist 1pc ,18"Lg]	15,000/144"
34	1	302-5007-2	Lip Assy 60" Spring Assist 1pc ,18"Lg]	20,000/144"
35	2	809-483	Shaft, Lip Hinge 29-1/2"	15,&20,000/144"
36	2	013-011	Spring Pin - 1/4" X 1-3/8	15,&20,000/144"
37	1	091-023-0600	Chain (60"Lg) [3/16"Proof Coil Galvanized]	15,&20,000/144"
38	2	091-036-0540	Chain (54"Lg) 1/8"Proof Coil Galvanized	15,&20,000/60X144"
38	2	091-036-0660	Chain (66"Lg) 1/8"Proof Coil Galvanized	15,&20,000/72X144"
38	2	091-036-0780	Chain (78"Lg) 1/8"Proof Coil Galvanized	15,&20,000/84X144"
38	2	091-023-0900	Chain (90"Lg) 3/16"Proof Coil Galvanized	15,000/96X144"
39	2	R3-19203	Hook Snap 4"Lg - 7/16"-20	15,&20,000/144"
40	2	120-353	Torsion Spring	15,&20,000/144"
41	2	034-674	Fitting, 1/4" Male X 3/8" Comp	15,&20,000/144"
42	2	091-000-0063	Tubing Black Nylon (6-3/8"Lg) 3/8"	15,&20,000/144"
43	2	035-085	Fitting Tee	15,&20,000/144"
44	2	091-000-0340	Tubing, Black Nylon (34"Lg) 3/8"	15,&20,000/60X144"
44	2	091-000-0400	Tubing, Black Nylon (40"Lg) 3/8"	15,&20,000/72X144"
44	2	091-000-0460	Tubing, Black Nylon (46"Lg) 3/8"	15,&20,000/84X144"
44	2	091-000-0520	Tubing, Black Nylon (52"Lg) 3/8"	15,&20,000/96X144"
45	1	034-673	Fitting Nylon Tee (3/8" Comp)	15,&20,000/144"
46	4	025-087	Cable Ties	15,&20,000/144"
47	1	300-5006-6	Vent Line Kit (31'lg)	15,&20,000/60X144"
47	1	300-5006-7	Vent Line Kit (32'lg)	15,&20,000/72X144"
47	1	300-5006-8	Vent Line Kit (33'lg)	15,&20,000/84X144"
47	1	300-5006-9	Vent Line Kit (34'lg)	15,&20,000/96X144"



**9.4.1 Cylinder Assembly - 15 & 20,000 lb. Cap. - 108" Deck Length**

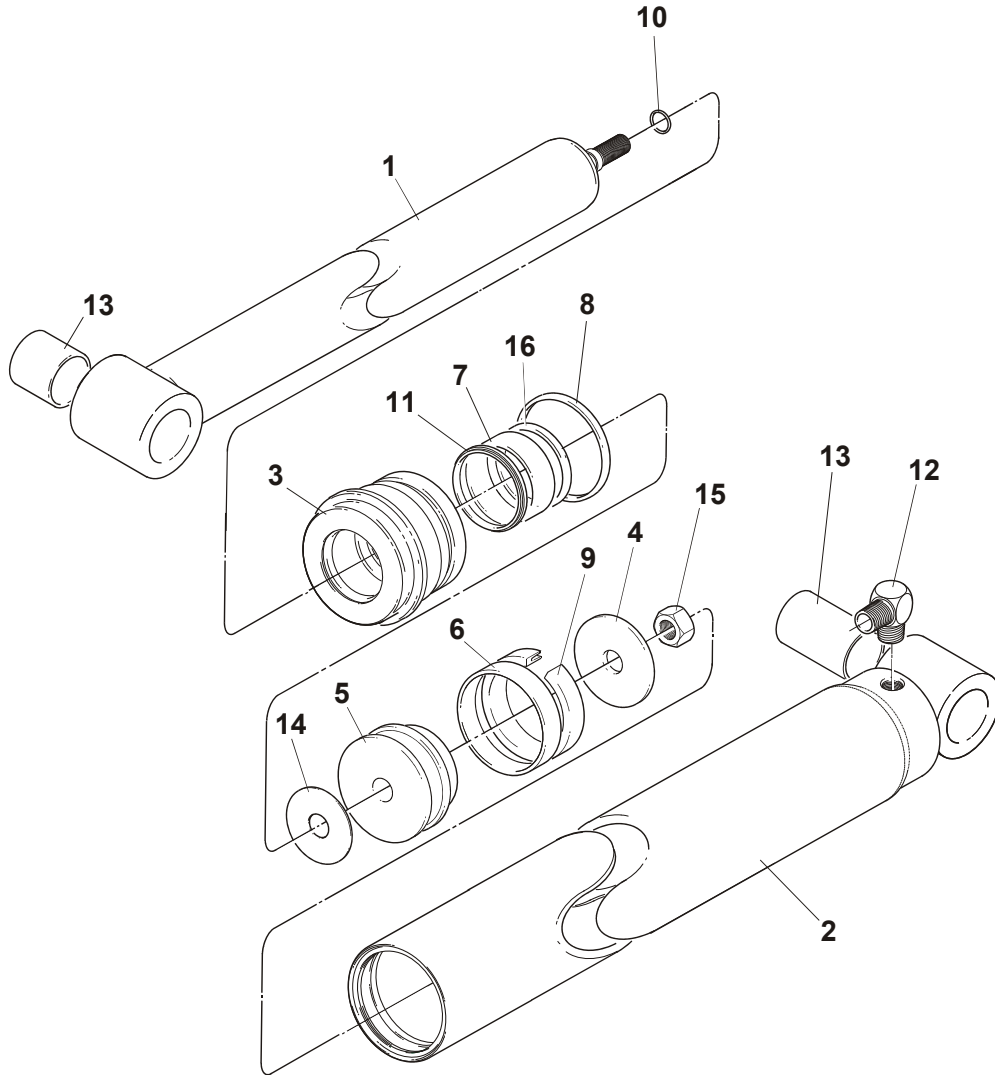


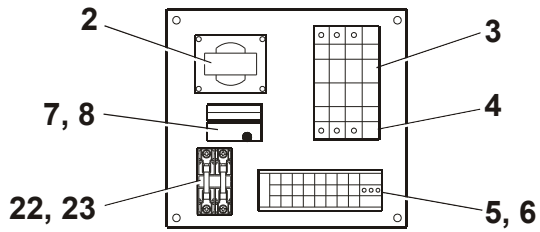
Figure 49 : Cylinder Assembly - 15, & 20,000 lb. - 108" Deck Length

Item	Qty	Part No	General Description	Specific Description
-	-	<b>780-142-270</b>	<b>Cylinder Ass'y (4"Dia) [27" Stroke]</b>	<b>15,&amp;20,000/144"</b>
1	1	786-855	Ram Assy 3", 3-1/2", & 4"	15,&20,000/144"
2	1	780-143	Housing Weldment (4"Dia)	15,&20,000/144"
3	1	117-989	Headnut 4" Dia. Cyl (2" Dia. Rod)	15,&20,000/144"
4	1	114-980	Piston Washer - (4" Dia)	15,&20,000/144"
5	1	114-638	Piston - 4"Dia Cyl	15,&20,000/144"
6●	1	036-156	Wear Ring Pist.Wd.3-1/2x1/2	15,&20,000/144"
7●	1	036-182	Wear Ring - 3" X .125" Thick	15,&20,000/144"
8●	1	036-130	O-Ring - 4"OD X 3-3/4"ID	15,&20,000/144"
9●	1	036-116	U-Cup - 4" X 3-3/8" X 1/2"	15,&20,000/144"
10●	1	036-108	O-Ring - 3/4"OD X 5/8"ID X 1/16"	15,&20,000/144"
11●	1	036-021	Wiping Ring - 2"ID	15,&20,000/144"
12	1	034-500	Fitting, 6-6	15,&20,000/144"
13	2	018-027	Bushing	15,&20,000/144"
14●	1	117-993	Gasket	15,&20,000/144"
15	1	011-530	Nut, Hex Jam - 3/4"-10	15,&20,000/144"
16●	1	036-176	O-Ring (2-1/4" OD X 2" ID)	15,&20,000/144"
-	-	<b>783-572</b>	<b>Kit, seal - Includes Items marked (●)</b>	<b>15,&amp;20,000/144"</b>

**10. Parts Listings - Power Packs**

**10.1 Power Packs - 3 Horse Power**

**CONTROL BOX ASS'Y**



208/230/460/575/3/60

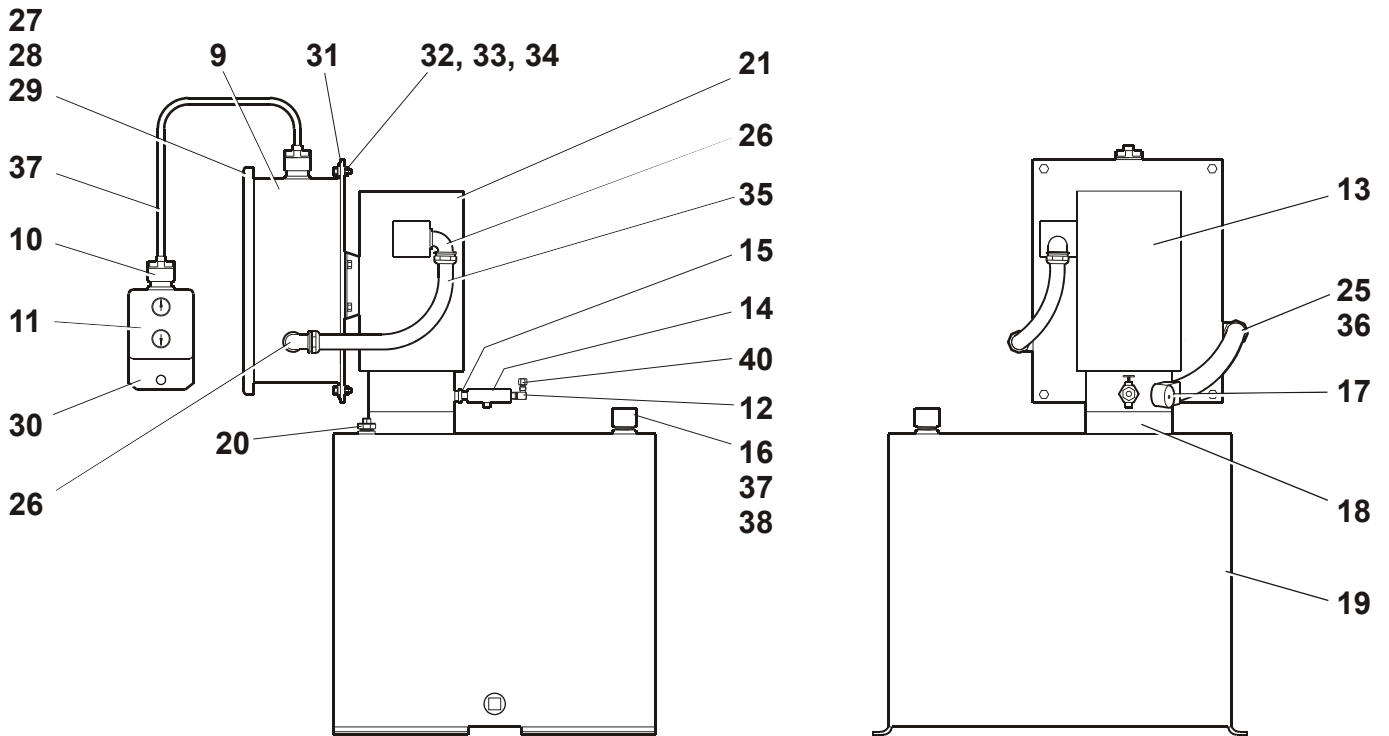


Figure 50 : Power Pack Assembly - 3 Horse Power

**Power Packs - 3 Horse Power**

Item	Qty	Part No	General Description	Specific Description
			<b>Power Packs - 3 Horse Power</b>	<b>5 &amp; 10 Gallon Reservoirs</b>
-	-	815-P31-230-R	Module, Remote Power Pack	3HP 230V/1Ø/60-5G
-	-	815-P33-208-R	Module, Remote Power Pack	3HP 208V/3Ø/60-5G
-	-	815-P33-230-R	Module, Remote Power Pack	3HP 230V/3Ø/60-5G
-	-	815-P33-460-R	Module, Remote Power Pack	3HP 460V/3Ø/60-5G
-	-	815-P33-575-R	Module, Remote Power Pack	3HP 575V/3Ø/60-5G
-	-	815-P33-208-R11	Module, Remote Power Pack	3HP 208V/3Ø/60-10G
-	-	815-P33-230-R11	Module, Remote Power Pack	3HP 230V/3Ø/60-10G
-	-	815-P33-460-R11	Module, Remote Power Pack	3HP 460V/3Ø/60-10G
-	-	815-P33-575-R11	Module, Remote Power Pack	3HP 575V/3Ø/60-10G
-	-	305-5002	Power Pack, Remote Ass'y (5GAL)	3HP-230V/1Ø/50/60Hz
-	-	305-5002-1	Power Pack, Remote Ass'y (5GAL)	3HP-208V/3Ø/50/60HZ
-	-	305-5002-2	Power Pack, Remote Ass'y (5GAL)	3HP-230V/3Ø/50/60Hz
-	-	305-5002-3	Power Pack, Remote Ass'y (5GAL)	3HP-460V/3Ø/50/60Hz
-	-	305-5002-4	Power Pack, Remote Ass'y (5GAL)	3HP-575V/3Ø/50/60Hz
-	-	305-5002-5	Power Pack, Remote Ass'y (10GAL)	3HP-208V/3Ø/50/60Hz
-	-	305-5002-6	Power Pack, Remote Ass'y (10GAL)	3HP-230V/3Ø/50/60Hz
-	-	305-5002-7	Power Pack, Remote Ass'y (10GAL)	3HP-460V/3Ø/50/60Hz
-	-	305-5002-8	Power Pack, Remote Ass'y (10GAL)	3HP-575V/3Ø/50/60Hz
1*	1	630-067	Kit, Pick - 3HP 230/1/60 Remote (5GAL)	3HP/230/1Ø/60
1*	1	630-004-1	Kit, Pick - 3HP 208/3/60 Remote (5GAL)	3HP/208/3Ø/60
1*	1	630-006-1	Kit, Pick - 3HP 230/3/60 Remote (5GAL)	3HP/230/3Ø/60
1*	1	630-007-1	Kit, Pick - 3HP 460/3/60 Remote (5GAL)	3HP/460/3Ø/60
1*	1	630-008-1	Kit, Pick- 3HP 575/3/60 Remote (5GAL)	3HP/575/3Ø/60
1*	1	630-004-2	Kit, Pick- 3HP 208/3/60 Rem. (10GAL)	3HP/208/3Ø/60
1*	1	630-006-2	Kit, Pick- 3HP 230/3/60 Rem. (10GAL)	3HP/230/3Ø/60
1*	1	630-007-2	Kit, Pick- 3HP 460/3/60 Rem. (10GAL)	3HP/460/3Ø/60
1*	1	630-008-2	Kit, Pick- 3HP 575/3/60 Rem. (10GAL)	3HP/575/3Ø/60
2	1	026-302	Transformer 240/480 PR.-120/240Sec.	3HP/230/1Ø/60
2	1	026-306	Transformer 208/416, 120 Sec.	3HP/208/3Ø/60
2	1	026-302	Transformer 240/480 PR.-120/240Sec.	3HP/230/3Ø/60
2	1	026-302	Transformer 240/480 PR.-120/240Sec.	3HP/460/3Ø/60
2	1	026-300	Transformer 600V-120V	3HP/575/3Ø/60
3	1	025-926	Contactora (Ci-25) - 110VAC 50/60Hz	3HP/1Ø/50/60 HZ
3	1	025-924	Contactora, Motor -12A CI-12	3HP/3Ø/50/60 HZ
4	1	026-105	Relay, Overload - 6-9.2A	3HP/208-230V/3Ø Only
4	1	026-103	Relay, Overload - 2.7-4.2A	3HP/460-575V/50/60HZ
5	10	030-842	Terminal Block	3HP/3Ø/50/60 HZ
6	1	030-843	Terminal Block End Section	3HP/3Ø/50/60 HZ
7	1	026-227	Fuseholder, Single 250 Volt	3HP/3Ø/50/60 HZ
8	1	026-147	Fuse, 0.5 Amp .25"x1.25"	3HP/3Ø/50/60 HZ
9	1	110-831	Control Box 10x8x5	3HP/3Ø/50/60 HZ
10	2	025-015	Connector-Cable	3HP/3Ø/50/60 HZ
11	1	025-692	Push Button Station - Nema 4X	3HP/3Ø/50/60 HZ
12	1	034-601	Fitting, 90° Forged - 2103-4-6	<6000lb. Cap
12	1	034-602	Fitting, 90° Forged - 2103-4-8	>6000lb. Cap

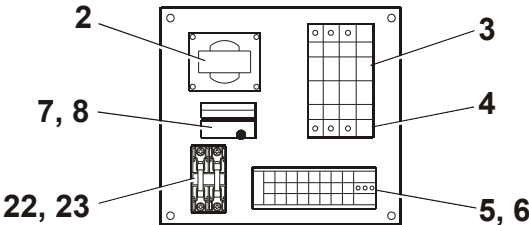
\* - INDENTED SUB-ASSEMBLY – SHOWN ON SAME PAGE

\*\* - SUBASSEMBLY SHOWN ON SEPARATE PAGE

*Continued...*

Power Packs - 3 Horse Power

CONTROL BOX ASS'Y



208/230/460/575/3/60

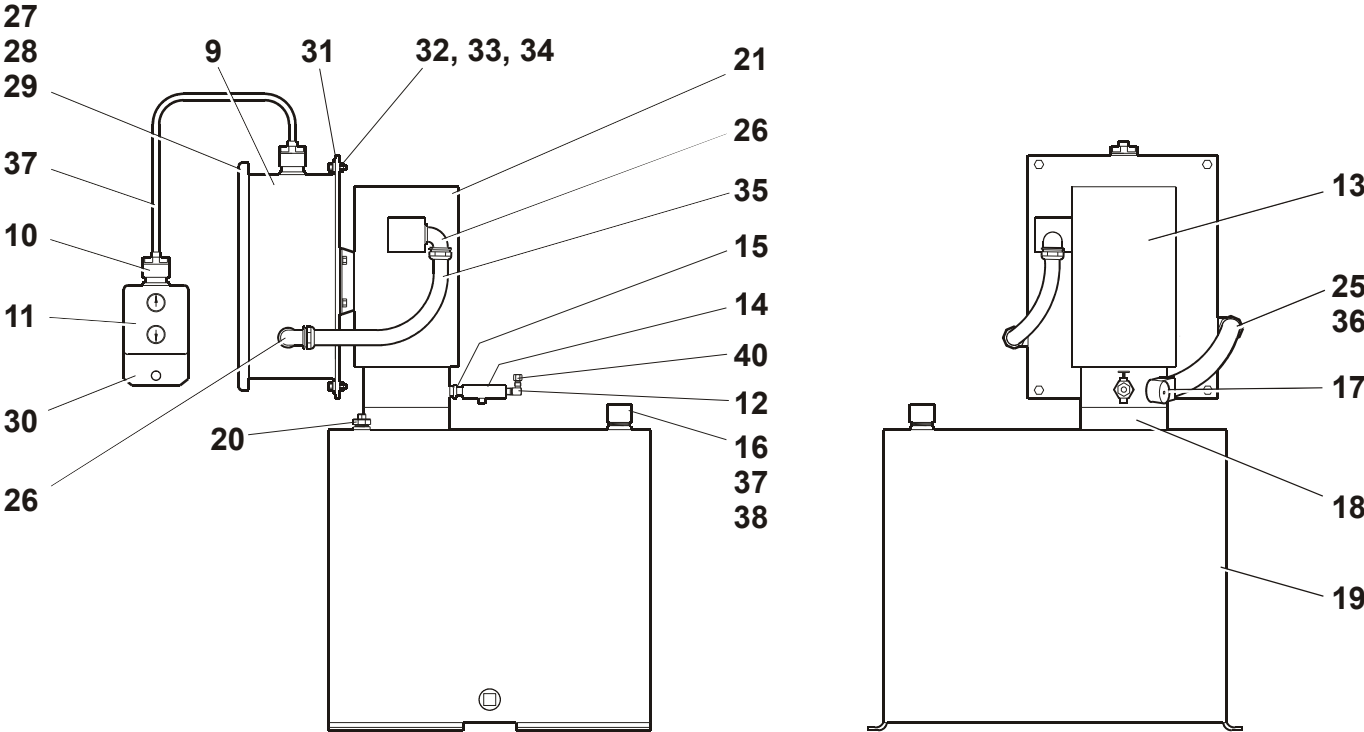


Figure 47 : Power Pack Assembly - 3 Horse Power

**Power Packs - 3 Horse Power**

Item	Qty	Part No	General Description	Specific Description
13*	1	033-185	Powerpack 3HP 240/1/60 5 Gall. Res.	3HP/230/1Ø/60
13*	1	033-780	Powerpack 3HP 208/230/460/3/60 - 5G	3HP/208,230,460V/3Ø/60
13*	1	033-788	Powerpack 3HP 575/3/60 - 5G	3HP/575V/3Ø/60
13*	1	033-780-1	Powerpack 3HP 208/230/460/3/60 -10G	3HP/208,230,460V/3Ø/60
13*	1	033-788-1	Powerpack 3HP 575/3/60 -10G	3HP/575V/3Ø/60
14	1	033-785	Valve, Flow Control 2.75 GPM	3HP/208,230,460V/3Ø/60
15	1	034-600	Adapter, 2083-6-4S	3HP/208,230,460V/3Ø/60
16	1	035-278	Breather Cap C/W Dipstick 3/4"	3HP/208,230,460V/3Ø/60
17	1	033-704	Valve 2-Way 2-Position	3HP/208,230,460V/3Ø/60
18	1	033-786	Pump	3HP/208,230,460V/3Ø/60
19	1	033-711	Reservoir - 5 Gallon	3HP/208,230,460V/3Ø/60
19	1	033-424	Reservoir - 10 Gallon	3HP/208,230,460V/3Ø/60
20	1	035-030	Plug, 1/4"NPT. Pipe	3HP/208,230,460V/3Ø/60
21	1	031-100	Motor 3HP, 208-460/3/50/60	3HP/208,230,460V/3Ø/60
21	1	031-101	Motor 3HP, 575/3/60	3HP/575V/3Ø/60
22	1	026-228	Fuseholder,600 V, 30 Amp	3HP/3Ø/50/60 HZ
23	2	026-158	Fuse, Fiber - 13/32"x1-1/2" 1/2 Amp	3HP/208-230V/1&3Ø/60
23	2	026-233	Fuse 2/10 - 600V	3HP/460-575V/3Ø/60HZ
24	1	030-069	Grounding Strip	3HP/3Ø/50/60 HZ
25	1	025-063	Connector	3HP/3Ø/50/60 HZ
26	3	025-010	Connector LT - 3/8-90°	3HP/3Ø/50/60 HZ
27	4	010-072	Capscrew, Hex Hd. - 1/4-20 X 1/2"	3HP/3Ø/50/60 HZ
28	4	012-210	Washer, Flat 1/4" Bolt S	3HP/3Ø/50/60 HZ
29	4	012-202	Washer, Lock - 1/4" Helical	3HP/3Ø/50/60 HZ
30	1	110-287	Bracket, 2 Push Buttons	3HP/3Ø/50/60 HZ
31	1	121-364	Plate, Control Box Mounting Plate	3HP/3Ø/50/60 HZ
32	4	010-036	Capscrew, Hex Hd. 5/16"-18 X 1/2"	3HP/3Ø/50/60 HZ
33	4	012-211	Washer, 5/16" Bolt Size Flat	3HP/3Ø/50/60 HZ
34	4	012-200	Washer, Lock Helical 5/16"	3HP/3Ø/50/60 HZ
35	1	780-214	Conduit Assembly	3HP/3Ø/50/60 HZ
36	1	780-213	Conduit Assembly	3HP/3Ø/50/60 HZ
37	1.0	090-581-1680	Wire Per Metre (168"Lg)	3HP/3Ø/50/60 HZ
38	2	011-005	Screw, Machine R/H Slot 8-32 X 1/2"	3HP/3Ø/50/60 HZ
39	2	012-224	Washer, Lock - #8 Int. Tooth	3HP/3Ø/50/60 HZ
40	1	034-594	Adapter, 2027-8-8S	3HP/3Ø/50/60 HZ

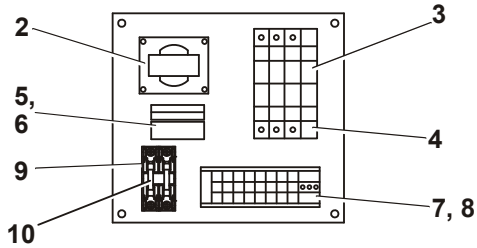
\* - INDENTED SUB-ASSEMBLY – SHOWN ON SAME PAGE

\*\* - SUBASSEMBLY SHOWN ON SEPARATE PAGE

Continued...

**10.2 Parts Listings - Power Packs - 5 Horse Power**

**CONTROL BOX ASSEMBLY**



**\*\*\*Please contact factory before ordering item 18 and 19.**

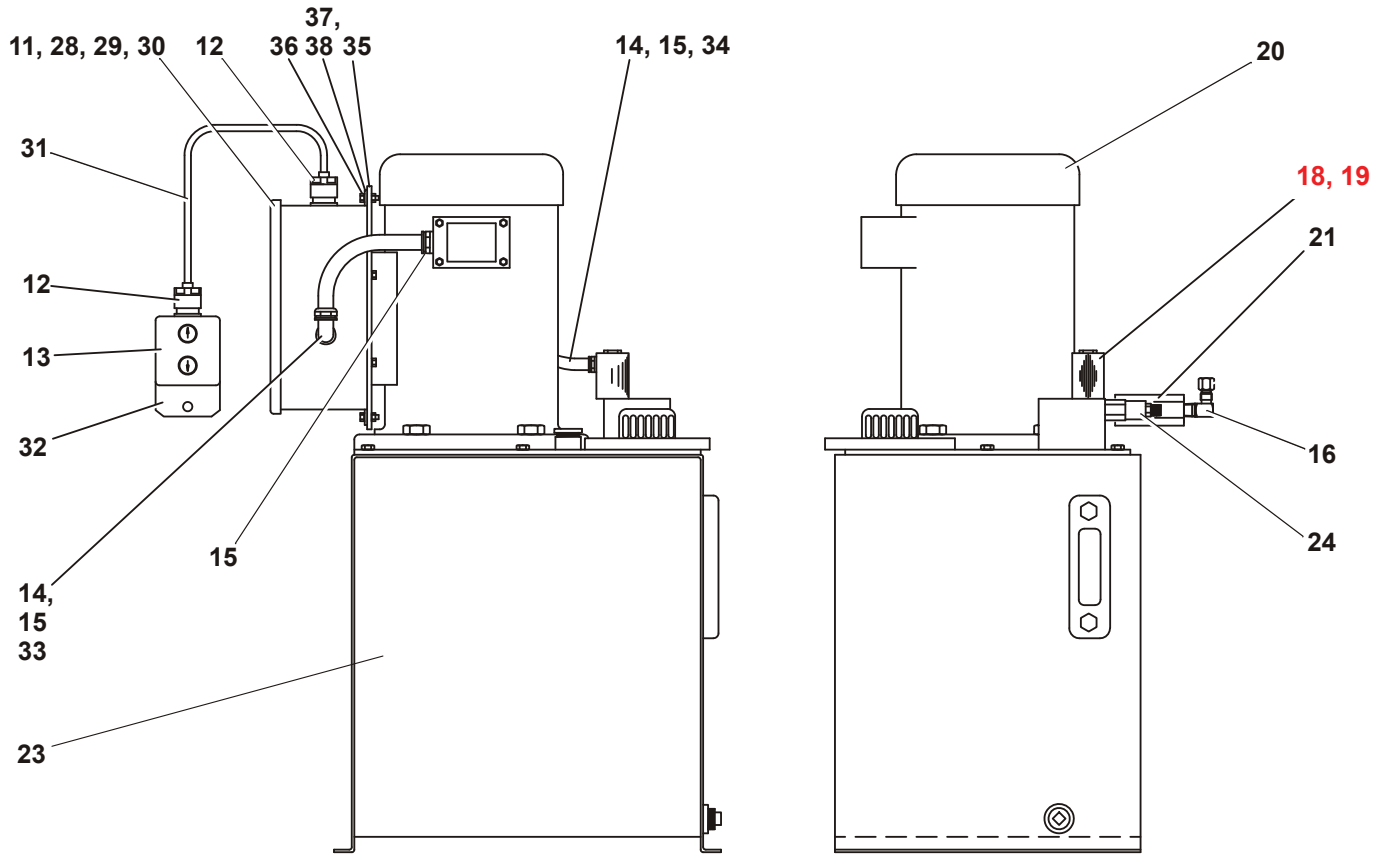


Figure 51 : Power Pack Assembly - 5 Horse Power

**Power Packs - 5 Horse Power**

Item	Qty	Part No	General Description	Specific Description
			<b>Power Packs - 5 Horse Power</b>	<b>10 Gallon Reservoir</b>
-	-	815-P51-230-R	Module, Remote Power Pack	5HP 230V/1Ø/60-5G
-	-	815-P53-208-R	Module, Remote Power Pack	5HP 208V/3Ø/60-5G
-	-	815-P53-230-R	Module, Remote Power Pack	5HP 230V/3Ø/60-5G
		815-P53-415-R	Module, Remote Power Pack	5HP 415V/3Ø/60-5G
-	-	815-P53-460-R	Module, Remote Power Pack	5HP 460V/3Ø/60-5G
-	-	815-P53-575-R	Module, Remote Power Pack	5HP 575V/3Ø/60-5G
-	-	305-5003	Power Pack, Remote Ass'y	5HP-230V/1Ø/50/60Hz
-	-	305-5003-1	Power Pack, Remote Ass'y	5HP-208V/3Ø/50/60HZ
-	-	305-5003-2	Power Pack, Remote Ass'y	5HP-230V/3Ø/50/60Hz
-	-	305-5003-3	Power Pack, Remote Ass'y	5HP-415V/3Ø/50/60Hz
-	-	305-5003-4	Power Pack, Remote Ass'y	5HP-460V/3Ø/50/60Hz
-	-	305-5003-5	Power Pack, Remote Ass'y	5HP-575V/3Ø/50/60Hz
1*	1	630-003-1	Kit, Pick - 5HP 230/1/60 Rem.	5HP/230/1Ø/60
1*	1	630-024-1	Kit, Pick - 5HP 208/3/60 Rem.	5HP/208/3Ø/60
1*	1	630-026-1	Kit, Pick - 5HP 230/3/60 Rem.	5HP/230/3Ø/60
1*	1	630-040-1	Kit, Pick - 5HP 415/3/60 Rem.	5HP/415/3Ø/60
1*	1	630-028-1	Kit, Pick - 5HP 460/3/60 Rem.	5HP/460/3Ø/60
1*	1	630-030-1	Kit, Pick - 5HP 575/3/60 Rem.	5HP/575/3Ø/60
2	1	026-302	Transformer 240/480 PR.-120/240Sec.	5HP/230/1Ø/60
2	1	026-306	Transformer 208/416, 120 Sec.	5HP/208/3Ø/60
2	1	026-302	Transformer 240/480 PR.-120/240Sec.	5HP/230/3Ø/60
2	1	026-306	Transformer 208/416, 120 Sec.	5HP/415/3Ø/60
2	1	026-302	Transformer 240/480 PR.-120/240Sec.	5HP/460/3Ø/60
2	1	026-300	Transformer 600V-120V	5HP/575/3Ø/60
3	1	025-928	Contactora 32A	5HP/1Ø/50/60 HZ
3	1	025-926	Contactora (CI-25)	5HP/208-230V/3Ø/60
3	1	025-924	Contactora, Motor -12A CI-12	5HP/415-575/3Ø/50/60
4	1	026-118	Relay, Overload - 11-16A	5HP/208-230V/3Ø Only
4	1	026-105	Relay, Overload - 6-9.2A	5HP/415-575V/50/60 HZ
4	1	026-104	Relay, Overload - 4-6.2A	5HP/415-575V/50/60 HZ
5	1	026-147	Fuse, 0.5 Amp .25"x1.25"	5HP/3Ø/50/60 HZ
6	1	026-227	Fuseholder, Single 250 Volt	5HP/3Ø/50/60 HZ
7	10	030-842	Terminal Block	5HP/3Ø/50/60 HZ
8	1	030-843	Terminal Block End Section	5HP/3Ø/50/60 HZ
9	1	026-228	Fuseholder, 600 V, 30 Amp	5HP/3Ø/50/60 HZ
10	1	026-158	Fuse, Fiber - 13/32"x1-1/2" 1/2 Amp	5HP/208-230V/1&3Ø/60
10	1	026-238	Fuse, Primary 3/10	5HP/415V/3Ø/60 Hz
10	1	026-233	Fuse, Primary 2/10	5HP/460,575V/3Ø/60 Hz
11	1	025-068	Enclosure	5HP/230/1Ø/60
11	1	110-831	Control Box 10x8x5	5HP/3Ø/50/60 HZ
12	2	025-015	Connector-Cable	5HP/3Ø/50/60 HZ
13	1	025-692	Push Button Station - Nema 4X	5HP/3Ø/50/60 HZ
14	3	025-010	Connector LT - 3/8-90°	5HP/3Ø/50/60 HZ
14	3	025-011	Connector LT - 1/2"-90°	5HP 208V/3Ø/60-5G
15	3	025-009	Connector ST - 3/8"	5HP/3Ø/50/60 HZ
15	3	025-012	Connector LT - 1/2"-Str.	5HP 208V/3Ø/60-5G

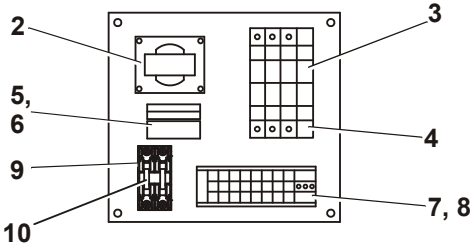
\* - INDENTED SUB-ASSEMBLY – SHOWN ON SAME PAGE

\*\* - SUBASSEMBLY SHOWN ON SEPARATE PAGE

Continued...

Parts Listings - Power Packs - 5 Horse Power

CONTROL BOX ASSEMBLY



\*\*\*Please contact factory before ordering item 18 and 19.

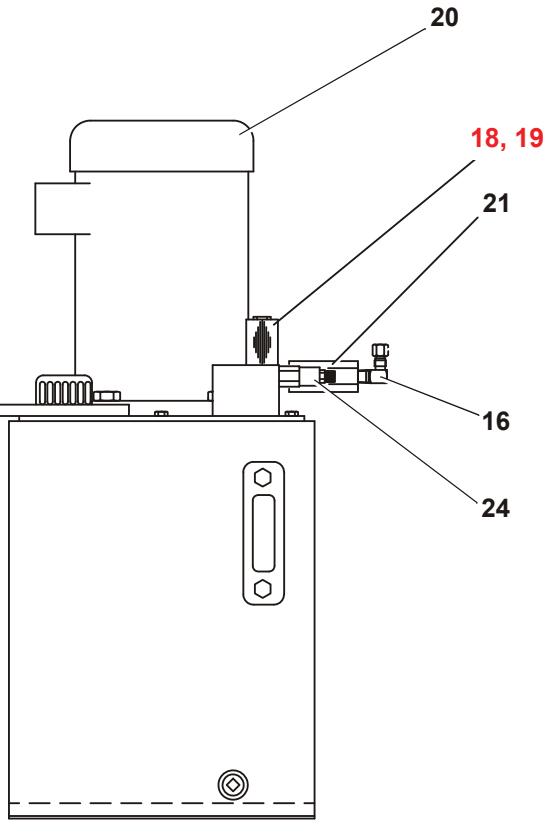
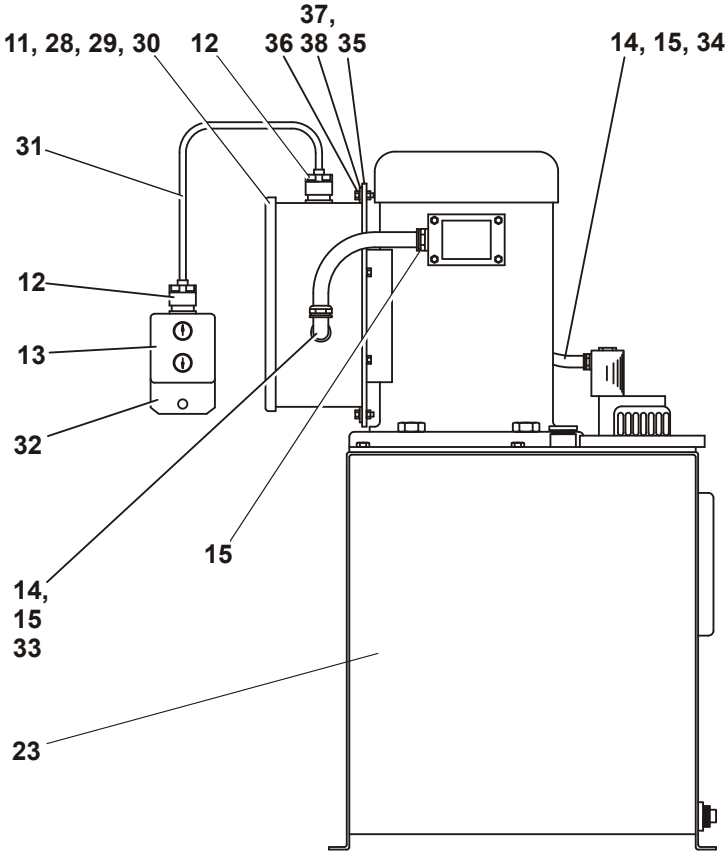


Figure 48 : Power Pack Assembly - 5 Horse Power



**Parts Listings - Power Packs - 5 Horse Power**

Item	Qty	Part No	General Description	Specific Description
16	1	034-500	Fitting, 90° Forged - 2103-4-6	<6000lb. Cap
16	1	034-540	Fitting, 90° Forged - 2103-4-8	>6000lb. Cap
<b>17*</b>	<b>1</b>	<b>033-796</b>	<b>Powerpack 5HP 220/1/60</b>	<b>5HP/230/1Ø/60</b>
<b>17*</b>	<b>1</b>	<b>033-794</b>	<b>Powerpack, 5HP, 208-460/3/60</b>	<b>5HP/208-460V/3Ø/60 Hz</b>
<b>17*</b>	<b>1</b>	<b>033-795</b>	<b>Powerpack, 5HP, 575/3/60</b>	<b>5HP/575V/3Ø/60 Hz</b>
<b>18</b>	<b>1</b>	<b>033-798</b>	<b>Coil, Solenoid Valve</b>	<b>5HP/3Ø/50/60 HZ</b>
<b>19</b>	<b>1</b>	<b>033-800</b>	<b>Cartridge, Solenoid Valve</b>	<b>5HP/3Ø/50/60 HZ</b>
<b>NOTE: Please contact factory before ordering items 18 &amp; 19.</b>				
20	1	031-114	Motor, 5HP 230/1/60	5HP 230/1Ø/60
20	1	031-112	Motor, 5HP 230-460/3/60	5HP 230-460/3Ø/60
20	1	031-113	Motor, 5HP 575/3/60	5HP 575/3Ø/60
21	1	033-839	Control, Press. Comp. Flow	5HP/3Ø/50/60 HZ
22	1	033-178	Pump (Not Shown)	5HP/3Ø/50/60 HZ
23	1	035-424	Reservoir, 10 Gallon	5HP/3Ø/50/60 HZ
24	1	033-808	Valve, Relief	5HP/3Ø/50/60 HZ
25	1	030-069	Grounding Strip	5HP/3Ø/50/60 HZ
26	1	025-933	Connector LT - 3/4" 90°	5HP/3Ø/50/60 HZ
27	1	550-129	Gasket, Oil	5HP/3Ø/50/60 HZ
28	4	010-072	Capscrew, Hex Hd. - 1/4-20 X 1/2"	5HP/3Ø/50/60 HZ
29	4	012-210	Washer, Flat 1/4" Bolt S	5HP/3Ø/50/60 HZ
30	4	012-202	Washer, Lock - 1/4" Helical	5HP/3Ø/50/60 HZ
31	4.3	090-581	Wire Per Metre	5HP/3Ø/50/60 HZ
32	1	110-287	Bracket, 2 Push Buttons	5HP/3Ø/50/60 HZ
33	1	090-053-0080	Conduit Assembly	5HP/3Ø/50/60 HZ
34	1	090-053-0110	Conduit Assembly	5HP/3Ø/50/60 HZ
35	1	305-0002	Plate, Control Box Mounting Plate	5HP/1Ø/50/60 HZ
35	1	305-0001	Plate, Control Box Mounting Plate	5HP/3Ø/50/60 HZ
36	4	010-036	Capscrew, Hex Hd. 5/16"-18 X 1/2"	5HP/3Ø/50/60 HZ
37	4	012-211	Washer, 5/16" Bolt Size Flat	5HP/3Ø/50/60 HZ
38	4	012-200	Washer, Lock Helical 5/16"	5HP/3Ø/50/60 HZ
39	AR	090-054-0070	Conduit 1/2 Lt Sealrite	5HP/3Ø/50/60 HZ
40	2	025-136	Washer, Reducing 3/4"-1/2"	5HP/3Ø/50/60 HZ

\* - INDENTED SUB-ASSEMBLY – SHOWN ON SAME PAGE

\*\* - SUBASSEMBLY SHOWN ON SEPARATE PAGE

Continued...

10.3 Parts Listings - Power Packs - 7.5 Horse Power

CONTROL BOX ASSEMBLY

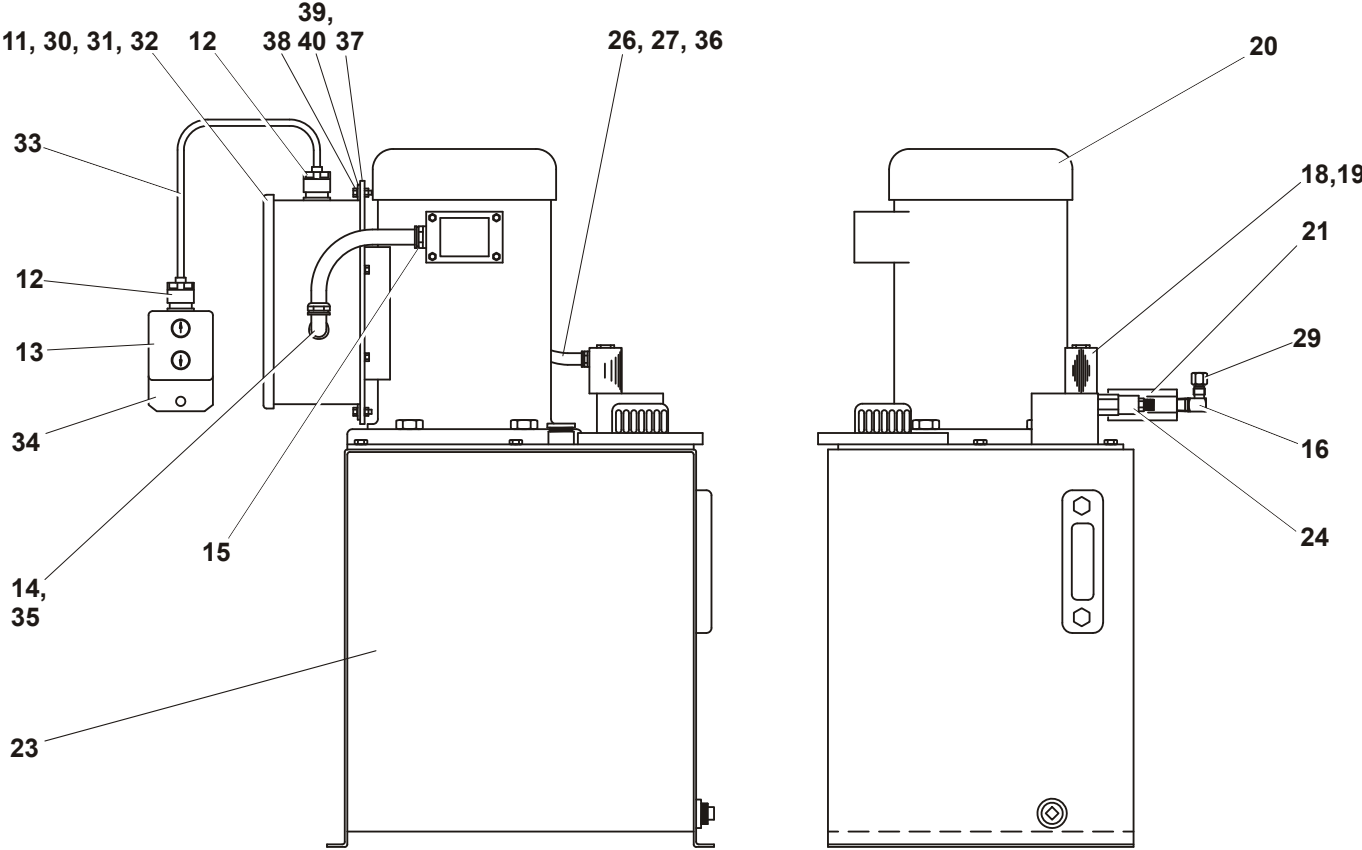
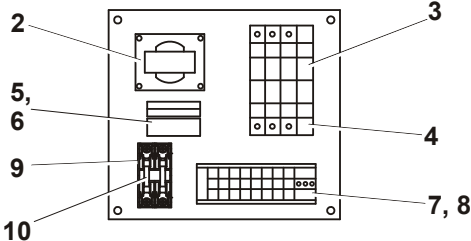


Figure 52 : Power Pack Assembly - 7.5 Horse Power

**Parts Listings - Power Packs - 7.5 Horse Power**

Item	Qty	Part No	General Description	Specific Description
			<b>Power Packs - 7.5 Horse Power</b>	<b>10 Gallon Reservoir</b>
-	-	815-P73-208-R	Module, Remote Power Pack	7.5HP 208V/3Ø/60-5G
-	-	815-P73-230-R	Module, Remote Power Pack	7.5HP 230V/3Ø/60-5G
-	-	815-P73-415-R	Module, Remote Power Pack	7.5HP 415V/3Ø/60-5G
-	-	815-P73-460-R	Module, Remote Power Pack	7.5HP 460V/3Ø/60-5G
-	-	815-P73-575-R	Module, Remote Power Pack	7.5HP 575V/3Ø/60-5G
-	-	305-5004	Power Pack, Remote Ass'y	7.5HP-208V/3Ø/50/60HZ
-	-	305-5004-1	Power Pack, Remote Ass'y	7.5HP-230V/3Ø/50/60Hz
-	-	305-5004-2	Power Pack, Remote Ass'y	7.5HP-415V/3Ø/50/60Hz
-	-	305-5004-3	Power Pack, Remote Ass'y	7.5HP-460V/3Ø/50/60Hz
-	-	305-5004-4	Power Pack, Remote Ass'y	7.5HP-575V/3Ø/50/60Hz
1*	1	630-031-1	Kit, Pick - 7.5HP 208/3/60 Rem.	7.5HP/208/3Ø/60
1*	1	630-032-1	Kit, Pick - 7.5HP 230/3/60 Rem.	7.5HP/230/3Ø/60
1*	1	630-066	Kit, Pick - 7.5HP 415/3/60 Rem.	7.5HP/415/3Ø/60
1*	1	630-033-1	Kit, Pick - 7.5HP 460/3/60 Rem.	7.5HP/460/3Ø/60
1*	1	630-041-1	Kit, Pick- 7.5HP 575/3/60 Rem.	7.5HP/575/3Ø/60
2	1	026-306	Transformer 208/416, 120 Sec.	7.5HP/208/3Ø/60
2	1	026-302	Transformer 240/480PR-120/240Sc.	7.5HP/230/3Ø/60
2	1	026-306	Transformer 208/416, 120 Sec.	7.5HP/415/3Ø/60
2	1	026-302	Transformer 240/480PR-120/240Sc.	7.5HP/460/3Ø/60
2	1	026-300	Transformer 600V-120V	7.5HP/575/3Ø/60
3	1	025-926	Contactora (CI-25)	7.5HP/3Ø/50/60
4	1	026-168	Relay, Overload - 19-25A	7.5HP/208-230V/3Ø Only
4	1	026-117	Relay, Overload - 8-12A	7.5HP/415-575V/50/60 HZ
4	1	026-105	Relay, Overload - 6-9.2A	7.5HP/415-575V/50/60 HZ
5	1	026-147	Fuse, 0.5 Amp .25"x1.25"	7.5HP/3Ø/50/60 HZ
6	1	026-227	Fuseholder, Single 250 Volt	7.5HP/3Ø/50/60 HZ
7	10	030-842	Terminal Block	7.5HP/3Ø/50/60 HZ
8	1	030-843	Terminal Block End Section	7.5HP/3Ø/50/60 HZ
9	1	026-228	Fuseholder,600 V, 30 Amp	7.5HP/3Ø/50/60 HZ
10	1	026-158	Fuse, Fiber - 13/32"x1-1/2" 1/2 Amp	7.5HP/208-230V/3Ø/60 Hz
10	1	026-230	Fuse, Primary 3/10	7.5HP/415V/3Ø/60 Hz
10	1	026-233	Fuse, Primary 2/10	7.5HP/460,575V/3Ø/60 Hz
11	1	110-831	Control Box 10x8x5	7.5HP/3Ø/50/60 HZ
12	2	025-015	Connector-Cable	7.5HP/3Ø/50/60 HZ
13	1	025-692	Push Button Station - Nema 4X	7.5HP/3Ø/50/60 HZ
14	1	025-012	Connector LT - 1/2"-Str.	7.5HP/208V/3Ø/60-5G
15	1	025-011	Connector LT - 1/2"-90°	7.5HP/208V/3Ø/60-5G
16	1	034-540	Fitting, 90° Forged - 2103-4-8	7.5HP/3Ø/50/60 HZ

\* - INDENTED SUB-ASSEMBLY – SHOWN ON SAME PAGE

\*\* - SUBASSEMBLY SHOWN ON SEPARATE PAGE

*Continued...*

Power Packs - 7.5 Horse Power

CONTROL BOX ASSEMBLY

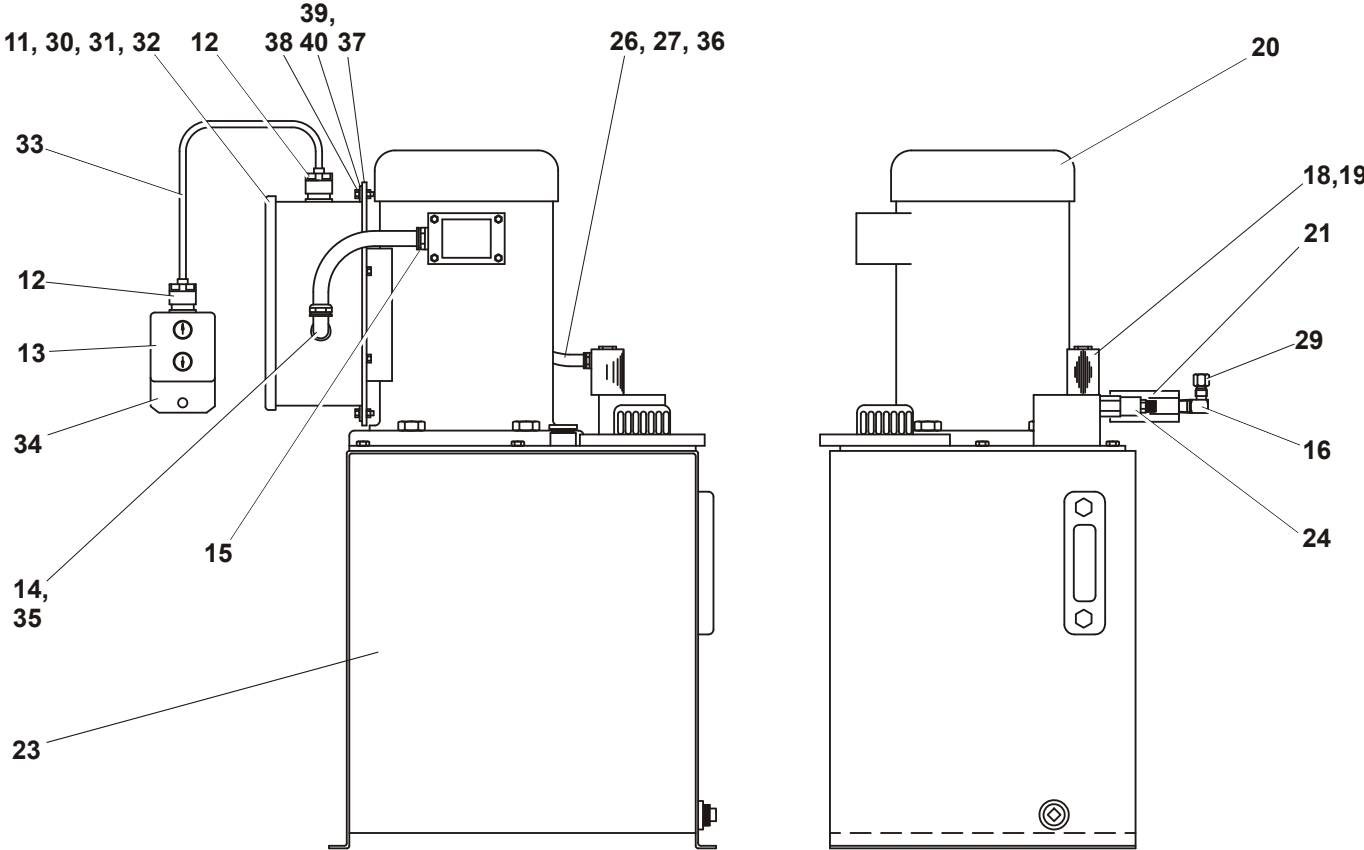
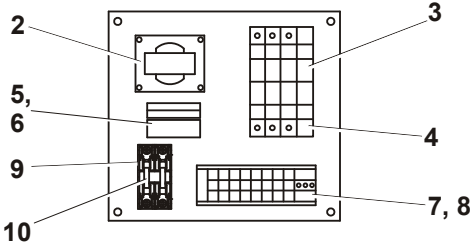


Figure 49 : Power Pack Assembly - 7.5 Horse Power

**Power Packs - 7.5 Horse Power**

Item	Qty	Part No	General Description	Specific Description
17**	1	033-803	Powerpack 7.5HP 208-460/3/60	7.5HP/208-430/3Ø/60
17**	1	033-835	Powerpack, 7.5HP, 575/3/60	7.5HP/575V/3Ø/60 Hz
18	1	033-798	Coil, Solenoid Valve	7.5HP/3Ø/50/60 HZ
19	1	033-800	Cartridge, Solenoid Valve	7.5HP/3Ø/50/60 HZ
20	1	031-552	Motor, 7.5HP 230-460/3/60	7.5HP 230/1Ø/60
20	1	031-553	Motor, 7.5HP 575/3/60	7.5HP 575/3Ø/60
21	1	033-839	Control, Press. Comp. Flow	7.5HP/3Ø/50/60 HZ
22	1	033-881	Pump (Not Shown)	7.5HP/3Ø/50/60 HZ
23	1	033-882	Reservoir, 10 Gallon	7.5HP/3Ø/50/60 HZ
24	1	033-808	Valve, Relief	7.5HP/3Ø/50/60 HZ
25	1	030-069	Grounding Strip	7.5HP/3Ø/50/60 HZ
26	1	025-009	Connector ST - 3/8"	7.5HP/3Ø/50/60 HZ
27	1	025-063	Connector LT	7.5HP/3Ø/50/60 HZ
28	1	550-129	Gasket, Oil	7.5HP/3Ø/50/60 HZ
29	1	034-602	Fitting, 2103-4-8	7.5HP/3Ø/50/60 HZ
30	4	010-072	Capscrew, Hex Hd. - 1/4-20 X 1/2"	7.5HP/3Ø/50/60 HZ
31	4	012-210	Washer, Flat 1/4" Bolt S	7.5HP/3Ø/50/60 HZ
32	4	012-202	Washer, Lock - 1/4" Helical	7.5HP/3Ø/50/60 HZ
33	4.3	090-581	Wire Per Metre	7.5HP/3Ø/50/60 HZ
34	1	110-287	Bracket, 2 Push Buttons	7.5HP/3Ø/50/60 HZ
35	1	090-053-0080	Conduit Assembly	7.5HP/3Ø/50/60 HZ
36	1	090-053-0110	Conduit Assembly	7.5HP/3Ø/50/60 HZ
37	1	305-0004	Plate, Control Box Mounting Plate	7.5HP/3Ø/50/60 HZ
38	4	010-036	Capscrew, Hex Hd. 5/16"-18 X 1/2"	7.5HP/3Ø/50/60 HZ
39	4	012-211	Washer, 5/16" Bolt Size Flat	7.5HP/3Ø/50/60 HZ
40	4	012-200	Washer, Lock Helical 5/16"	7.5HP/3Ø/50/60 HZ
41	2	025-136	Washer, Reducing 3/4"-1/2"	7.5HP/3Ø/50/60 HZ

\* - INDENTED SUB-ASSEMBLY – SHOWN ON SAME PAGE

\*\* - SUBASSEMBLY SHOWN ON SEPARATE PAGE

*Continued...*

10.4 Parts Listings - Power Packs - 10 Horse Power

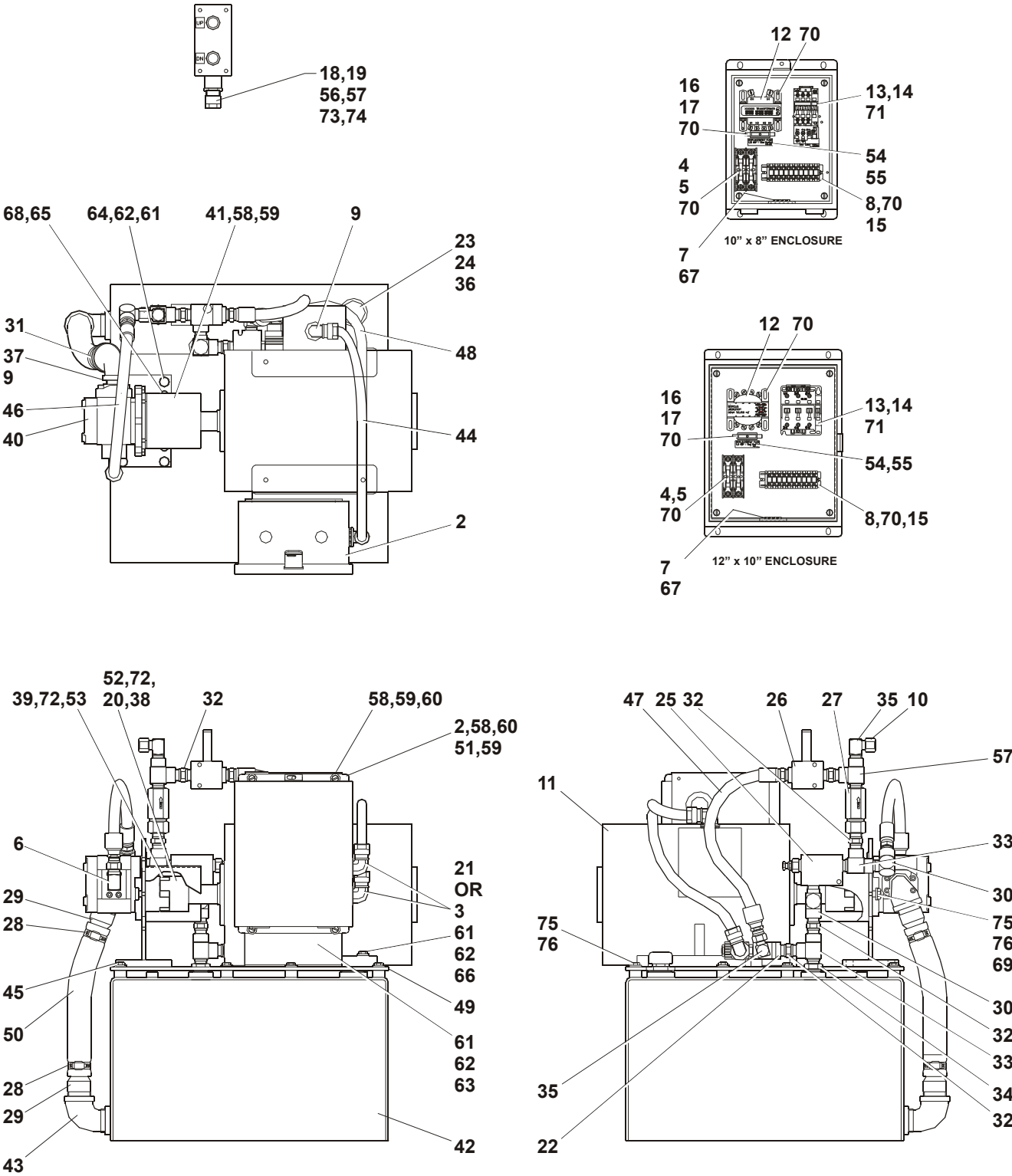


Figure 53 : Power Pack - 10 Horse Power

**Power Pack - 10 Horse Power**

Item	Qty	Part No	General Description	Specific Description
			<b>Power Packs - 10 Horse Power</b>	<b>10 Gallon Reservoir</b>
-	-	815-P93-208-R	Module, Remote Power Pack	10HP 208V/3Ø/60-5G
-	-	815-P93-230-R	Module, Remote Power Pack	10HP 230V/3Ø/60-5G
		815-P93-415-R	Module, Remote Power Pack	10HP 415V/3Ø/60-5G
-	-	815-P93-460-R	Module, Remote Power Pack	10HP 460V/3Ø/60-5G
-	-	815-P93-575-R	Module, Remote Power Pack	10HP 575V/3Ø/60-5G
-	-	305-5005	Power Pack, Remote Ass'y	10HP-208V/3Ø/50/60HZ
-	-	305-5005-1	Power Pack, Remote Ass'y	10HP-230V/3Ø/50/60Hz
-	-	305-5005-2	Power Pack, Remote Ass'y	10HP-415V/3Ø/50/60Hz
-	-	305-5005-2	Power Pack, Remote Ass'y	10HP-460V/3Ø/50/60Hz
-	-	305-5005-3	Power Pack, Remote Ass'y	10HP-575V/3Ø/50/60Hz
1*	1	630-042-1	Kit, Pick - 10HP 208/3/60 Rem.	10HP/208/3Ø/60
1*	1	630-043-1	Kit, Pick - 10HP 230/3/60 Rem.	10HP/230/3Ø/60
1*	1	630-090	Kit, Pick - 10HP 415/3/60 Rem.	10HP/415/3Ø/60
1*	1	630-035-1	Kit, Pick - 10HP 460/3/60 Rem.	10HP/460/3Ø/60
1*	1	630-036-1	Kit, Pick - 10HP 575/3/60 Rem.	10HP/575/3Ø/60
2	1	025-068	Enclosure, Control Box	10HP/208,230/3Ø/60
2	1	110-831	Enclosure, Control Box	10HP/415-575/3Ø/60
3	1	025-012	Connector, 1/2"-90°LT Conduit	10HP/230/3Ø/60
4	1	026-228	Fuseholder,600 V, 30 Amp	10HP/415/3Ø/60
5	1	026-158	Fuse, Fiber - 13/32"X1-1/2"-1/2A	10HP/208-230/3Ø/60
5	1	026-233	Fuse 2/10 600V	10HP/415-575/3Ø/60
6	1	034-618	Fitting, 2103-12-8	10HP/575/3Ø/60
7	1	030-069	Grounding Strip	10HP/3Ø/50/60
8	1	030-842	Terminal Block	10HP/208-230V/3Ø Only
9	1	035-090	Reducer. Hex 1" Mx3/4" F	10HP/415-575V/50/60 HZ
10	1	035-251	Cap	10HP/415-575V/50/60 HZ
11	1	031-032	Motor AC 208-460/3Ø 60Hz 10HP	10HP/3Ø/50/60 HZ
11	1	031-028	Motor, 10HP 575/3Ø/60	10HP/575V/3Ø/60 HZ
12	1	026-306	Transformer, PRI 208/416,120S50VA	10HP/208V/3Ø/50/60 HZ
12	1	026-302	Transformer, PRI 240/480,	10HP/230V/3Ø/50/60 HZ
12	1	026-306	Transformer, PRI 208/416,120S50VA	10HP/415V/3Ø/50/60 HZ
12	1	026-302	Transformer, PRI 240/480	10HP/460V/3Ø/50/60 HZ
12	1	026-300	Transformer, 50VA 600V -120V60Hz	10HP/575V/3Ø/60 HZ
13	1	025-928	Contactoer 32 Amp	10HP/208-230V/3Ø/60 HZ
13	1	025-926	Contactoer (CI-25)	10HP/415V/3Ø/50/60 HZ
13	1	025-928	Contactoer 32 Amp	10HP/460V/3Ø/60 HZ
13	1	025-924	Contactoer, Motor - 12A (CI12)	10HP/575V/3Ø/60 HZ
14	1	026-169	Relay,Overload 22-32 Amps	10HP/208-230/3Ø/50/60 HZ
14	1	026-118	Relay,Overload 11-16 Amps	10HP/415/3Ø/50/60 HZ
14	1	026-169	Relay,Overload 22-32 Amps	10HP/460/3Ø/50/60 HZ
14	1	026-117	Relay,Overload 8-12 Amps	10HP/575V/3Ø/60 HZ
15	1	030-843	Terminal Block End Section	10HP/3Ø/50/60 HZ

\* - INDENTED SUB-ASSEMBLY – SHOWN ON SAME PAGE

\*\* - SUBASSEMBLY SHOWN ON SEPARATE PAGE

*Continued...*

## Parts Listings - Power Packs - 10 Horse Power

Item	Qty	Part No	General Description	Specific Description
16	1	026-227	Fuseholder, Single 250 Volt	10HP/208-230V/3Ø/60 Hz
17	2	026-147	Fuse, Primary-.5 Amp .25"X1.25"	10HP/415V/3Ø/60 Hz
18	2	025-015	Connector-Cable Fitting	10HP/460,575V/3Ø/60 Hz
19	6	025-692	Push Button Station-Nema 4X	10HP/3Ø/50/60 HZ
20	6	023-311	Coupling, Rubber Insert	10HP/3Ø/50/60 HZ
21	4	025-010	Connector Lt, 3/8-90°	10HP/3Ø/50/60 HZ
22	11	033-597	Valve, Solenoid	10HP/208V/3Ø/60-5G
23	11	035-238	Breather Cap (3/4")	10HP/208V/3Ø/60-5G
24	3	035-062	Plug Cored Black 3/4" Pipe	10HP/3Ø/50/60 HZ
25	4	033-587	Valve, Relief	10HP/208-430/3Ø/60
26	4	033-501	Valve, Load Lowering Control	10HP/575V/3Ø/60 Hz
27	4	033-523	Valve, Check	10HP/3Ø/50/60 HZ
28	2	035-207	Clamp, Hose, 1-1/8"-2-1/16"	10HP/3Ø/50/60 HZ
29	4	034-036	Fitting	10HP/3Ø/50/60 HZ
30	4	034-570	Fitting, 2102-8-8	10HP/3Ø/50/60 HZ
31	7	035-054	Fitting, 90° F Elbow 1-1/4"-3/4"	10HP/3Ø/50/60 HZ
32	2	034-561	Fitting, 0101-8-8	10HP/3Ø/50/60 HZ
33	2	034-575	Adapter	10HP/3Ø/50/60 HZ
34	1	034-558	Reducer, 0102-12-8	10HP/3Ø/50/60 HZ
35	1	034-541	Adapter Fitting, 2103-8-8	10HP/3Ø/50/60 HZ
36	9	035-063	Reducer 1-1/4" M-3/4"F Pipe	10HP/3Ø/50/60 HZ
37	9	035-055	Nipple 3/4" Closed	10HP/3Ø/50/60 HZ
38	1	023-309	Coupling HB, 1-3/8" Bore	10HP/3Ø/50/60 HZ
39	1	111-895	Pump Shaft Coupling (023-325)	10HP/3Ø/50/60 HZ
40	1	033-085	Pump , 1"Suction, 3/4"Pressure	10HP/3Ø/50/60 HZ
41	1	796-967	Coupling Shield Assembly	10HP/3Ø/50/60 HZ
42	1	792-473	Reservoir Ass'y (20x20x11-3/4)	10HP/3Ø/50/60 HZ
43	1	797-208	Filter, Suction Ass'y	10HP/3Ø/50/60 HZ
44	1	090-054-0170	Conduit (17"LG) 1/2"LT Sealtite Flex	10HP/3Ø/50/60 HZ
45	1	797-238	Pump Mounting Ass'y 7.5/10 HP	10HP/3Ø/50/60 HZ
46	1	792-654	Hose Ass'y #8 HP-Strght 14"Lg	10HP/3Ø/50/60 HZ
47	1	792-655	Hose Ass'y #8 HP-Strght 16"Lg	10HP/3Ø/50/60 HZ
48	1	090-053-0244	Conduit (24-1/2"LG) - 3/8" Polytuff Gray	10HP/3Ø/50/60 HZ
49	1	106-808	Mounting Plate (20"X15")	10HP/3Ø/50/60 HZ
50	1	104-589	Hose 11.5"LG.	10HP/3Ø/50/60 HZ
51	1	104-997	Mounting Bracket	10HP/208,230V/3Ø/60-5G
51	1	104-597	Mounting Bracket	10HP/415-575V/3Ø/60Hz
52	1	021-024	Key Input Shaft Ext. - 1/4"X 3/4"	10HP/3Ø/50/60 HZ
53	1	104-355	Key Motor Shaft - 3/16"X 1"	10HP/3Ø/50/60 HZ
54	1	110-282	Self-Adhesive Sticker	10HP/3Ø/50/60 HZ
55	1	110-903	Fuse Sticker	10HP/3Ø/50/60 HZ
56	2	011-005	Screw, Mach. R/H Slot 8-32" X 1/2"	10HP/3Ø/50/60 HZ
57	2	012-224	Washer, Lock - #8 Int. Tooth	10HP/3Ø/50/60 HZ
58	6	012-202	Washer, Lock - 1/4" Helical	10HP/3Ø/50/60 HZ
59	6	010-072	Capscrew, Hex Hd.-1/4"-20 X 1/2"	10HP/3Ø/50/60 HZ
60	4	012-210	Washer, Flat -1/4" Bolt S	10HP/3Ø/50/60 HZ
61	11	012-200	Washer, Lock Helical-5/16"	10HP/3Ø/50/60 HZ
62	11	012-211	Washer, Flat -5/16" Bolt Size	10HP/3Ø/50/60 HZ
63	3	010-036	Capscrew, Hex Hd.-5/16-18 X 1/2"	10HP/3Ø/50/60 HZ
64	4	010-006	Capscrew, Hex Hd.-5/16-18 X 1"	10HP/3Ø/50/60 HZ
65	4	010-008	Capscrew, Hex Hd.-5/16-18 X 1 1/2"	10HP/3Ø/50/60 HZ
66	4	010-037	Capscrew, Hex Hd -5/16-18 X 3/4"	10HP/3Ø/50/60 HZ
67	2	011-098	Screw, Mach. R/H Slot -1/4"-28 X 5/8"	10HP/3Ø/50/60 HZ
68	4	011-502	Nut, Hex -5/16"-18	10HP/3Ø/50/60 HZ



**Parts Listings - Power Packs - 10 Horse Power**

<b>Item</b>	<b>Qty</b>	<b>Part No</b>	<b>General Description</b>	<b>Specific Description</b>
69	4	012-252	Washer, Flat - 3/8"ID Bs	10HP/3Ø/50/60 HZ
70	7	014-056	Screw, Self Tap -#8x1/2"	10HP/3Ø/50/60 HZ
71	2	014-057	Screw, Self Tap -#8 X 3/4"	10HP/3Ø/50/60 HZ
72	2	014-002	Screw, Set -1/4"X 3/8"	10HP/3Ø/50/60 HZ
73	1	090-581-1680	Wire Per Metre (168"Lg)	10HP/3Ø/50/60 HZ
74	1	110-287	Bracket, 2 Push Buttons 6"Lg	10HP/3Ø/50/60 HZ
75	9	010-012	Capscrew, Hex Hd. 3/8-16 X 3/4"	10HP/3Ø/50/60 HZ
76	9	012-201	Washer, Lock -3/8"Dia.Helical	10HP/3Ø/50/60 HZ

**11. Parts Listings - Semi-Portable Elevating Docks**

**11.1 General Assembly - 4, 5, & 6,000 lb. Cap. - 96" Deck Length**

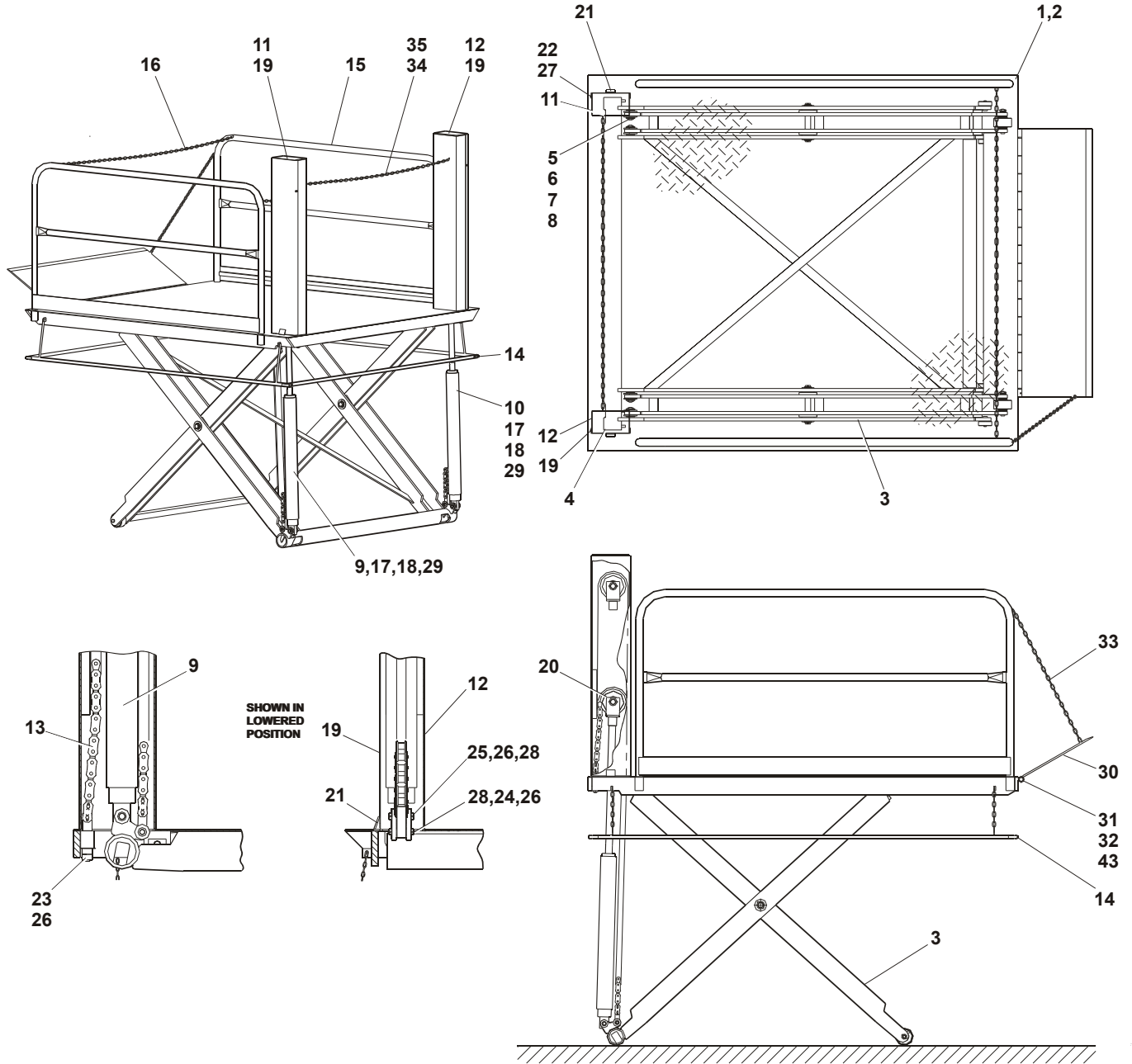


Figure 54 : General Assembly - 4, 5, & 6,000 lb. - 96" Deck Length

**General Assembly - 4, 5, & 6,000 lb. Cap. - 96" Deck Length**

Item	Qty	Part No	General Description	Specific Description
			<b>Semi-Portable Elevating Dock</b>	<b>REF DWG. 796-735</b>
<b>1</b>	<b>1</b>	<b>796-727</b>	<b>Deck &amp; Leg Ass'y (72"X96")</b>	<b>4,000/72X96"</b>
<b>1</b>	<b>1</b>	<b>796-746</b>	<b>Deck &amp; Leg Ass'y (72"X96")</b>	<b>5,000/72X96"</b>
<b>1*</b>	<b>1</b>	<b>796-746-1</b>	<b>Deck &amp; Leg Ass'y (72"X96")</b>	<b>6,000/72X96"</b>
2	1	796-729	Deck Assembly (72"X96")	4,85,000/72X96"
2	1	796-729-1	Deck Assembly (6s/72"X96")	6,000/72X96"
<b>3**</b>	<b>2</b>	<b>796-292</b>	<b>Leg Assembly (85-3/4"X4")</b>	<b>4,000/72X96"</b>
<b>3**</b>	<b>2</b>	<b>796-718</b>	<b>Leg Assembly (85-3/4"X4-1/2")</b>	<b>5,86,000/72X96"</b>
4	1	796-781	Torque Bar Ass'y (62-1/2")	4,5,86,000/72X96"
5	4	797-445	Pin Weldment (2-1/8"Lg)	4,5,86,000/72X96"
6	4	013-011	Spring Pin 1/4 X 1-3/8	4,5,86,000/72X96"
6	4	013-012	Spring Pin 1/4" X 2"	4,5,86,000/72X96"
7	12	012-214	Washer, Flat Plain - 3/4" BS	4,5,86,000/72X96"
8	4	018-001	Bushing - 3/4" Lg	4,5,86,000/72X96"
<b>9**</b>	<b>1</b>	<b>786-720</b>	<b>Cylinder Ass'y (Left) [2-1/2"Dia]</b>	<b>4,85,000/72X96</b>
<b>9**</b>	<b>1</b>	<b>786-657</b>	<b>Cylinder Ass'y (Left) [3"Dia]</b>	<b>6,000/72X96"</b>
<b>10**</b>	<b>1</b>	<b>786-721</b>	<b>Cylinder Ass'y (Right)[2-1/2"Dia]</b>	<b>4,85,000/72X96</b>
<b>10*</b>	<b>1</b>	<b>786-658</b>	<b>Cylinder Ass'y (Right)[3"Dia]</b>	<b>6,000/72X96"</b>
11	1	797-267	Post, Cylinder Weld (Left)	4,5,86,000/72X96"
12	1	797-248	Post, Cylinder Weld (Right)	4,5,86,000/72X96"
13	2	796-946	Chain Assembly (93-3/4"Lg)	4,5,86,000/72X96"
14	1	302-5000-7296	Bar, Safety Indicator	4,5,86,000/72X96"
15	1	312-5080-4	Guard Rail, Right Side 96"Deck	4,5,86,000/72X96"
16	1	312-5081-4	Guard Rail, Left Side 96"Deck	4,5,86,000/72X96"
17	2	034-599	Fitting Elbow Forged #6MP-4MP-90	4,5,86,000/72X96"
18	2	033-661	Velocity Fuse - 5 GPM	4,5,86,000/72X96"
19	2	103-806	Cover, Post (49-1/2"X8-5/8"ID)	4,5,86,000/72X96"
<b>20**</b>	<b>2</b>	<b>797-459</b>	<b>Crosshead Assembly (3"X3")</b>	<b>4,5,86,000/72X96"</b>
21	2	103-744	Spacer	4,5,86,000/72X96"
22	4	012-202	Washer, Lock - 1/4" Helical	4,5,86,000/72X96"
23	2	011-535	Nut, Hex - 3/4"-10 Nylon Insert	4,5,86,000/72X96"
24	2	103-214	Pin, Chain Link Block	4,5,86,000/72X96"
25	2	103-215	Pin, Cylinder Pivot	4,5,86,000/72X96"
26	10	105-879	Washer - 3/4" X 1-3/16" X 1/16"	4,5,86,000/72X96"
27	4	010-072	Capscrew, Hex Hd. - 1/4-20 X 1/2"	4,5,86,000/72X96"
28	8	013-024	Cotter Pin-5/32" X 1-1/4"	4,5,86,000/72X96"
29	2	034-044	Fitting, 6-6	4,5,86,000/72X96"
30	1	302-5002	Lip Assy,60"(18"Lg,4&5#)1pc Lp	4,85,000/72X96"
30	1	302-5002-7	Lip Assy,60"(18"Lg,4&5#)1pc Lp	6,000/72X96"
31	1	121-616-1	Bar For Lip Hinge (60"Lg)	4,85,000/72X96"
31	1	106-205	Bar For Lip Hinge (60"Lg)	6,000/72X96"
32	1	013-005	Spring Pin 5/32"X1"Lg	4,85,000/72X96"
32	1	013-008	Spring Pin 3/16"X2"Lg	6,000/72X96"
33	1	091-023-0600	Chain (60"Lg) 3/16"	4,85,000/72X96"
34	1	091-023-0660	Chain (3/16"Galvanized) (66"Lg)	4,000/72X96"
34	2	091-036-0580	Chain (1/8"Galvanized) (58"Lg)	5,86,000/72X96"
35	2	R3-19203	Hook Snap 4"Lg ( <i>Not Shown</i> )	4,5,86,000/72X96"
36	1	797-640	Cradle Plate Assy R.H. ( <i>Not Shown</i> )	4,5,86,000/72X96"
37	1	796-926	Cradle Plate Assy L.H. (Ed) ( <i>Not Shown</i> )	4,5,86,000/72X96"
38	2	105-487	Wear Plate ( <i>Not Shown</i> )	4,5,86,000/72X96"
39	1	797-125	Hose Ass'y #6 Hose (12"Lg) ( <i>Not Shown</i> )	4,5,86,000/72X96"
40	1	320-5002	Hose Assy, #6 HP 43"Lg (Str.- 45°) ( <i>Not Shown</i> )	4,5,86,000/72X96"
41	1	300-5000-38	Hose, #6 Hp(144"Lg) Str. Swivel(2) ( <i>Not Shown</i> )	4,5,86,000/72X96"
42	2GA	039-066	Paint, Blue (Fast Dry Enamel) ( <i>Not Shown</i> )	4,5,86,000/72X96"
43	2	120-353	Spring, Torsion	4,5,86,000/72X96"

\* - INDENTED SUB-ASSEMBLY – SHOWN ON SAME PAGE

\*\* - SUBASSEMBLY SHOWN ON SEPARATE PAGE

**11.1.1 Leg Assembly - 4, 5, & 6,000 lb. Cap. - 72x96" Deck**

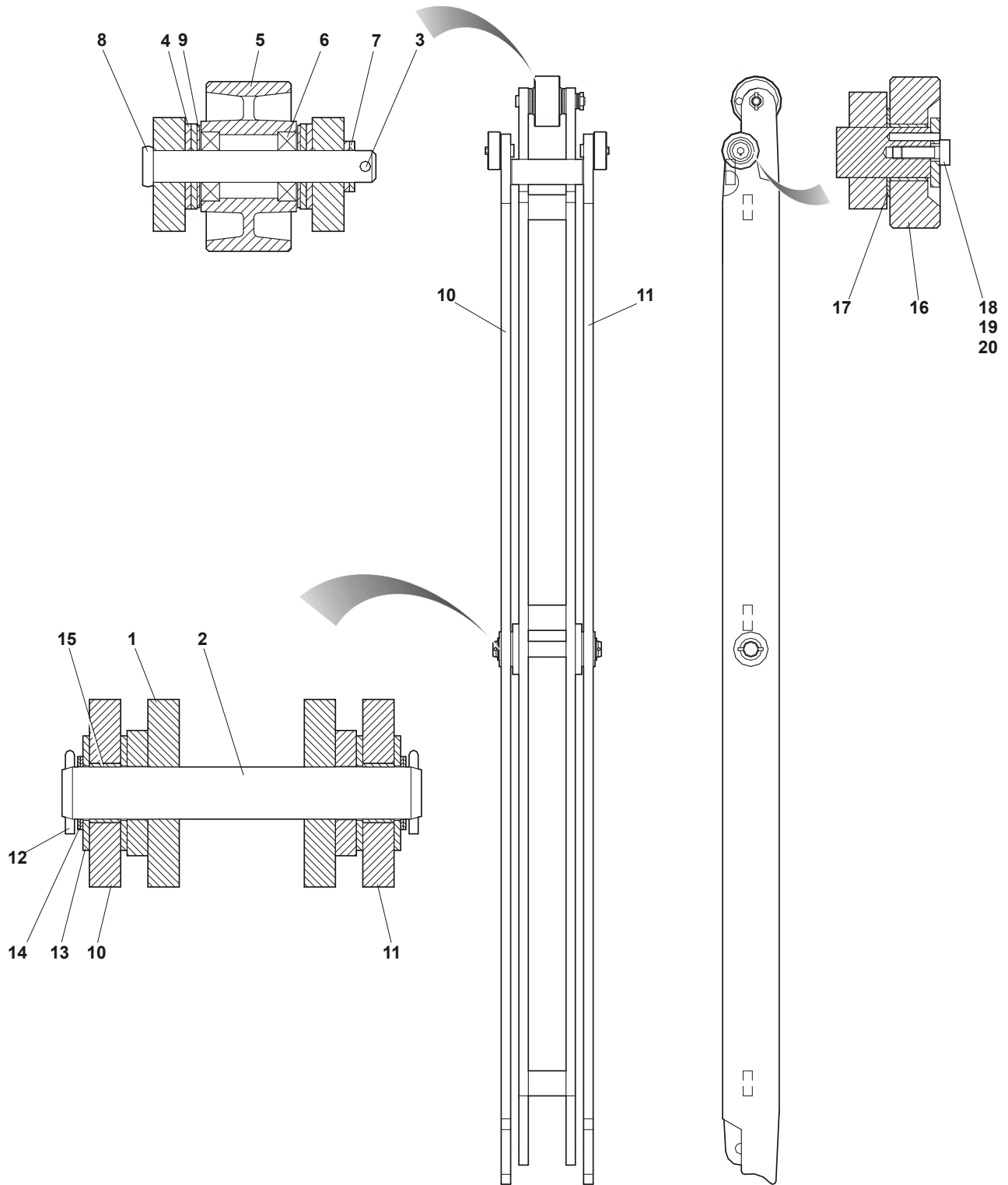


Figure 55 : Leg Assembly - 4, 5, & 6,000 lb. Cap. - 72x96" Deck Length

**Leg Assembly - 4, 5, & 6,000 lb. Cap. - 72x96" Deck Length**

Item	Qty	Part No	General Description	Specific Description
-	-	<b>796-292</b>	<b>Leg Assembly (85-3/4"X4")</b>	<b>4,000/72X96"</b>
-	-	<b>796-718</b>	<b>Leg Assembly (85-3/4"X4-1/2")</b>	<b>5,&amp;6,000/72X96"</b>
<b>1*</b>	<b>1</b>	<b>796-291</b>	<b>Leg Assy, Inner 85-3/4"X4-1/2"</b>	<b>4,000/72X96"</b>
<b>1*</b>	<b>1</b>	<b>796-719</b>	<b>Leg Assy, Inner 85-3/4"X4-1/2"</b>	<b>5,&amp;6,000/72X96"</b>
2	1	103-935	Pin, Centre (8-5/8"X1-1/4"Dia)	4,5,&6,000/72X96"
3	1	013-011	Spring Pin 1/4" X 1-3/8"	4,5,&6,000/72X96"
4	4	012-214	Washer, Flat - 3/4" BS	4,5,&6,000/72X96"
5	1	100-103	Wheel Cast Steel (4"X2")	4,5,&6,000/72X96"
6	2	018-500	Bearing, 3/4"X1-5/8"X7/16"	4,5,&6,000/72X96"
7	2	105-880	Washer Spacer- 3/4"x1-3/16"x1/8"	4,5,&6,000/72X96"
8	1	106-170	Axle, Load Roller (5-1/4"Lg)	4,5,&6,000/72X96"
9	2	105-879	Washer, 3/4" X 1-3/16" X 1/16"	4,5,&6,000/72X96"
10	1	796-290	Leg Assy, Left (82-3/4"X4")	4,000/72X96"
10	1	796-720	Leg Assy, Left (82-3/4"X4-1/2")	5,&6,000/72X96"
11	1	796-289	Leg Ass'y, Right (82-3/4"X4")	4,000/72X96"
11	1	796-721	Leg Ass'y, Right (82-3/4"X4-1/2")	5,&6,000/72X96"
12	2	013-082	Cotter Pin 1/4" X 2"	4,5,&6,000/72X96"
13	4	012-216	Washer, Flat Plain 1-5/16" Bolt Size	4,5,&6,000/72X96"
14	4	105-882	Washer, Spacer (1-3/4" Dia)	4,5,&6,000/72X96"
15	2	018-025	Bushing 1-1/4" X 3/4lg	4,5,&6,000/72X96"
16	2	105-225	Roller C/W Bushing 018-051	4,5,&6,000/72X96"
17	2	106-389	Washer, 1-3/4"ODx1"IDx 1/16"Thk	4,5,&6,000/72X96"
18	2	107-038	Washer	4,5,&6,000/72X96"
19	2	010-037	Capscrew, Hex Hd. 5/16"-18 X 3/4"	4,5,&6,000/72X96"
20	2	013-005	Spring Pin 5/32"X1"Lg	4,5,&6,000/72X96"

\* - INDENTED SUB-ASSEMBLY – SHOWN ON SAME PAGE

\*\* - SUBASSEMBLY SHOWN ON SEPARATE PAGE

11.1.2 Cylinder Assembly - 4, 5, & 6,000 lb. Cap. - 72x96" Deck Length

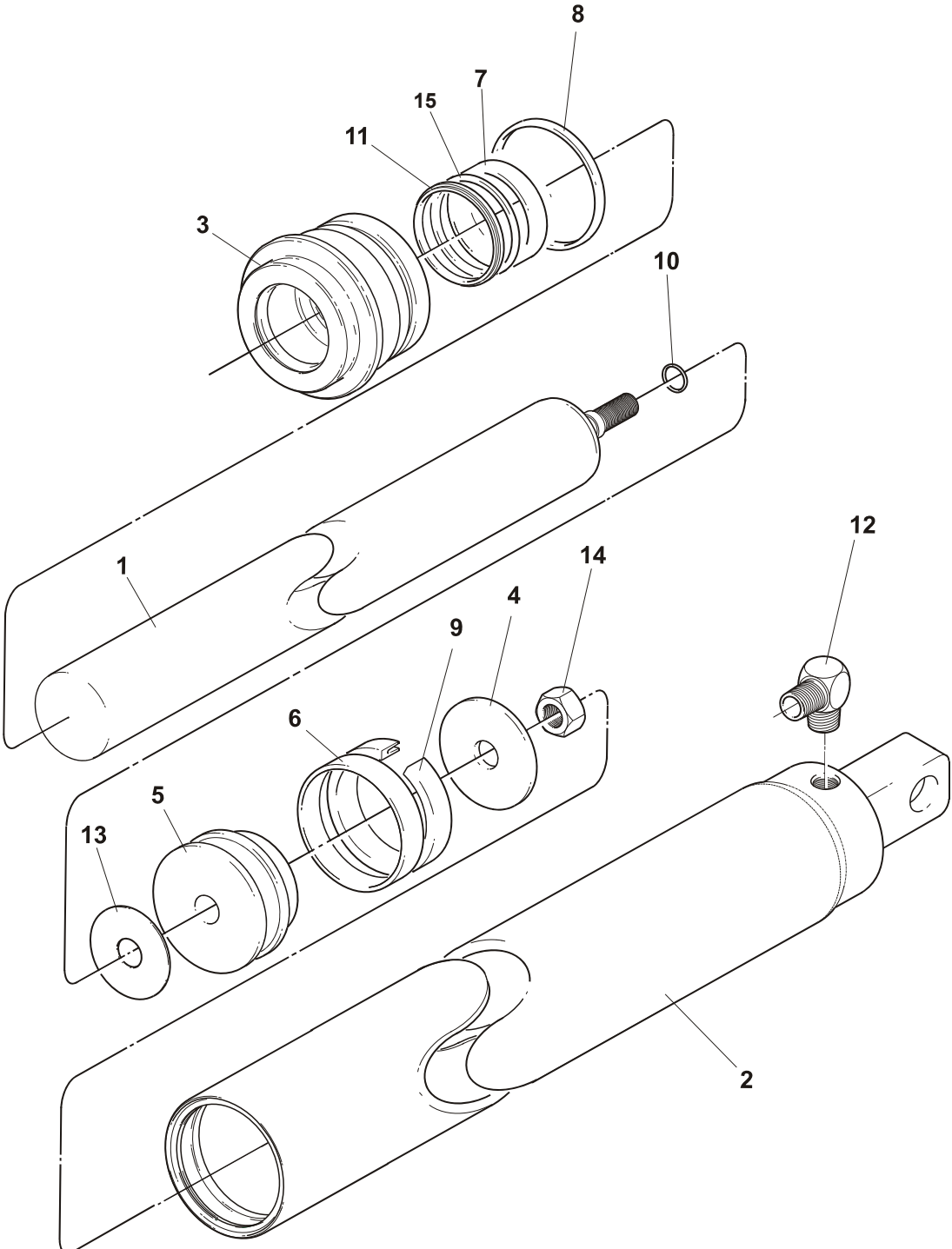


Figure 56 : Cylinder Assembly - 4, 5, & 6,000 lb. Cap. - 96" Deck Length

**Cylinder Assembly - 4, 5, & 6,000 lb. Cap. - 72x96" Deck Length**

Item	Qty	Part No	General Description	Specific Description
-	-	<b>786-720</b>	<b>Cylinder Ass'y (Left) [2-1/2"Dia]</b>	<b>4,&amp;5,000/72X96"</b>
-	-	<b>786-657</b>	<b>Cylinder Ass'y (Left) [3"Dia]</b>	<b>6,000/72X96"</b>
-	-	<b>786-721</b>	<b>Cylinder Ass'y (Right)[2-1/2"Dia]</b>	<b>4,&amp;5,000/72X96"</b>
-	-	<b>786-658</b>	<b>Cylinder Ass'y (Right)[3"Dia]</b>	<b>6,000/72X96"</b>
1	1	118-386	Ram - Semi Portable Table	4,5,&6,000/72X96"
2	1	783-539	Housing Weldment (Left) [2-1/2"Dia]	4,&5,000/72X96"
2	1	783-533	Housing Weldment (Right) [2-1/2"Dia]	4,&5,000/72X96"
2	1	783-537	Housing Weldment (Left) [3"Dia]	6,000/72X96"
2	1	783-532	Housing Weldment (Right) [3"Dia]	6,000/72X96"
3	1	118-387	Headnut, 2-1/2" Dia Cyl (1-1/2" Dia Rd)	4,&5,000/72X96"
3	1	118-389	Headnut, 3" Dia Cyl (1-1/2" Dia Rd)	6,000/72X96"
4	1	114-977	Washer, Piston (2-1/2" Dia)	4,&5,000/72X96"
4	1	114-978	Washer, Piston (3" Dia)	6,000/72X96"
5	1	113-522	Piston Use 113-629 Washer 2-1/2" Dia	4,&5,000/72X96"
5	1	114-640	Piston 3" Dia Cyl.	6,000/72X96"
6●	1	036-153	Wear Ring - 2-1/2" Wide Piston	4,&5,000/72X96"
6●	1	036-154	Wear Ring - 3" Wide Piston	6,000/72X96"
7●	1	036-143	Rod Wear Ring	4,5,&6,000/72X96"
8●	1	036-133	O-Ring, 2-1/2"ODx2-1/4"ID	4,&5,000/72X96"
8●	1	036-132	O-Ring, 3"ODx2-1/4"ID	6,000/72X96"
9●	1	036-119	U-Cup, Seal 1.875" X 2.5" X .5"	4,&5,000/72X96"
9●	1	036-112	U-Cup, Seal - 3" X 2-3/8" X 1/2"	6,000/72X96"
10●	1	036-108	O-Ring, 3/4"OD X 5/8"ID X 1/16"	4,5,&6,000/72X96"
11●	1	036-098	Wiper, 1-3/4ODx1-1/2	4,5,&6,000/72X96"
12	1	034-500	Fitting, 2103-6-6	4,5,&6,000/72X96"
13●	1	118-368	Gasket, 2" Dia Cyl	4,&5,000/72X96"
13●	1	117-993	Gasket	6,000/72X96"
14	1	011-530	Nut, Hex Jam, 3/4"-10	4,5,&6,000/72X96"
15●	1	036-180	O-Ring (Reciprocating)	4,5,&6,000/72X96"
-	-	<b>783-536</b>	<b>Kit, Seal - Includes Items marked (●)</b>	<b>4,&amp;5,000/72X96"</b>
-	-	<b>783-538</b>	<b>Kit, Seal - Includes Items marked (●)</b>	<b>6,000/72X96"</b>

**11.1.3 Crosshead Assembly - 4, 5, & 6,000 lb. Cap. - 72x96" Deck Length**

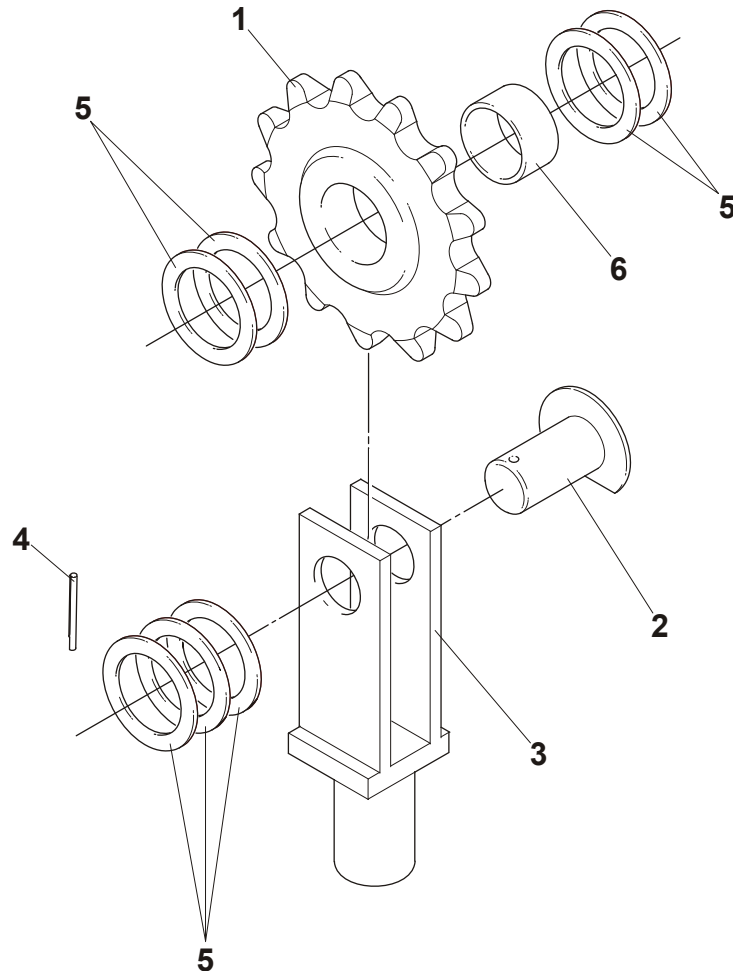


Figure 57 : Crosshead Assembly - 4, & 5,000 lb. Cap. - 72x96" Deck Length



**Crosshead Assembly - 4, 5, & 6,000 lb. Cap. - 72x96" Deck Length**

<b>Item</b>	<b>Qty</b>	<b>Part No</b>	<b>General Description</b>	<b>Specific Description</b>
-	-	<b>797-459</b>	<b>Crosshead Assembly (3"X3")</b>	<b>4,5,&amp;6,000/72X96"</b>
1	1	105-645	Sprocket (Ramtop) Assembly	4,5,&6,000/72X96"
2	1	797-451	Pin Assembly (3"X1-1/4")	4,5,&6,000/72X96"
3	1	797-504	Crosshead Weldment (1-1/2"Ram)	4,5,&6,000/72X96"
4	1	013-012	Spring Pin - 1/4" X 2"	4,5,&6,000/72X96"
5	8	105-882	Washer-Spacer - (1-3/4" Dia)	4,5,&6,000/72X96"
6	1	018-027	Bushing	4,5,&6,000/72X96"

**11.2 General Assembly - 4, & 5,000 lb. Cap. - 72x120" Deck Length**

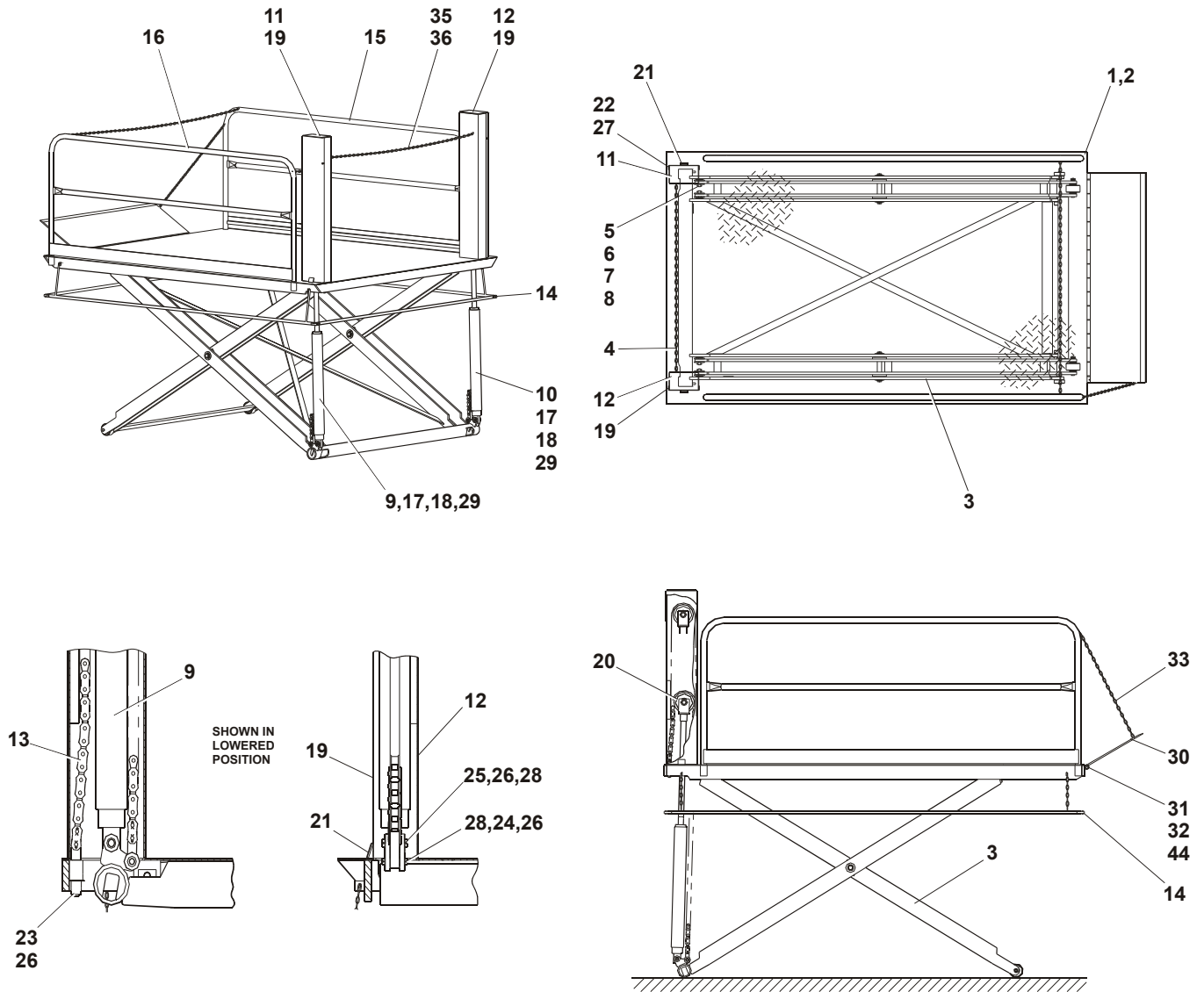


Figure 58 : General Assembly - 4, & 5,000 lb. - 72x120" Deck Length

Item	Qty	Part No	General Description	Specific Description
			<b>Semi-Portable Elevating Dock</b>	<b>REF. DWG. - 796-086</b>
<b>1*</b>	<b>1</b>	<b>796-090</b>	<b>Deck &amp; Leg Ass'y (72"X120")</b>	<b>4,000/72X120"</b>
<b>1*</b>	<b>1</b>	<b>796-089</b>	<b>Deck &amp; Leg Ass'y (72"X120")</b>	<b>5,000/72X120"</b>
2	1	796-091	Deck Assembly (72"X120")	4,& 5,000/72X120"
<b>3**</b>	<b>2</b>	<b>796-114</b>	<b>Leg Assembly (109-3/4"X4-1/2")</b>	<b>4,000/72X120"</b>
<b>3**</b>	<b>2</b>	<b>796-111</b>	<b>Leg Assembly (109-3/4"X4-1/2")</b>	<b>5,000/72X120"</b>
4	1	796-781	Torque Bar Ass'y (62-1/2")	4,& 5,000/72X120"
5	4	797-445	Pin Weldment (2-1/8"Lg)	4,& 5,000/72X120"
6	4	013-012	Spring Pin 1/4" X 2"	4,& 5,000/72X120"
7	12	012-214	Washer, Flat Plain - 3/4" Bs	4,& 5,000/72X120"
8	4	018-001	Bushing - 3/4" Lg	4,000/72X120"
8	4	018-010	Bushing - 1" Lg	5,000/72X120"
<b>9**</b>	<b>1</b>	<b>786-720</b>	<b>Cylinder Ass'y (Left) [2-1/2"Dia]</b>	<b>4,&amp; 5,000/72X120"</b>
<b>10**</b>	<b>1</b>	<b>786-721</b>	<b>Cylinder Ass'y (Right)[2-1/2"Dia]</b>	<b>4,&amp; 5,000/72X120"</b>
11	1	797-267	Post, Cylinder Weld (Left)	4,& 5,000/72X120"
12	1	797-248	Post, Cylinder Weld (Right)	4,& 5,000/72X120"
13	2	794-833	Chain Assembly (93-3/4"Lg)	4,& 5,000/72X120"
14	1	302-5000-72120	Bar, Safety Indicator	4,& 5,000/72X120"
15	1	312-5080-6	Guard Rail, Right Side 120"Deck	4,& 5,000/72X120"
16	1	312-5081-6	Guard Rail, Left Side 120"Deck	4,& 5,000/72X120"
17	2	034-599	Fitting Elbow Forged #6MP-4MP-90	4,& 5,000/72X120"
18	2	033-661	Velocity Fuse - 5 Gpm	4,& 5,000/72X120"
19	2	103-806	Cover, Post (49-1/2"X8-5/8"Id)	4,& 5,000/72X120"
<b>20**</b>	<b>2</b>	<b>797-459</b>	<b>Crosshead Assembly (3"X3")</b>	<b>4,&amp; 5,000/72X120"</b>
21	2	103-744	Spacer	4,& 5,000/72X120"
22	4	012-202	Washer, Lock - 1/4" Helical	4,& 5,000/72X120"
23	2	011-535	Nut, Hex - 3/4"-10 Nylon Insert	4,& 5,000/72X120"
24	2	103-214	Pin, Chain Link Block	4,& 5,000/72X120"
25	2	103-215	Pin, Cylinder Pivot	4,& 5,000/72X120"
26	10	105-879	Washer - 3/4" X 1-3/16" X 1/16"	4,& 5,000/72X120"
27	4	010-072	Capscrew, Hex Hd. - 1/4-20 X 1/2"	4,& 5,000/72X120"
28	8	013-024	Cotter Pin-5/32" X 1-1/4"	4,& 5,000/72X120"
29	2	034-044	Fitting, 6-6	4,& 5,000/72X120"
30	1	302-5002	Lip Assy,60"(18"Lg,4&5#)1pc Lp	4,& 5,000/72X120"
31	1	121-616-1	Bar For Lip Hinge (60"Lg)	4,& 5,000/72X120"
32	1	013-005	Spring Pin 5/32"X1"Lg	4,& 5,000/72X120"
33	1	013-008	Spring Pin 3/16"X2"Lg	4,& 5,000/72X120"
34	1	091-023-0600	Chain (60"Lg) 3/16"	4,& 5,000/72X120"
35	1	091-023-0660	Chain (3/16"Galvanized) (66"Lg)	4,000/72X120"
35	2	091-036-0580	Chain (1/8"Galvanized) (58"Lg)	5,000/72X120"
36	2	R3-19203	Hook Snap 4"Lg	4,& 5,000/72X120"
37	1	797-640	Cradle Plate Assy R.H,	4,& 5,000/72X120"
38	1	796-926	Cradle Plate Assy L.H. (Ed)	4,& 5,000/72X120"
39	2	105-487	Wear Plate	4,& 5,000/72X120"
40	1	797-125	Hose Ass'y #6 Hose (12"Lg)	4,& 5,000/72X120"
41	1	320-5002	Hose Assy, #6 Hp 43"Lg (Str.- 45°)	4,& 5,000/72X120"
42	1	300-5000-38	Hose, #6 Hp(144"Lg) Str. Swivel(2)	4,& 5,000/72X120"
43	2GA	039-066	Paint, Blue (Fast Dry Enamel)	4,& 5,000/72X120"
44	2	120-353	Spring, Torsion	4,& 5,000/72X120"

\* - INDENTED SUB-ASSEMBLY – SHOWN ON SAME PAGE

\*\* - SUBASSEMBLY SHOWN ON SEPARATE PAGE

11.2.1 Leg Assembly - 4, & 5,000 lb. Cap. - 72x120" Deck

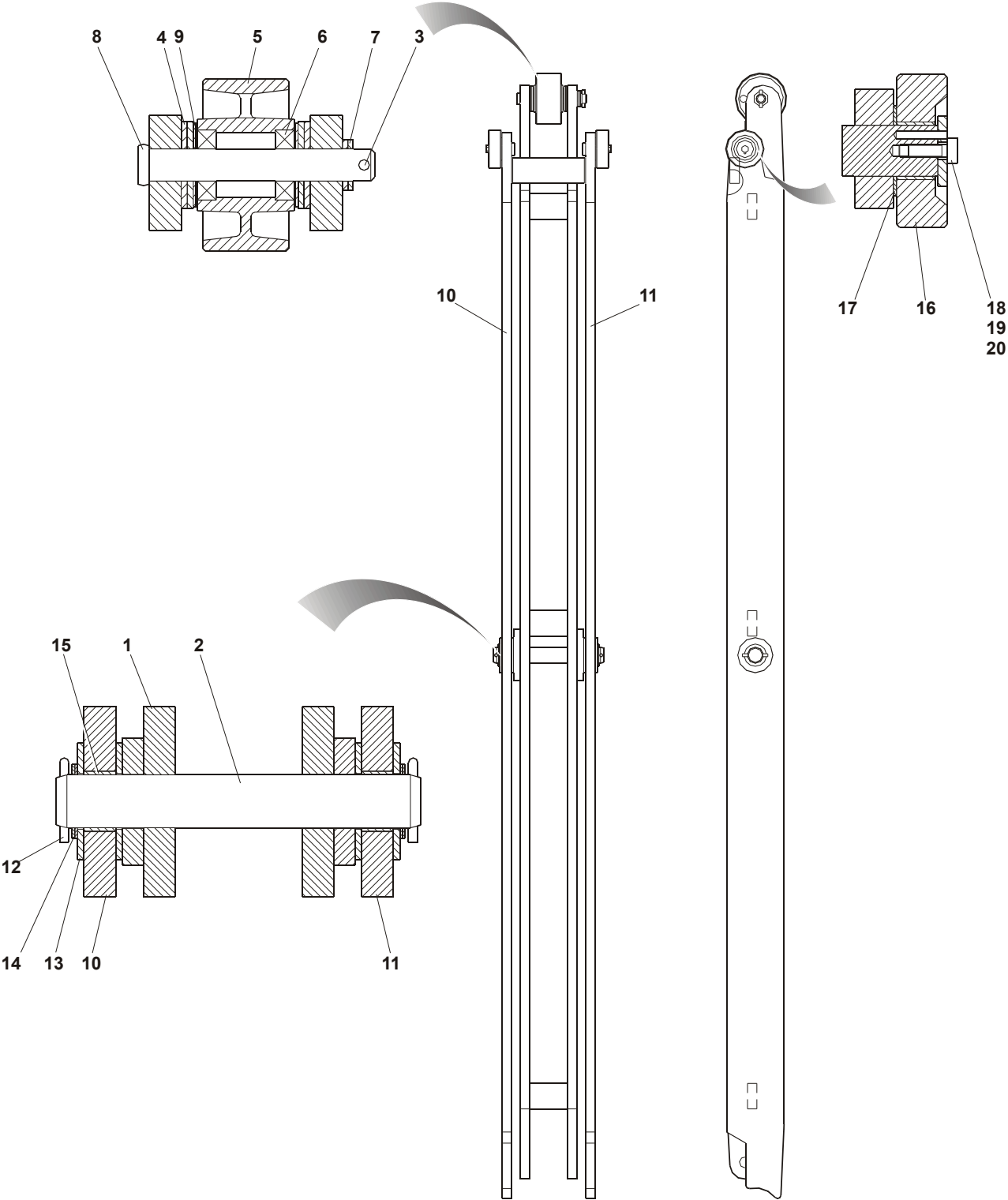


Figure 59 : Leg Assembly - 4, & 5,000 lb. Cap. - 72x120" Deck Length

Item	Qty	Part No	General Description	Specific Description
-	-	<b>796-114</b>	<b>Leg Assembly (109-3/4"X4-1/2")</b>	<b>4,000/72X120"</b>
-	-	<b>796-111</b>	<b>Leg Assembly (109-3/4"X5")</b>	<b>5,000/72X120"</b>
<b>1*</b>	1	<b>796-106</b>	<b>Leg Assy, Inner 109-3/4"X4-1/2"</b>	<b>4,000/72X120"</b>
<b>1*</b>	1	<b>796-105</b>	<b>Leg Assy, Inner 109-3/4"X5"</b>	<b>5,000/72X120"</b>
2	1	103-935	Pin, Centre (8-5/8"X1-1/4"Dia)	4,000/72X120"
2	1	103-934	Pin, Centre 1" THK. Legs	5,000/72X120"
3	1	013-011	Spring Pin 1/4" X 1-3/8"	4,& 5,000/72X120"
4	4	012-214	Washer, Flat - 3/4" Bs	4,& 5,000/72X120"
5	1	100-103	Wheel Cast Steel (4"X2")	4,& 5,000/72X120"
6	2	018-500	Bearing, 3/4"X1-5/8"X7/16"	4,& 5,000/72X120"
7	2	105-880	Washer Spacer- 3/4"x1-3/16"x1/8"	4,& 5,000/72X120"
8	1	106-170	Axle, Load Roller (5-1/4"Lg)	4,000/72X120"
8	1	313-0015	Axle, Load Roller (5-3/4"x3/4")	5,000/72X120"
9	2	105-879	Washer, 3/4" X 1-3/16" X 1/16"	4,& 5,000/72X120"
10	1	796-107	Leg Assy, Left (106-3/4"X4-1/2")	4,000/72X120"
10	1	796-104	Leg Assy, Left (106-3/4"X4-1/2")	5,000/72X120"
11	1	796-108	Leg Ass'y, Right (106-3/4"X4-1/2")	4,000/72X120"
11	1	796-103	Leg Ass'y, Right (106-3/4"X4-1/2")	5,000/72X120"
12	2	013-082	Cotter Pin 1/4" X 2"	4,& 5,000/72X120"
13	4	012-216	Washer, Flat Plain 1-5/16" Bolt Size	4,& 5,000/72X120"
14	4	105-882	Washer, Spacer (1-3/4" Dia)	4,& 5,000/72X120"
15	2	018-025	Bushing 1-1/4" X 3/4lg	4,& 5,000/72X120"
16	2	105-225	Roller C/W Bushing 018-051	4,& 5,000/72X120"
17	2	106-389	Washer, Spc. 1-3/4"ODx1"IDx1/16"T	4,& 5,000/72X120"
18	2	107-038	Washer	4,& 5,000/72X120"
19	2	010-037	Capscrew, Hex Hd. 5/16"-18 X 3/4"	4,& 5,000/72X120"
20	2	013-005	Spring Pin 5/32"X1"Lg	4,& 5,000/72X120"

\* - INDENTED SUB-ASSEMBLY – SHOWN ON SAME PAGE

\*\* - SUBASSEMBLY SHOWN ON SEPARATE PAGE

11.2.2 Cylinder Assembly - 4, & 5,000 lb. Cap. - 72x120" Deck

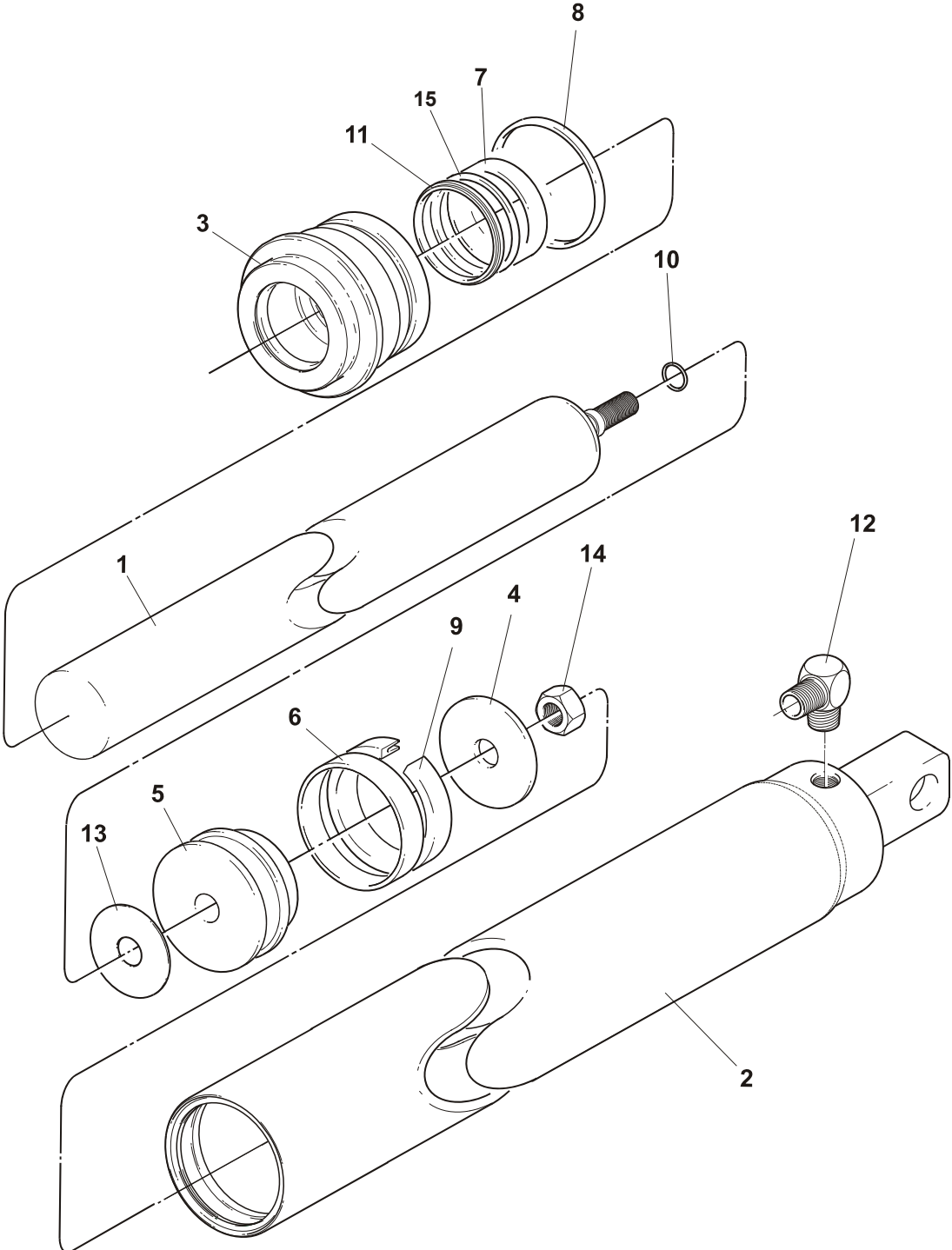


Figure 60 : Cylinder Assembly - 4, & 5,000 lb. Cap. - 72x120" Deck

**Cylinder Assembly - 4, & 5,000 lb. Cap. - 72x120" Deck**

Item	Qty	Part No	General Description	Specific Description
-	-	<b>786-720</b>	<b>Cylinder Ass'y (Left) [2-1/2"Dia]</b>	<b>4,5S72X120</b>
-	-	<b>786-721</b>	<b>Cylinder Ass'y (Right)[2-1/2"Dia]</b>	<b>4,5S72X120</b>
1	1	118-386	Ram - Semi Portable Table	4,5S72X120
2	1	783-539	Housing Weldment (Left) [2-1/2"Dia]	4,5S72X120
2	1	783-533	Housing Weldment (Right) [2-1/2"Dia]	4,5S72X120
3	1	118-387	Headnut, 2-1/2" Dia Cyl (1-1/2" Dia Rd)	4,5S72X120
4	1	114-977	Washer, Piston (2-1/2" Dia)	4,5S72X120
5	1	113-522	Piston Use 113-629 Washer 2-1/2" Dia	4,5S72X120
6●	1	036-153	Wear Ring - 2-1/2" Wide Piston	4,5S72X120
7●	1	036-143	Rod Wear Ring	4,5S72X120
8●	1	036-133	O-Ring, 2-1/2"ODx2-1/4"ID	4,5S72X120
9●	1	036-119	U-Cup, Seal 1.875" x 2.5" x .5"	4,5S72X120
10●	1	036-108	O-Ring, 3/4"Od x 5/8"ID x 1/16"	4,5S72X120
11●	1	036-098	Wiper, 1-3/4ODx1-1/2	4,5S72X120
12	1	034-500	Fitting, 2103-6-6	4S72X120
13●	1	118-368	Gasket, 2" Dia Cyl	4,5S72X120
14	1	011-530	Nut, Hex Jam, 3/4"-10	4,5S72X120
15●	1	036-180	O-Ring (Reciprocating)	4,5S72X120
-	-	<b>783-536</b>	<b>Kit, Seal - Includes Items marked (●)</b>	<b>4,5S72X120</b>

**11.2.3 Crosshead Assembly - 4, & 5,000 lb. Cap. - 72x120" Deck**

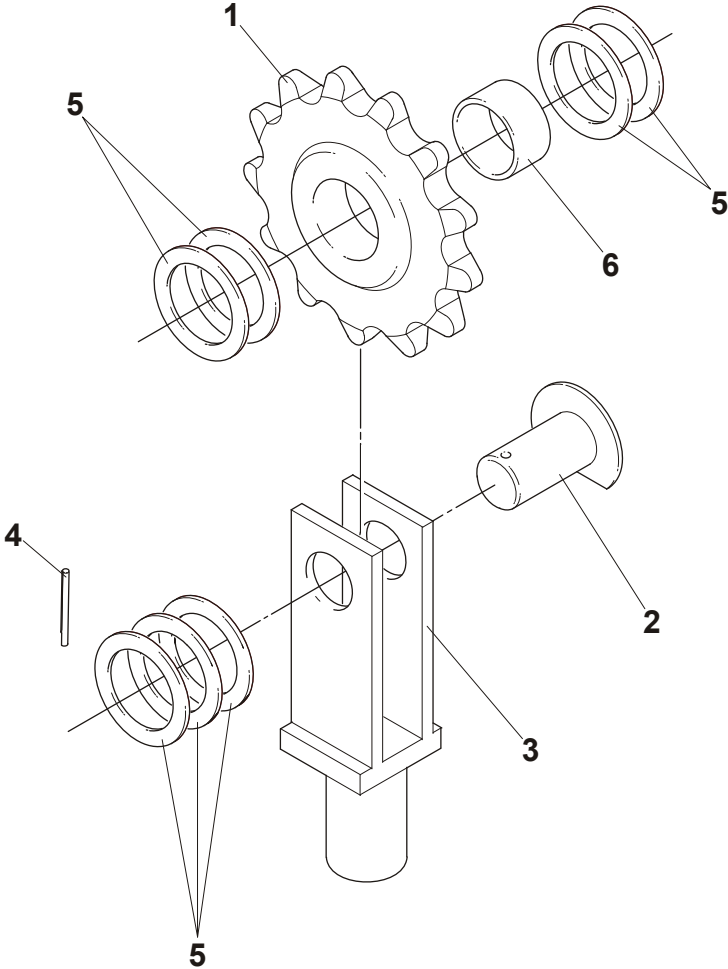


Figure 61 : Crosshead Assembly - 4, & 5,000 lb. Cap. - 72x120" Deck Length



**Cylinder Assembly - 4, & 5,000 lb. Cap. - 72x120" Deck**

<b>Item</b>	<b>Qty</b>	<b>Part No</b>	<b>General Description</b>	<b>Specific Description</b>
-	-	<b>797-459</b>	<b>Crosshead Assembly (3"X3")</b>	<b>4,5S72X120</b>
1	1	105-645	Sprocket (Ramtop) Assembly	4,5S72X120
2	1	797-451	Pin Assembly (3"X1-1/4")	4,5S72X120
3	1	797-504	Crosshead Weldment (1-1/2"Ram)	4,5S72X120
4	1	013-012	Spring Pin - 1/4" X 2"	4,5S72X120
5	8	105-882	Washer-Spacer - (1-3/4" Dia)	4,5S72X120
6	1	018-027	Bushing	4,5S72X120

**11.3 General Assembly - 4, & 5,000 lb. Cap. - 84x96" Deck**

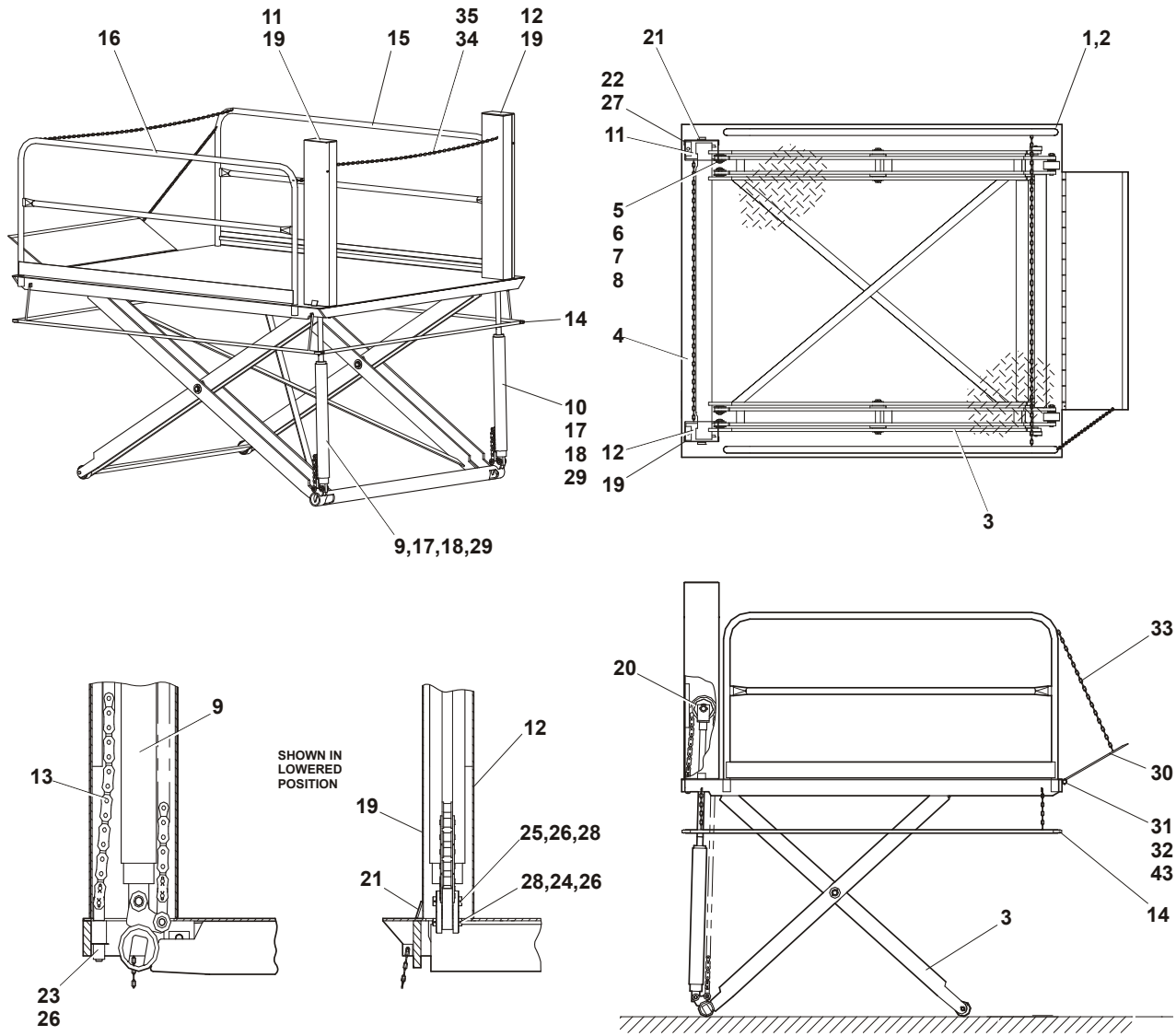


Figure 62 : 4, & 5,000 lb. Cap. - 84x96" Deck Length

**General Assembly - 4, & 5,000 lb. Cap. - 84x96" Deck**

Item	Qty	Part No	General Description	Specific Description
			<b>Semi-Portable Elevating Dock</b>	<b>REF. DWG - 796-094</b>
<b>1*</b>	<b>1</b>	<b>796-098</b>	<b>Deck &amp; Leg Ass'y (84"X96")</b>	<b>4,000/84X96"</b>
<b>1*</b>	<b>1</b>	<b>796-096</b>	<b>Deck &amp; Leg Ass'y (84"X96")</b>	<b>5,000/84X96"</b>
2	1	796-097	Deck Assembly (84"X96")	4,&5,000/84X96"
<b>3**</b>	<b>2</b>	<b>796-292</b>	<b>Leg Assembly (85-3/4"X4")</b>	<b>4,000/84X96"</b>
<b>3**</b>	<b>2</b>	<b>796-718</b>	<b>Leg Assembly (109-3/4"X4-1/2")</b>	<b>5,000/84X96"</b>
4	1	796-780	Torque Bar Assy (74-1/2"LG)	4,&5,000/84X96"
5	4	797-445	Pin Weldment (2-1/8"Lg)	4,&5,000/84X96"
6	4	013-012	Spring Pin 1/4" X 2"	4,&5,000/84X96"
7	12	012-214	Washer, Flat Plain - 3/4" BS	4,&5,000/84X96"
8	4	018-001	Bushing - 3/4" Lg	4,&5,000/84X96"
<b>9**</b>	<b>1</b>	<b>786-720</b>	<b>Cylinder Ass'y (Left) [2-1/2"Dia]</b>	<b>4,&amp;5,000/84X96"</b>
<b>10**</b>	<b>1</b>	<b>786-721</b>	<b>Cylinder Ass'y (Right)[2-1/2"Dia]</b>	<b>4,&amp;5,000/84X96"</b>
11	1	797-267	Post, Cylinder Weld (Left)	4,&5,000/84X96"
12	1	797-248	Post, Cylinder Weld (Right)	4,&5,000/84X96"
13	2	796-946	Chain Assembly (93-3/4"Lg)	4,&5,000/84X96"
14	1	302-5000-8496	Bar, Safety Indicator	4,&5,000/84X96"
15	1	312-5080-4	Guard Rail, Right Side 96"Deck	4,&5,000/84X96"
16	1	312-5081-4	Guard Rail, Left Side 96"Deck	4,&5,000/84X96"
17	2	034-599	Fitting Elbow Forged #6MP-4MP-90°	4,&5,000/84X96"
18	2	033-661	Velocity Fuse - 5 GPM	4,&5,000/84X96"
19	2	103-806	Cover, Post (49-1/2"X8-5/8"ID)	4,&5,000/84X96"
<b>20**</b>	<b>2</b>	<b>797-459</b>	<b>Crosshead Assembly (3"X3")</b>	<b>4,&amp;5,000/84X96"</b>
21	2	103-744	Spacer	4,&5,000/84X96"
22	4	012-202	Washer, Lock - 1/4" Helical	4,&5,000/84X96"
23	2	011-535	Nut, Hex - 3/4"-10 Nylon Insert	4,&5,000/84X96"
24	2	103-214	Pin, Chain Link Block	4,&5,000/84X96"
25	2	103-215	Pin, Cylinder Pivot	4,&5,000/84X96"
26	10	105-879	Washer - 3/4" X 1-3/16" X 1/16"	4,&5,000/84X96"
27	4	010-072	Capscrew, Hex Hd. - 1/4-20 X 1/2"	4,&5,000/84X96"
28	8	013-024	Cotter Pin-5/32" X 1-1/4"	4,&5,000/84X96"
29	2	034-044	Fitting, 6-6	4,&5,000/84X96"
30	1	302-5002	Lip Assy,60"(18"Lg,4&5#)1pc Lp	4,&5,000/84X96"
31	1	121-616-1	Bar For Lip Hinge (60"Lg)	4,&5,000/84X96"
32	1	013-005	Spring Pin 5/32"X1"Lg	4,&5,000/84X96"
33	1	091-023-0600	Chain (60"Lg) 3/16"	4,&5,000/84X96"
34	1	091-023-0700	Chain (1/8"Galvanized) (70"Lg)	4,&5,000/84X96"
35	2	R3-19203	Hook Snap 4"Lg	4,&5,000/84X96"
36	1	797-640	Cradle Plate Assy R.H,	4,&5,000/84X96"
37	1	796-926	Cradle Plate Assy L.H.	4,&5,000/84X96"
38	2	105-487	Wear Plate	4,&5,000/84X96"
39	1	797-125	Hose Ass'y #6 Hose (12"Lg)	4,&5,000/84X96"
40	1	320-5003	Hose Assy, #6 HP 43"Lg (Str.- 45°)	4,&5,000/84X96"
41	1	300-5000-38	Hose, #6 HP(144"Lg) Str. Swivel(2)	4,&5,000/84X96"
42	2GA	039-066	Paint, Blue (Fast Dry Enamel)	4,&5,000/84X96"
43	2	120-353	Spring, Torsion	4,&5,000/84X96"

\* - INDENTED SUB-ASSEMBLY – SHOWN ON SAME PAGE

\*\* - SUBASSEMBLY SHOWN ON SEPARATE PAGE

**11.3.1 Leg Assembly - 4, & 5,000 lb. Cap. - 84x96" Deck**

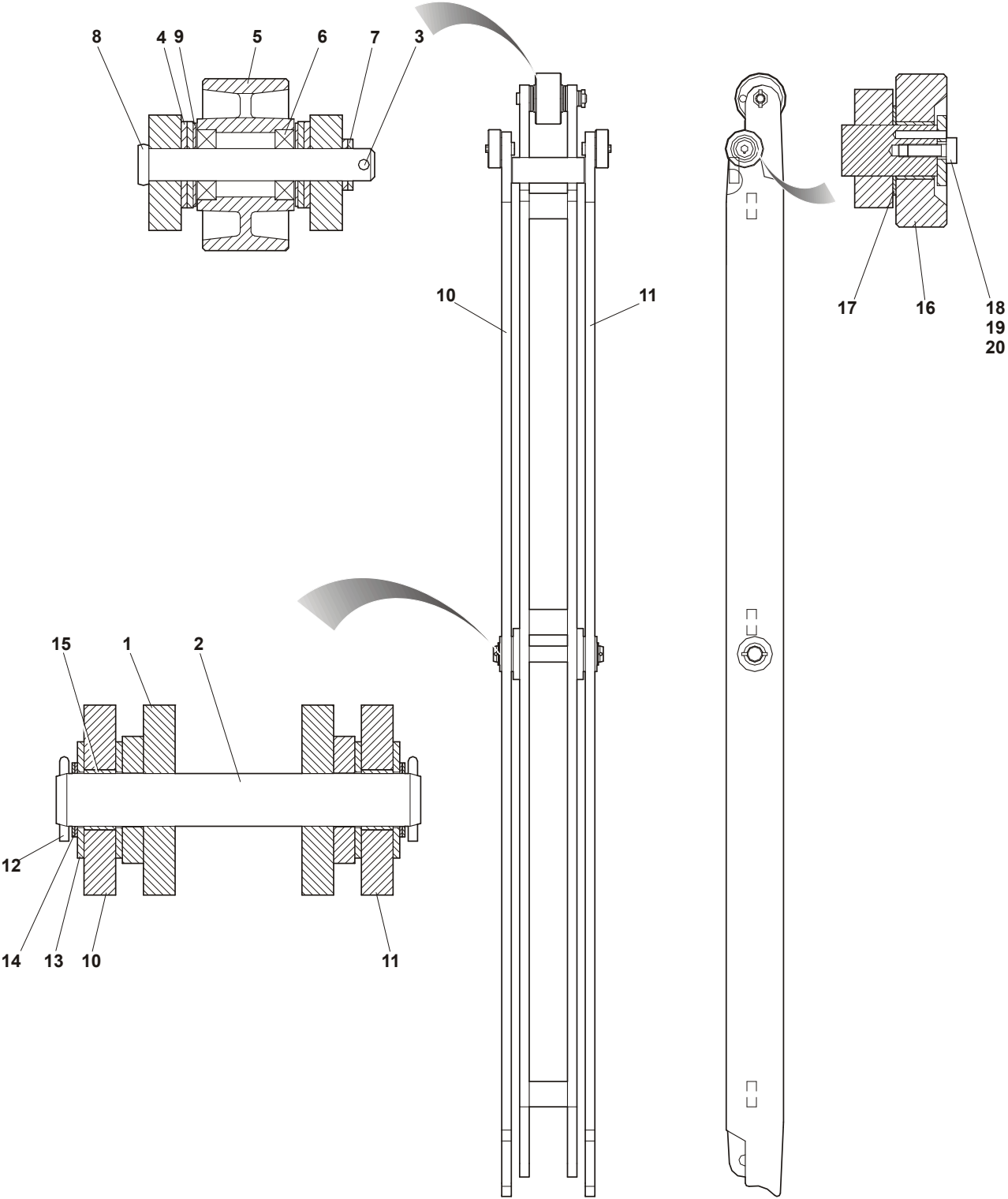


Figure 63 : Leg Assembly - 4, & 5,000 lb. Cap. - 84x96" Deck Length

**Leg Assembly - 4, & 5,000 lb. Cap. - 84x96" Deck**

Item	Qty	Part No	General Description	Specific Description
-	-	796-292	Leg Assembly (85-3/4"x4")	4,000/84X96"
-	-	796-718	Leg Assembly (109-3/4"x4-1/2")	5,000/84X96"
1*	1	796-291	Leg Assy, Inner 85-3/4"x4-1/2"	4,000/84X96"
1*	1	796-719	Leg Assy, Inner 82-3/4"x4-1/2"	5,000/84X96"
2	1	103-935	Pin, Centre (8-5/8"x1-1/4"Dia)	4,&5,000/84X96"
3	1	013-011	Spring Pin 1/4" x 1-3/8"	4,&5,000/84X96"
4	4	012-214	Washer, Flat - 3/4" BS	4,&5,000/84X96"
5	1	100-103	Wheel Cast Steel (4"x2")	4,&5,000/84X96"
6	2	018-500	Bearing, 3/4"x1-5/8"x7/16"	4,&5,000/84X96"
7	2	105-880	Washer Spacer- 3/4"x1-3/16"x1/8"	4,&5,000/84X96"
8	1	106-170	Axle, Load Roller (5-1/4"Lg)	4,&5,000/84X96"
9	2	105-879	Washer, 3/4" x 1-3/16" x 1/16"	4,&5,000/84X96"
10	1	796-290	Leg Assy, Left (82-3/4"x4")	4,000/84X96"
10	1	796-720	Leg Assy, Left (82-3/4"x4")	5,000/84X96"
11	1	796-289	Leg Ass'y, Right (82-3/4"x4-1/2")	4,000/84X96"
11	1	796-721	Leg Ass'y, Right (82-3/4"x4-1/2")	5,000/84X96"
12	2	013-082	Cotter Pin 1/4" x 2"	4,&5,000/84X96"
13	4	012-216	Washer, Flat Plain 1-5/16" Bolt Size	4,&5,000/84X96"
14	4	105-882	Washer, Spacer (1-3/4" Dia)	4,&5,000/84X96"
15	2	018-025	Bushing 1-1/4" X 3/4LG	4,&5,000/84X96"
16	2	105-225	Roller C/W Bushing 018-051	4,&5,000/84X96"
17	2	106-389	Washer,Spr 1-3/4"ODx1"IDx1/16"Thk	4,&5,000/84X96"
18	2	107-038	Washer	4,&5,000/84X96"
19	2	010-037	Capscrew, Hex Hd. 5/16"-18 X 3/4"	4,&5,000/84X96"
20	2	013-005	Spring Pin 5/32"x1"LG	4,&5,000/84X96"

\* - INDENTED SUB-ASSEMBLY – SHOWN ON SAME PAGE

\*\* - SUBASSEMBLY SHOWN ON SEPARATE PAGE

**11.3.2 Cylinder Assembly - 4, & 5,000 lb. Cap. - 84x96" Deck**

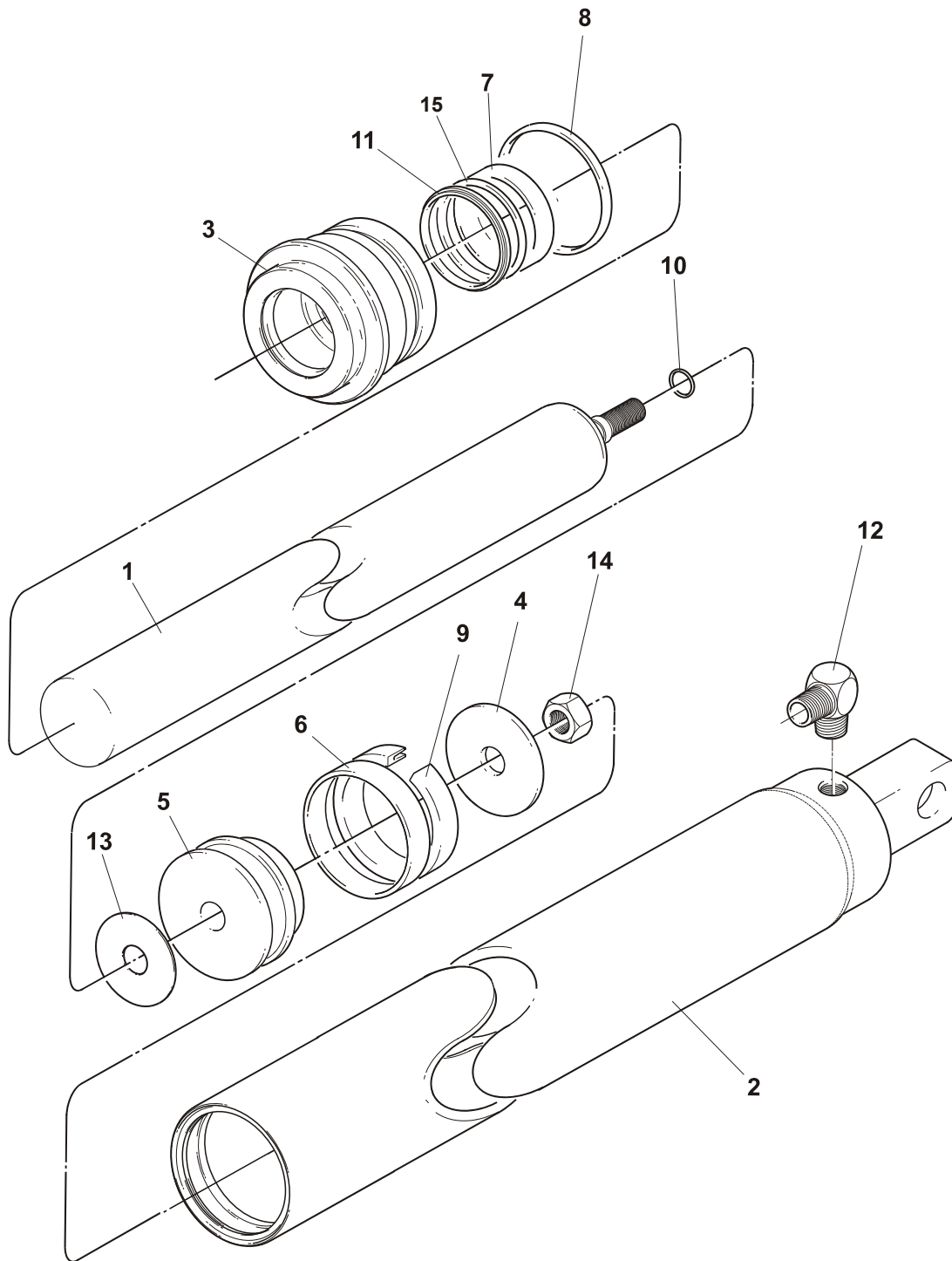


Figure 64 : Cylinder Assembly - 4, & 5,000 lb. Cap. - 84x96" Deck

**Cylinder Assembly - 4, & 5,000 lb. Cap. - 84x96" Deck**

Item	Qty	Part No	General Description	Specific Description
-	-	<b>786-720</b>	<b>Cylinder Ass'y (Left) [2-1/2"Dia]</b>	<b>4,&amp;5,000/84X96"</b>
-	-	<b>786-721</b>	<b>Cylinder Ass'y (Right)[2-1/2"Dia]</b>	<b>4,&amp;5,000/84X96"</b>
1	1	118-386	Ram - Semi Portable Table	4,&5,000/84X96"
2	1	783-539	Housing Weldment (Left) [2-1/2"Dia]	4,&5,000/84X96"
2	1	783-533	Housing Weldment (Right) [2-1/2"Dia]	4,&5,000/84X96"
3	1	118-387	Headnut, 2-1/2" Dia Cyl (1-1/2" Dia Rd)	4,&5,000/84X96"
4	1	114-977	Washer, Piston (2-1/2" Dia)	4,&5,000/84X96"
5	1	113-522	Piston Use 113-629 Washer 2-1/2" Dia	4,&5,000/84X96"
6●	1	036-153	Wear Ring - 2-1/2" Wide Piston	4,&5,000/84X96"
7●	1	036-143	Rod Wear Ring	4,&5,000/84X96"
8●	1	036-133	O-Ring, 2-1/2"ODx2-1/4"ID	4,&5,000/84X96"
9●	1	036-119	U-Cup, Seal 1.875" x 2.5" x .5"	4,&5,000/84X96"
10●	1	036-108	O-Ring, 3/4"OD x 5/8"ID x 1/16"	4,&5,000/84X96"
11●	1	036-098	Wiper, 1-3/4"ODx1-1/2"	4,&5,000/84X96"
12	1	034-500	Fitting, 2103-6-6	4,&5,000/84X96"
13●	1	118-368	Gasket, 2" Dia Cyl	4,&5,000/84X96"
14	1	011-530	Nut, Hex Jam, 3/4"-10	4,&5,000/84X96"
15●	1	036-180	O-Ring (Reciprocating)	4,&5,000/84X96"
-	-	<b>783-536</b>	<b>Kit, Seal - Includes Items marked (●)</b>	<b>4,&amp;5,000/84X96"</b>

**11.3.3 Crosshead Assembly - 4, & 5,000 lb. Cap. - 84x96" Deck**

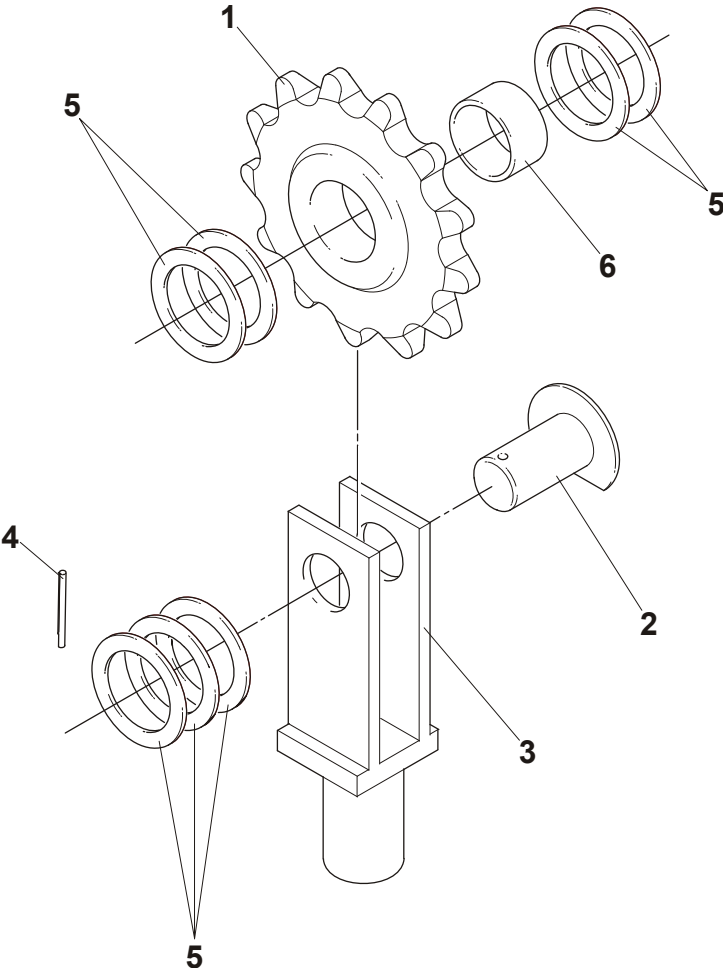


Figure 65 : Crosshead Assembly - 4, & 5,000 lb. Cap. - 84x96" Deck Length



**Crosshead Assembly - 4, & 5,000 lb. Cap. - 84x96" Deck**

<b>Item</b>	<b>Qty</b>	<b>Part No</b>	<b>General Description</b>	<b>Specific Description</b>
-	-	<b>797-459</b>	<b>Crosshead Assembly (3"X3")</b>	<b>4,&amp;5,000/84X96"</b>
1	1	105-645	Sprocket (Ramtop) Assembly	4,&5,000/84X96"
2	1	797-451	Pin Assembly (3"X1-1/4")	4,&5,000/84X96"
3	1	797-504	Crosshead Weldment (1-1/2"Ram)	4,&5,000/84X96"
4	1	013-012	Spring Pin - 1/4" X 2"	4,&5,000/84X96"
5	8	105-882	Washer-Spacer - (1-3/4" Dia)	4,&5,000/84X96"
6	1	018-027	Bushing	4,&5,000/84X96"

**11.4 General Assembly - 4, & 5,000 lb. Cap. - 84x120" Deck**

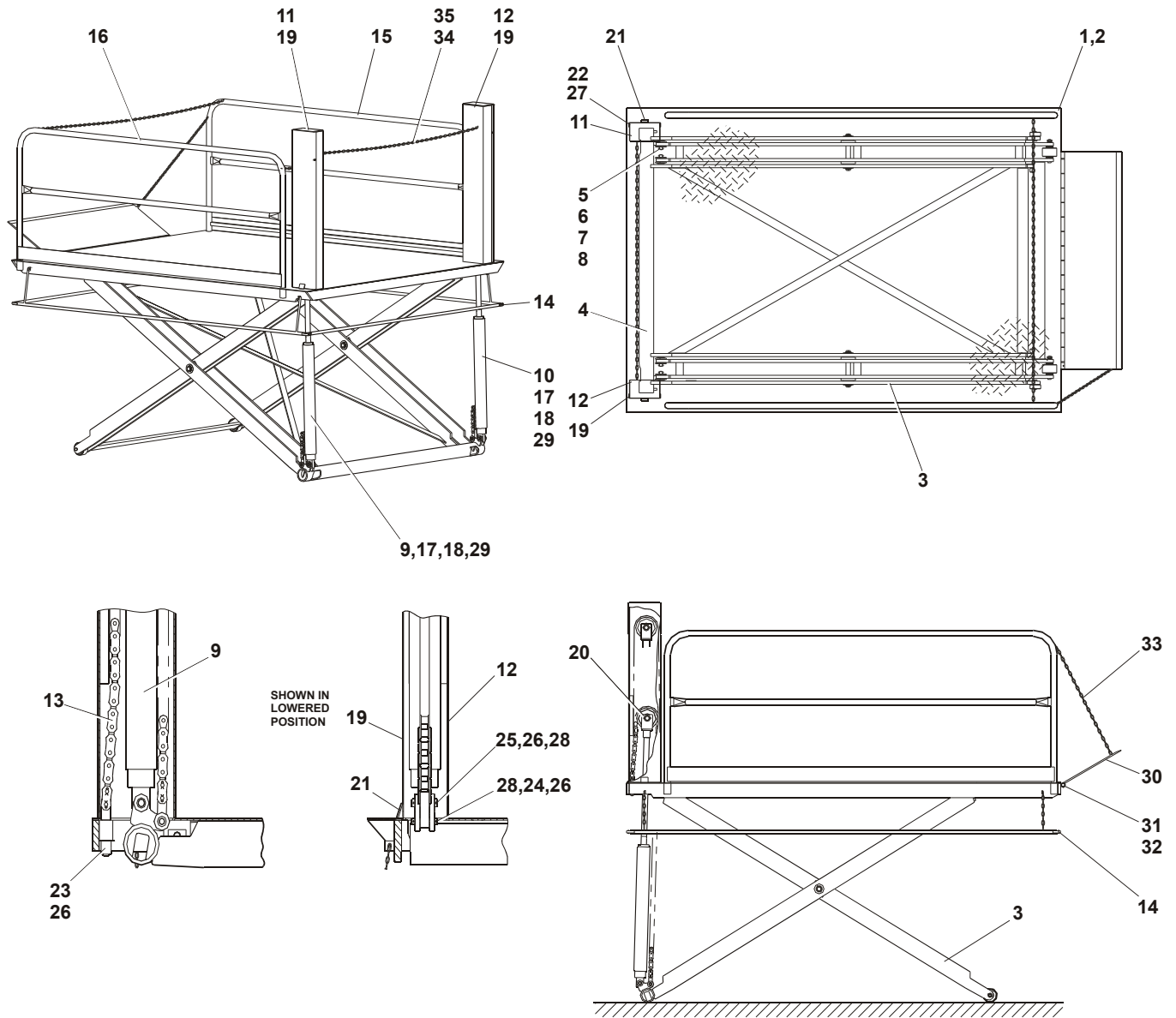


Figure 66 : 4, & 5,000 lb. Cap. - 84x120" Deck Length

**General Assembly - 4, & 5,000 lb. Cap. - 84x120" Deck**

Item	Qty	Part No	General Description	Specific Description
			<b>Semi-Portable Elevating Dock</b>	<b>REF. DWG. - 796-100</b>
<b>1*</b>	<b>1</b>	<b>796-112</b>	<b>Deck &amp; Leg Ass'y (84"x120")</b>	<b>4,000/84X120"</b>
<b>1*</b>	<b>1</b>	<b>796-109</b>	<b>Deck &amp; Leg Ass'y (84"x120")</b>	<b>5,000/84X120"</b>
2	1	796-113	Deck Assembly (84"x120")	4, & 5,000/84X120"
<b>3*</b>	<b>2</b>	<b>796-114</b>	<b>Leg Assembly (109-3/4"x4-1/2")</b>	<b>4,000/84X120"</b>
<b>3*</b>	<b>2</b>	<b>796-111</b>	<b>Leg Assembly (109-3/4"x4-1/2")</b>	<b>5,000/84X120"</b>
4	1	796-780	Torque Bar	4, & 5,000/84X120"
5	4	797-445	Pin Weldment (2-1/8"Lg)	4, & 5,000/84X120"
6	4	013-012	Spring Pin 1/4" x 2"	4, & 5,000/84X120"
7	12	012-214	Washer, Flat Plain - 3/4" BS	4, & 5,000/84X120"
8	4	018-001	Bushing - 3/4" Lg	4,000/84X120"
8	4	018-010	Bushing - 1" Lg	5,000/84X120"
<b>9**</b>	<b>1</b>	<b>786-720</b>	<b>Cylinder Ass'y (Left) [2-1/2"Dia]</b>	<b>4,000/84X120"</b>
<b>9**</b>	<b>1</b>	<b>786-657</b>	<b>Cylinder Ass'y (Left) [3"Dia]</b>	<b>5,000/84X120"</b>
<b>10**</b>	<b>1</b>	<b>786-721</b>	<b>Cylinder Ass'y (Right)[2-1/2"Dia]</b>	<b>4,000/84X120"</b>
<b>10**</b>	<b>1</b>	<b>786-658</b>	<b>Cylinder Ass'y (Right)[3"Dia]</b>	<b>5,000/84X120"</b>
11	1	797-267	Post, Cylinder Weld (Left)	4, & 5,000/84X120"
12	1	797-248	Post, Cylinder Weld (Right)	4, & 5,000/84X120"
13	2	796-946	Chain Assembly (93-3/4"Lg)	4, & 5,000/84X120"
14	1	302-5000	Bar, Safety Indicator	4, & 5,000/84X120"
15	1	312-5080-6	Guard Rail, Right Side 120"Deck	4, & 5,000/84X120"
16	1	312-5081-6	Guard Rail, Left Side 120"Deck	4, & 5,000/84X120"
17	2	034-599	Fitting Elbow Forged #6MP-4MP-90°	4, & 5,000/84X120"
18	2	033-661	Velocity Fuse - 5 GPM	4, & 5,000/84X120"
19	2	103-806	Cover, Post (49-1/2"x8-5/8"ID)	4, & 5,000/84X120"
<b>20**</b>	<b>2</b>	<b>797-459</b>	<b>Crosshead Assembly (3"x3")</b>	<b>4, &amp; 5,000/84X120"</b>
21	2	103-744	Spacer	4, & 5,000/84X120"
22	4	012-202	Washer, Lock - 1/4" Helical	4, & 5,000/84X120"
23	2	011-535	Nut, Hex - 3/4"-10 Nylon Insert	4, & 5,000/84X120"
24	2	103-214	Pin, Chain Link Block	4, & 5,000/84X120"
25	2	103-215	Pin, Cylinder Pivot	4, & 5,000/84X120"
26	10	105-879	Washer - 3/4" x 1-3/16" x 1/16"	4, & 5,000/84X120"
27	4	010-072	Capscrew, Hex Hd. - 1/4-20 x 1/2"	4, & 5,000/84X120"
28	8	013-024	Cotter Pin-5/32"x1-1/4"	4, & 5,000/84X120"
29	2	034-044	Fitting, 6-6	4, & 5,000/84X120"
30	1	302-5002	Lip Assy,60"(18"Lg,4&5#)1pc Lp	4, & 5,000/84X120"
31	1	121-616-1	Bar For Lip Hinge (60"LG)	4, & 5,000/84X120"
32	1	013-005	Spring Pin 5/32"x1"Lg	4, & 5,000/84X120"
33	1	091-023-0600	Chain (60"LG) 3/16"	4, & 5,000/84X120"
34	1	091-023-0700	Chain 1/8"Galvanized) (70"LG)	4, & 5,000/84X120"
35	2	R3-19203	Hook Snap 4"LG	4, & 5,000/84X120"
36	1	797-640	Cradle Plate Assy R.H,	4, & 5,000/84X120"
37	1	796-926	Cradle Plate Assy L.H. (Ed)	4, & 5,000/84X120"
38	2	105-487	Wear Plate	4, & 5,000/84X120"
39	1	797-125	Hose Ass'y #6 Hose (12"LG)	4, & 5,000/84X120"
40	1	320-5003	Hose Assy, #6 HP 43"Lg (Str.- 45°)	4, & 5,000/84X120"
41	1	300-5000-38	Hose, #6 HP(144"LG) Str. Swivel(2)	4, & 5,000/84X120"
42	2GA	039-066	Paint, Blue (Fast Dry Enamel)	4, & 5,000/84X120"

\* - INDENTED SUB-ASSEMBLY – SHOWN ON SAME PAGE

\*\* - SUBASSEMBLY SHOWN ON SEPARATE PAGE

11.4.1 Leg Assembly - 4, & 5,000 lb. Cap. - 84x120" Deck

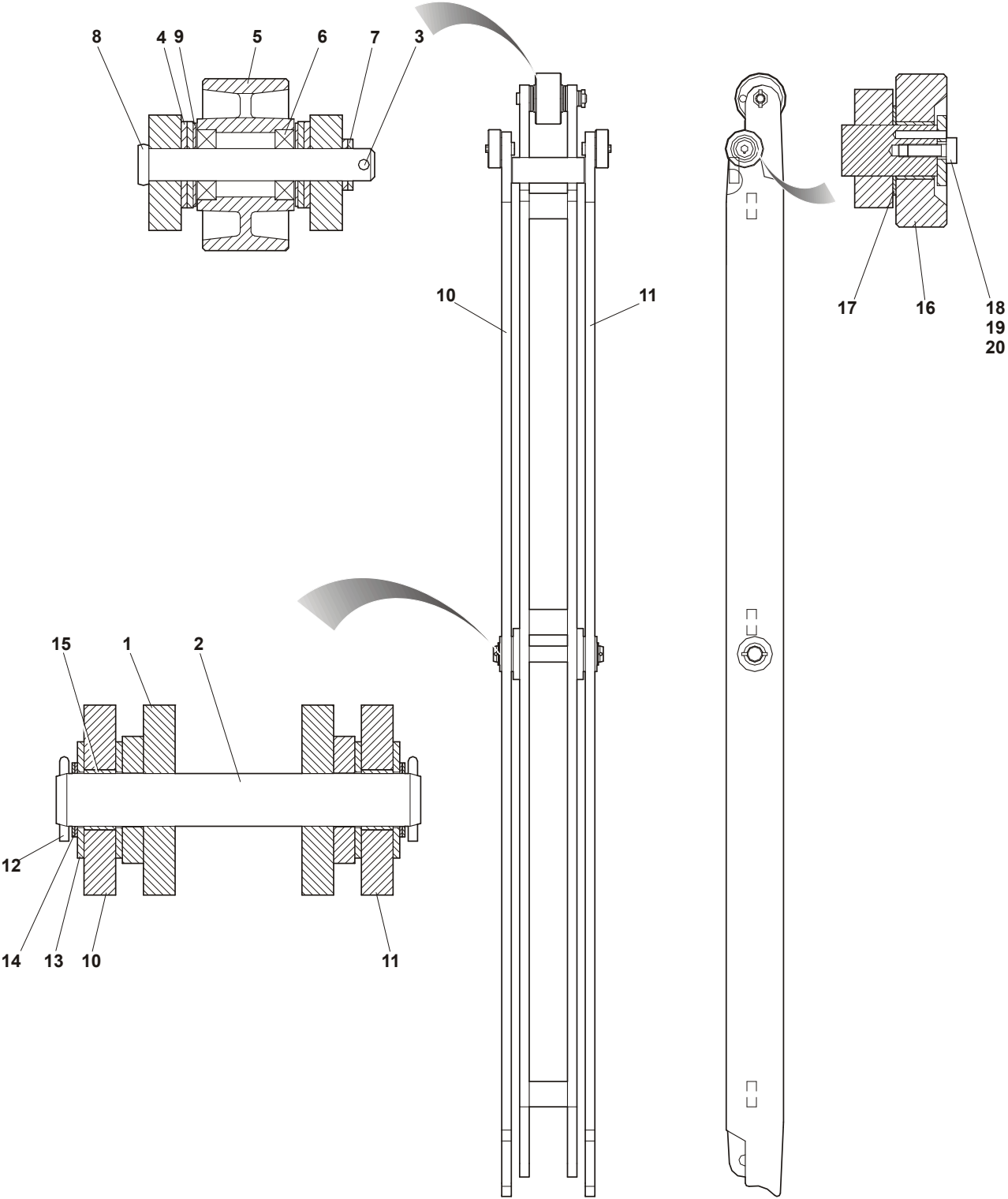


Figure 67 : Leg Assembly - 4, & 5,000 lb. Cap. - 84x120" Deck Length

**Leg Assembly - 4, & 5,000 lb. Cap. - 84x120" Deck**

Item	Qty	Part No	General Description	Specific Description
-	-	796-114	Leg Assembly (109-3/4"x4-1/2")	4,000/84X120"
-	-	796-111	Leg Assembly (109-3/4"x4-1/2")	5,000/84X120"
1*	1	796-106	Leg Assy, Inner 109-3/4"x4-1/2"	4,000/84X120"
1*	1	796-105	Leg Assy, Inner 109-3/4"x5"	5,000/84X120"
2	1	103-935	Pin, Center (8-5/8"x1-1/4"Dia)	4,000/84X120"
2	1	103-934	Pin, Center	5,000/84X120"
3	1	013-011	Spring Pin 1/4"x1-3/8"	4, & 5,000/84X120"
4	4	012-214	Washer, Flat - 3/4" Bs	4, & 5,000/84X120"
5	1	100-103	Wheel Cast Steel (4"x2")	4, & 5,000/84X120"
6	2	018-500	Bearing, 3/4"x1-5/8"x7/16"	4, & 5,000/84X120"
7	2	105-880	Washer Spacer- 3/4"x1-3/16"x1/8"	4, & 5,000/84X120"
8	1	106-170	Axle, Load Roller (5-1/4"Lg)	4,000/84X120"
8	1	313-0015	Axle, Load Roller 5-3/4"x3/4"	5,000/84X120"
9	2	105-879	Washer, 3/4"x1-3/16"x1/16"	4, & 5,000/84X120"
10	1	796-107	Leg Assy, Left (109-3/4"x4-1/2")	4,000/84X120"
10	1	796-104	Leg Assy, Left (106-3/4"x4-1/2")	5,000/84X120"
11	1	796-108	Leg Ass'y, Right (109-3/4"x4-1/2")	4,000/84X120"
11	1	796-103	Leg Ass'y, Right (106-3/4"x4-1/2")	5,000/84X120"
12	2	013-082	Cotter Pin 1/4" x 2"	4, & 5,000/84X120"
13	4	012-216	Washer, Flat Plain 1-5/16" Bolt Size	4, & 5,000/84X120"
14	4	105-882	Washer, Spacer (1-3/4" Dia)	4, & 5,000/84X120"
15	2	018-025	Bushing 1-1/4" x 3/4lg	4, & 5,000/84X120"
16	2	105-225	Roller C/W Bushing 018-051	4, & 5,000/84X120"
17	2	106-389	Washer, Spr 1-1/4"ODx1"IDx1/16"Thk	4, & 5,000/84X120"
18	2	107-038	Washer	4, & 5,000/84X120"
19	2	010-037	Capscrew, Hex Hd. 5/16"-18 x 3/4"	4, & 5,000/84X120"
20	2	013-005	Spring Pin 5/32"x1"Lg	4, & 5,000/84X120"

\* - INDENTED SUB-ASSEMBLY – SHOWN ON SAME PAGE

\*\* - SUBASSEMBLY SHOWN ON SEPARATE PAGE

11.4.2 Cylinder Assembly - 4, & 5,000 lb. Cap. - 84x120" Deck

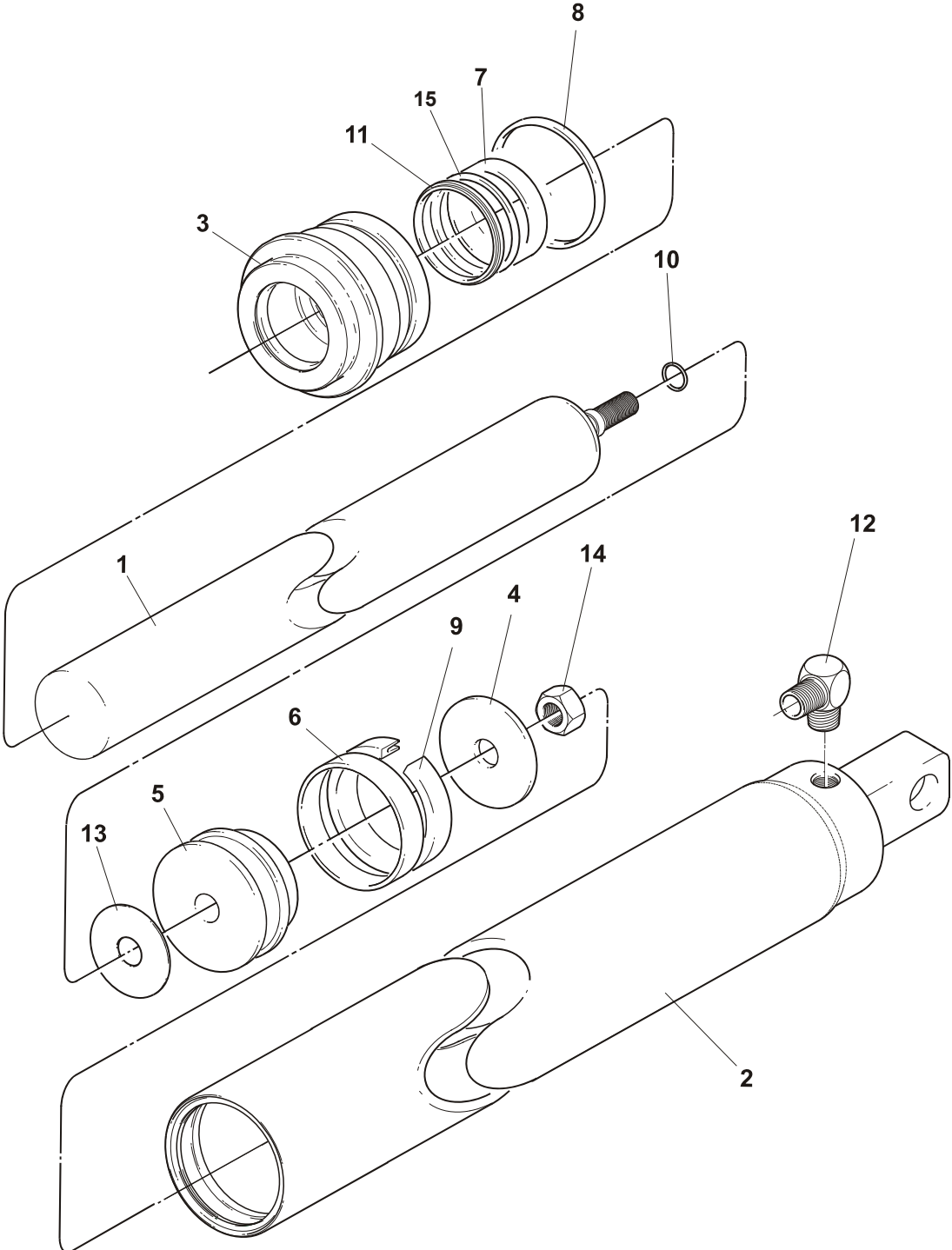


Figure 68 : Cylinder Assembly - 4, & 5,000 lb. Cap. - 84x120" Deck

**Cylinder Assembly - 4, & 5,000 lb. Cap. - 84x120" Deck**

Item	Qty	Part No	General Description	Specific Description
-	-	<b>786-720</b>	<b>Cylinder Ass'y (Left) [2-1/2"Dia]</b>	<b>4,000/84X120"</b>
-	-	<b>786-657</b>	<b>Cylinder Ass'y (Left) [3"Dia]</b>	<b>5,000/84X120"</b>
-	-	<b>786-721</b>	<b>Cylinder Ass'y (Right)[2-1/2"Dia]</b>	<b>4,000/84X120"</b>
-	-	<b>786-658</b>	<b>Cylinder Ass'y (Right)[3"Dia]</b>	<b>5,000/84X120"</b>
1	1	118-386	Ram - Semi Portable Table	4, & 5,000/84X120"
2	1	783-539	Housing Weldment (Left) [2-1/2"Dia]	4,000/84X120"
2	1	783-533	Housing Weldment (Right) [2-1/2"Dia]	4,000/84X120"
2	1	783-537	Housing Weldment (Left) [3"Dia]	5,000/84X120"
2	1	783-532	Housing Weldment (Right) [3"Dia]	5,000/84X120"
3	1	118-387	Headnut, 2-1/2" Dia Cyl (1-1/2" Dia Rd)	4,000/84X120"
3	1	118-389	Headnut, 3" Dia Cyl (1-1/2" Dia Rd)	5,000/84X120"
4	1	114-977	Washer, Piston (2-1/2" Dia)	4,000/84X120"
4	1	114-978	Washer, Piston (3" Dia)	5,000/84X120"
5	1	113-522	Piston Use 113-629 Washer 2-1/2" Dia	4,000/84X120"
5	1	114-640	Piston 3" Dia Cyl.	5,000/84X120"
6●	1	036-153	Wear Ring - 2-1/2" Wide Piston	4,000/84X120"
6●	1	036-154	Wear Ring - 3" Wide Piston	5,000/84X120"
7●	1	036-143	Rod Wear Ring	4, & 5,000/84X120"
8●	1	036-133	O-Ring, 2-1/2"ODx2-1/4"ID	4,000/84X120"
8●	1	036-132	O-Ring, 3"ODx2-1/4"ID	5,000/84X120"
9●	1	036-119	U-Cup, Seal 1.875" x 2.5" x .5"	4,000/84X120"
9●	1	036-112	U-Cup, Seal - 3" x 2-3/8" x 1/2"	5,000/84X120"
10●	1	036-108	O-Ring, 3/4"OD x 5/8"ID x 1/16"	4, & 5,000/84X120"
11●	1	036-098	Wiper, 1-3/4ODx1-1/2	4, & 5,000/84X120"
12	1	034-500	Fitting, 2103-6-6	4, & 5,000/84X120"
13●	1	118-368	Gasket, 2" Dia Cyl	4,000/84X120"
13●	1	117-993	Gasket	5,000/84X120"
14	1	011-530	Nut, Hex Jam, 3/4"-10	4, & 5,000/84X120"
15	1	038-180	O-Ring (Reciprocating)	4, & 5,000/84X120"
-	-	<b>783-536</b>	<b>Kit, Seal - Includes Items marked (●)</b>	<b>4,000/84X120"</b>
-	-	<b>783-538</b>	<b>Kit, Seal - Includes Items marked (●)</b>	<b>5,000/84X120"</b>

**11.4.3 Crosshead Assembly - 4, & 5,000 lb. Cap. - 84x120" Deck**

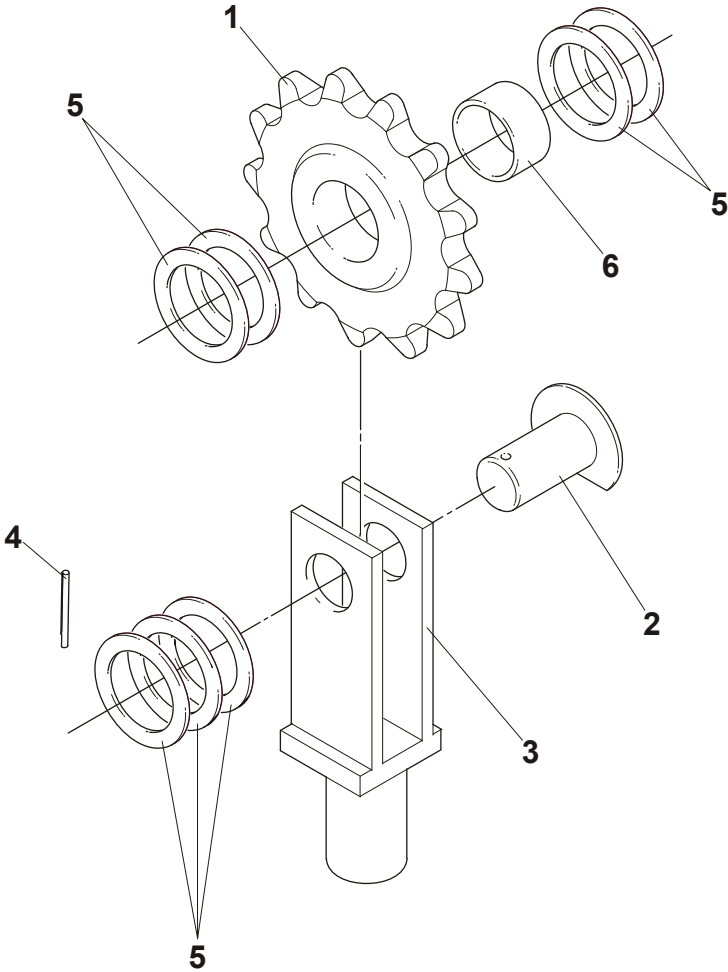


Figure 69 : Crosshead Assembly - 4, & 5,000 lb. Cap. - 84x120" Deck Length



**Crosshead Assembly - 4, & 5,000 lb. Cap. - 84x120" Deck**

<b>Item</b>	<b>Qty</b>	<b>Part No</b>	<b>General Description</b>	<b>Specific Description</b>
-	-	<b>797-459</b>	<b>Crosshead Assembly (3"x3")</b>	<b>4,&amp; 5,000/84X120"</b>
1	1	105-645	Sprocket (Ramtop) Assembly	4,& 5,000/84X120"
2	1	797-451	Pin Assembly (3"x1-1/4")	4,& 5,000/84X120"
3	1	797-504	Crosshead Weldment (1-1/2"Ram)	4,& 5,000/84X120"
4	1	013-012	Spring Pin - 1/4" x 2"	4,& 5,000/84X120"
5	8	105-882	Washer-Spacer - (1-3/4" Dia)	4,& 5,000/84X120"
6	1	018-027	Bushing	4,& 5,000/84X120"

**11.5 General Assembly - 4, & 5,000 lb. Cap. - 96x120" Deck**

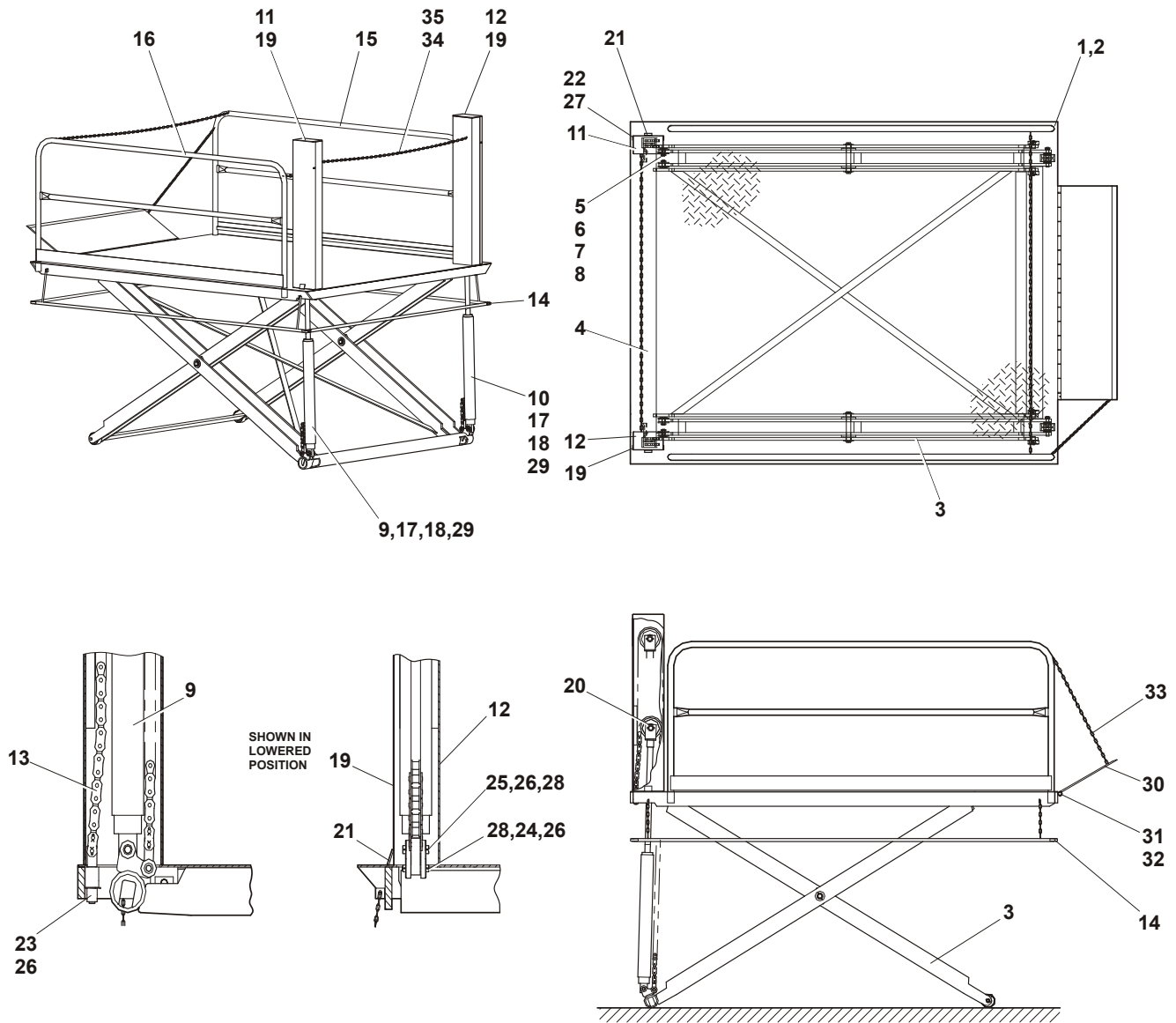


Figure 70 : 4, & 5,000 lb. Cap. - 96x120" Deck Length

Item	Qty	Part No	General Description	Specific Description
			<b>Semi-Portable Elevating Dock</b>	<b>REF DWG. 310-5373</b>
1*	1	313-5194	<b>Deck &amp; Leg Ass'y (96"x120")</b>	<b>4,000/96X120"</b>
1*	1	313-5195	<b>Deck &amp; Leg Ass'y (96"x120")</b>	<b>5,000/96X120"</b>
2	1	312-5242	Deck Assembly (96"x120")	4,& 5,000/96X120"
3*	2	796-114	<b>Leg Assembly (109-3/4"x4-1/2")</b>	<b>4,000/96X120"</b>
3*	2	796-111	<b>Leg Assembly (109-3/4"x4-1/2")</b>	<b>5,000/96X120"</b>
4	1	313-5193	Torque Bar	4,& 5,000/96X120"
5	4	797-445	Pin Weldment (2-1/8"Lg)	4,& 5,000/96X120"
6	4	013-012	Spring Pin 1/4" x 2"	4,& 5,000/96X120"
7	12	012-214	Washer, Flat Plain - 3/4" BS	4,& 5,000/96X120"
8	4	018-001	Bushing - 3/4" LG	4,000/96X120"
8	4	018-010	Bushing - 1" LG	5,000/96X120"
9**	1	786-720	<b>Cylinder Ass'y (Left) [2-1/2"Dia]</b>	4,000/96X120"
9**	1	786-657	<b>Cylinder Ass'y (Left) [3"Dia]</b>	5,000/96X120"
10**	1	786-721	<b>Cylinder Ass'y (Right)[2-1/2"Dia]</b>	4,000/96X120"
10**	1	786-658	<b>Cylinder Ass'y (Right)[3"Dia]</b>	5,000/96X120"
11	1	797-267	Post, Cylinder Weld (Left)	4,& 5,000/96X120"
12	1	797-248	Post, Cylinder Weld (Right)	4,& 5,000/96X120"
13	2	796-946	Chain Assembly (93-3/4"LG)	4,& 5,000/96X120"
14	1	302-5000-96120	Bar, Safety Indicator	4,& 5,000/96X120"
15	1	312-5080-6	Guard Rail, Right Side 120"Deck	4,& 5,000/96X120"
16	1	312-5081-6	Guard Rail, Left Side 120"Deck	4,& 5,000/96X120"
17	2	034-599	Fitting Elbow Forged #6MP-4MP-90	4,& 5,000/96X120"
18	2	033-661	Velocity Fuse - 5 GPM	4,& 5,000/96X120"
19	2	103-806	Cover, Post (49-1/2"x8-5/8"ID)	4,& 5,000/96X120"
20**	2	797-459	<b>Crosshead Assembly (3"X3")</b>	<b>4,&amp; 5,000/96X120"</b>
21	2	103-744	Spacer	4,& 5,000/96X120"
22	4	012-202	Washer, Lock - 1/4" Helical	4,& 5,000/96X120"
23	2	011-535	Nut, Hex - 3/4"-10 Nylon Insert	4,& 5,000/96X120"
24	2	103-214	Pin, Chain Link Block	4,& 5,000/96X120"
25	2	103-215	Pin, Cylinder Pivot	4,& 5,000/96X120"
26	10	105-879	Washer - 3/4" x 1-3/16" x 1/16"	4,& 5,000/96X120"
27	4	010-072	Capscrew, Hex Hd. - 1/4-20 x 1/2"	4,& 5,000/96X120"
28	8	013-024	Cotter Pin-5/32" x 1-1/4"	4,& 5,000/96X120"
29	2	034-044	Fitting, 6-6	4,& 5,000/96X120"
30	1	302-5002	Lip Assy,60"(18"Lg,4&5#)1pc Lp	4,& 5,000/96X120"
31	1	121-616-1	Bar For Lip Hinge (60"Lg)	4,& 5,000/96X120"
32	1	013-005	Spring Pin 5/32"x1"Lg	4,& 5,000/96X120"
33	1	091-023-0600	Chain (60"Lg) 3/16"	4,& 5,000/96X120"
34	1	091-023-0580	Chain 1/8"Galvanized) (58"LG)	4,000/96X120"
34	1	091-023-0820	Chain 1/8"Galvanized) (82"LG)	5,000/96X120"
35	2	R3-19203	Hook Snap 4"LG	4,& 5,000/96X120"
36	1	797-640	Cradle Plate Assy R.H,	4,& 5,000/96X120"
37	1	796-926	Cradle Plate Assy L.H.	4,& 5,000/96X120"
38	2	105-487	Wear Plate	4,& 5,000/96X120"
39	1	797-125	Hose Ass'y #6 Hose (12"LG)	4,& 5,000/96X120"
40	1	795-826	Hose Assy, #6 60"LG	4,000/96X120"
40	1	795-846	Hose Assy, #6 60"LG	5,000/96X120"
41	1	300-5000-38	Hose, #6 HP(144"LG) Str. Swivel(2)	4,& 5,000/96X120"
42	2GA	039-066	Paint, Blue (Fast Dry Enamel)	4,& 5,000/96X120"

\* - INDENTED SUB-ASSEMBLY – SHOWN ON SAME PAGE

\*\* - SUBASSEMBLY - SHOWN ON SEPARATE PAGE

Continued...

**11.5.1 Leg Assembly - 4, & 5,000 lb. Cap. - 96x120" Deck**

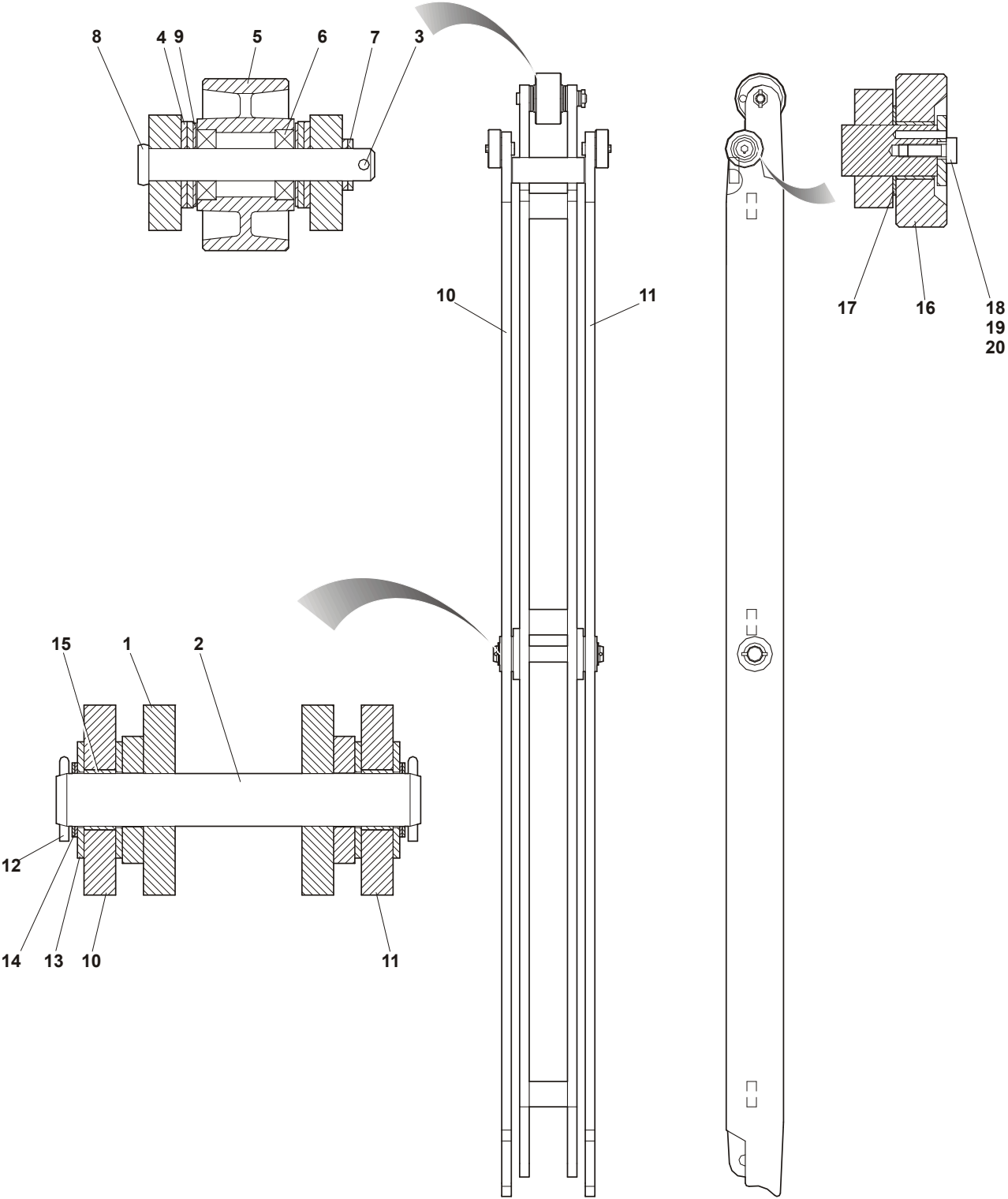


Figure 71 : Leg Assembly - 4, & 5,000 lb. Cap. - 96x120" Deck Length

**Leg Assembly - 4, & 5,000 lb. Cap. - 96x120" Deck**

Item	Qty	Part No	General Description	Specific Description
-	-	796-114	Leg Assembly (109-3/4"x4-1/2")	4,000/96X120"
-	-	796-111	Leg Assembly (109-3/4"x4-1/2")	5,000/96X120"
1	1	796-106	Leg Assy, Inner 109-3/4"x4-1/2"	4,000/96X120"
1	1	796-105	Leg Assy, Inner 109-3/4"x5"	5,000/96X120"
2	1	103-935	Pin, Center (8-5/8"x1-1/4"Dia)	4,000/96X120"
2	1	103-934	Pin, Center	5,000/96X120"
3	1	013-011	Spring Pin 1/4"x1-3/8"	4, & 5,000/96X120"
4	4	012-214	Washer, Flat - 3/4" BS	4, & 5,000/96X120"
5	1	100-103	Wheel Cast Steel (4"x2")	4, & 5,000/96X120"
6	2	018-500	Bearing, 3/4"x1-5/8"x7/16"	4, & 5,000/96X120"
7	2	105-880	Washer Spacer- 3/4"x1-3/16"x1/8"	4, & 5,000/96X120"
8	1	106-170	Axle, Load Roller (5-1/4"Lg)	4,000/96X120"
8	1	313-0015	Axle, Load Roller 5-3/4"x3/4"	5,000/96X120"
9	2	105-879	Washer, 3/4"x1-3/16"x1/16"	4, & 5,000/96X120"
10	1	796-107	Leg Assy, Left (109-3/4"x4-1/2")	4,000/96X120"
10	1	796-104	Leg Assy, Left (106-3/4"x4-1/2")	5,000/96X120"
11	1	796-108	Leg Ass'y, Right (109-3/4"x4-1/2")	4,000/96X120"
11	1	796-103	Leg Ass'y, Right (106-3/4"x4-1/2")	5,000/96X120"
12	2	013-082	Cotter Pin 1/4"x2"	4, & 5,000/96X120"
13	4	012-216	Washer, Flat Plain 1-5/16" Bolt Size	4, & 5,000/96X120"
14	4	105-882	Washer, Spacer (1-3/4" Dia)	4, & 5,000/96X120"
15	2	018-025	Bushing 1-1/4"x3/4LG	4, & 5,000/96X120"
16	2	105-225	Roller C/W Bushing 018-051	4, & 5,000/96X120"
17	2	106-389	Washer, Spr 1-3/4"ODx1"IDx1/16"Thk	4, & 5,000/96X120"
18	2	107-038	Washer	4, & 5,000/96X120"
19	2	010-037	Capscrew, Hex Hd. 5/16"-18 X 3/4"	4, & 5,000/96X120"
20	2	013-005	Spring Pin 5/32"X1"Lg	4, & 5,000/96X120"

11.5.2 Cylinder Assembly - 4, & 5,000 lb. Cap. - 96x120" Deck

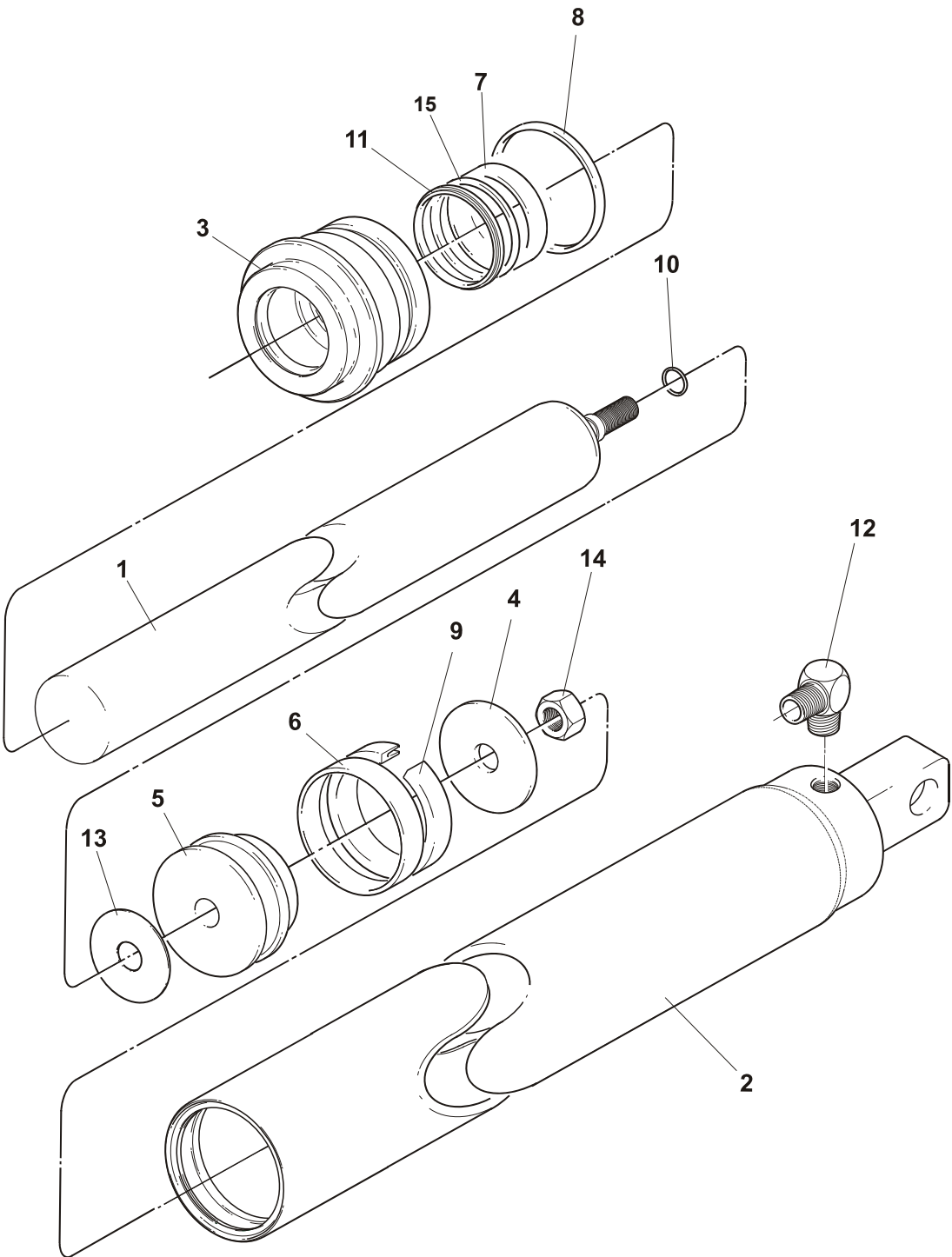


Figure 72 : Cylinder Assembly - 4, & 5,000 lb. Cap. - 84x120" Deck

**11.5.3 Cylinder Assembly - 4, & 5,000 lb. Cap. - 96x120" Deck**

Item	Qty	Part No	General Description	Specific Description
-	-	<b>786-720</b>	<b>Cylinder Ass'y (Left) [2-1/2"Dia]</b>	<b>4,000/96X120"</b>
-	-	<b>786-657</b>	<b>Cylinder Ass'y (Left) [3"Dia]</b>	<b>5,000/96X120"</b>
-	-	<b>786-721</b>	<b>Cylinder Ass'y (Right)[2-1/2"Dia]</b>	<b>4,000/96X120"</b>
-	-	<b>786-658</b>	<b>Cylinder Ass'y (Right)[3"Dia]</b>	<b>5,000/96X120"</b>
1	1	118-386	Ram - Semi Portable Table	4, & 5,000/96X120"
2	1	783-539	Housing Weldment (Left) [2-1/2"Dia]	4,000/96X120"
2	1	783-533	Housing Weldment (Right) [2-1/2"Dia]	4,000/96X120"
2	1	783-537	Housing Weldment (Left) [3"Dia]	5,000/96X120"
2	1	783-532	Housing Weldment (Right) [3"Dia]	5,000/96X120"
3	1	118-387	Headnut, 2-1/2" Dia Cyl (1-1/2" Dia Rd)	4,000/96X120"
3	1	118-389	Headnut, 3" Dia Cyl (1-1/2" Dia Rd)	5,000/96X120"
4	1	114-977	Washer, Piston (2-1/2" Dia)	4,000/96X120"
4	1	114-978	Washer, Piston (3" Dia)	5,000/96X120"
5	1	113-522	Piston Use 113-629 Washer 2-1/2" Dia	4,000/96X120"
5	1	114-640	Piston 3" Dia Cyl.	5,000/96X120"
6●	1	036-153	Wear Ring - 2-1/2" Wide Piston	4,000/96X120"
6●	1	036-154	Wear Ring - 3" Wide Piston	5,000/96X120"
7●	1	036-143	Rod Wear Ring	4, & 5,000/96X120"
8●	1	036-133	O-Ring, 2-1/2"ODx2-1/4"ID	4,000/96X120"
8●	1	036-132	O-Ring, 3"ODx2-1/4"ID	5,000/96X120"
9●	1	036-119	U-Cup, Seal 1.875" X 2.5" X .5"	4,000/96X120"
9●	1	036-112	U-Cup, Seal - 3" X 2-3/8" X 1/2"	5,000/96X120"
10●	1	036-108	O-Ring, 3/4"OD X 5/8"ID X 1/16"	4, & 5,000/96X120"
11●	1	036-098	Wiper, 1-3/4ODx1-1/2	4, & 5,000/96X120"
12	1	034-500	Fitting, 2103-6-6	4, & 5,000/96X120"
13●	1	118-368	Gasket, 2" Dia Cyl	4,000/96X120"
13●	1	117-993	Gasket	5,000/96X120"
14	1	011-530	Nut, Hex Jam, 3/4"-10	4, & 5,000/96X120"
15	1	036-180	O-Ring (Reciprocating)	4, & 5,000/96X120"
-	-	<b>783-536</b>	<b>Kit, Seal - Includes Items marked (●)</b>	<b>4,000/96X120"</b>
-	-	<b>783-538</b>	<b>Kit, Seal - Includes Items marked (●)</b>	<b>5,000/96X120"</b>

**11.5.4 Crosshead Assembly - 4, & 5,000 lb. Cap. - 96x120" Deck**

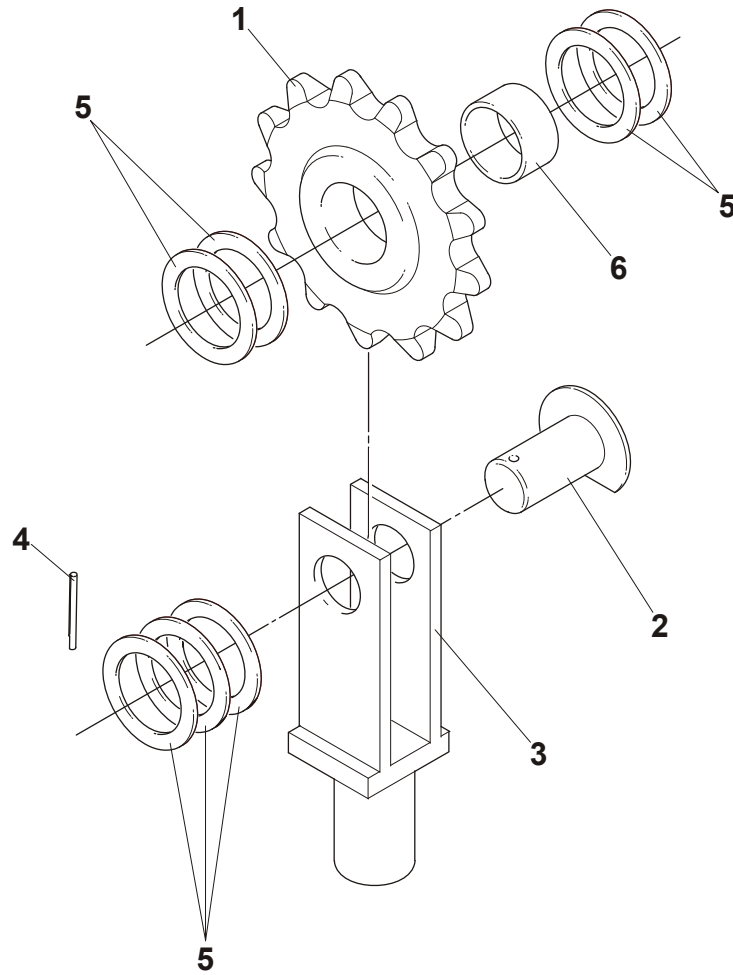


Figure 73 : Crosshead Assembly - 4, & 5,000 lb. Cap. - 96x120" Deck Length



**11.5.5 Crosshead Assembly - 4, & 5,000 lb. Cap. - 96x120" Deck**

Item	Qty	Part No	General Description	Specific Description
-	-	<b>797-459</b>	<b>Crosshead Assembly (3"X3")</b>	<b>4,&amp; 5,000/96X120"</b>
1	1	105-645	Sprocket (Ramtop) Assembly	4,& 5,000/96X120"
2	1	797-451	Pin Assembly (3"X1-1/4")	4,& 5,000/96X120"
3	1	797-504	Crosshead Weldment (1-1/2"Ram)	4,& 5,000/96X120"
4	1	013-012	Spring Pin - 1/4" X 2"	4,& 5,000/96X120"
5	8	105-882	Washer-Spacer - (1-3/4" Dia)	4,& 5,000/96X120"
6	1	018-027	Bushing	4,& 5,000/96X120"

## 12. Schematics & Wiring Diagrams

### 12.1 Wiring Diagram-5,7.5,&10 H.P. Power Packs - 230V/1Ø/60Hz

#### WIRING DIAGRAM AND HYDRAULIC SCHEMATIC

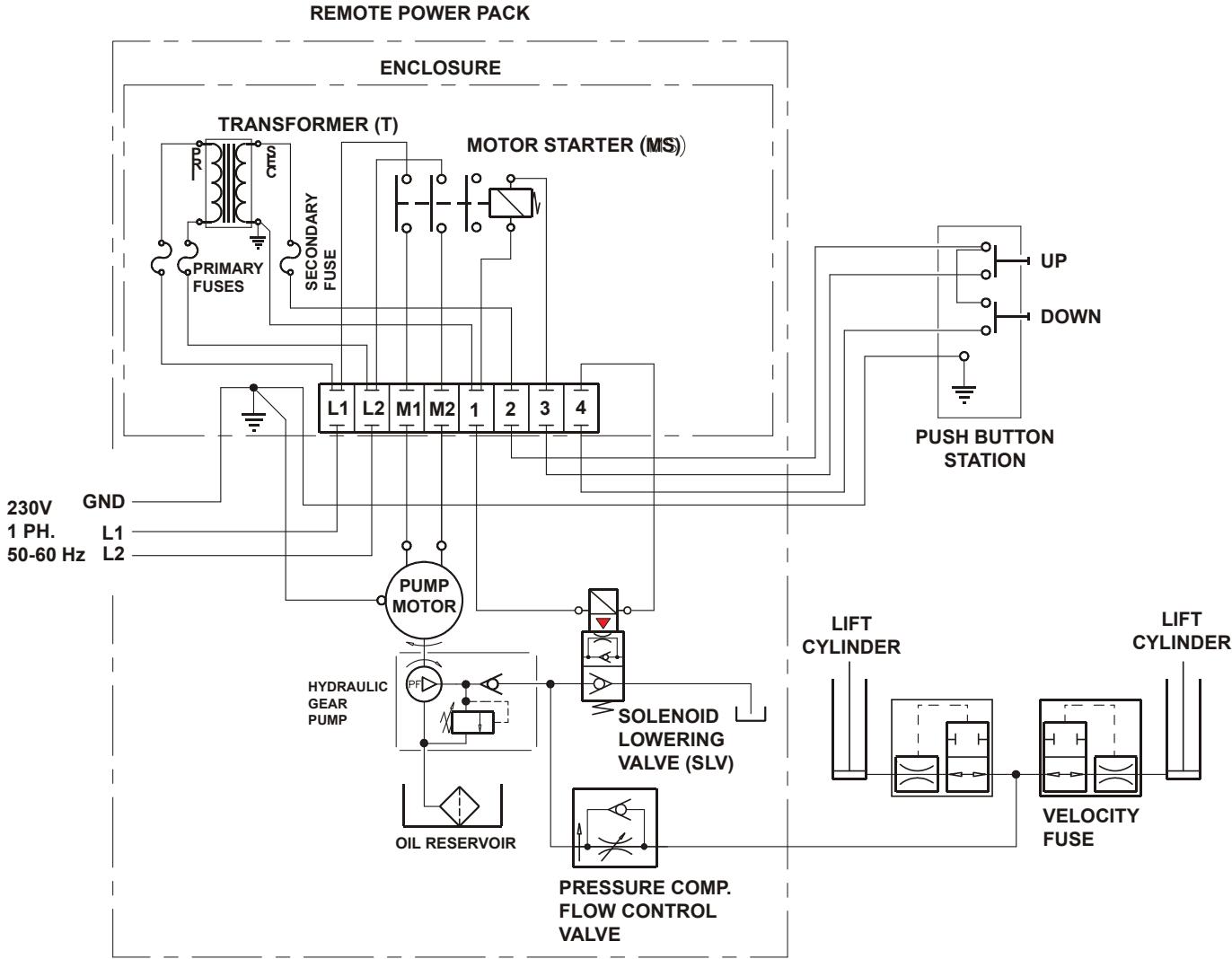


Figure 74 : Wiring Diagram-5,7.5,&10 H.P. Power Packs - 230V/1Ø/60Hz

**12.2 Electrical Schematic-5,7.5,&10 H.P. Power Packs - 230V/1Ø/60Hz**

**ELECTRICAL SCHEMATIC**

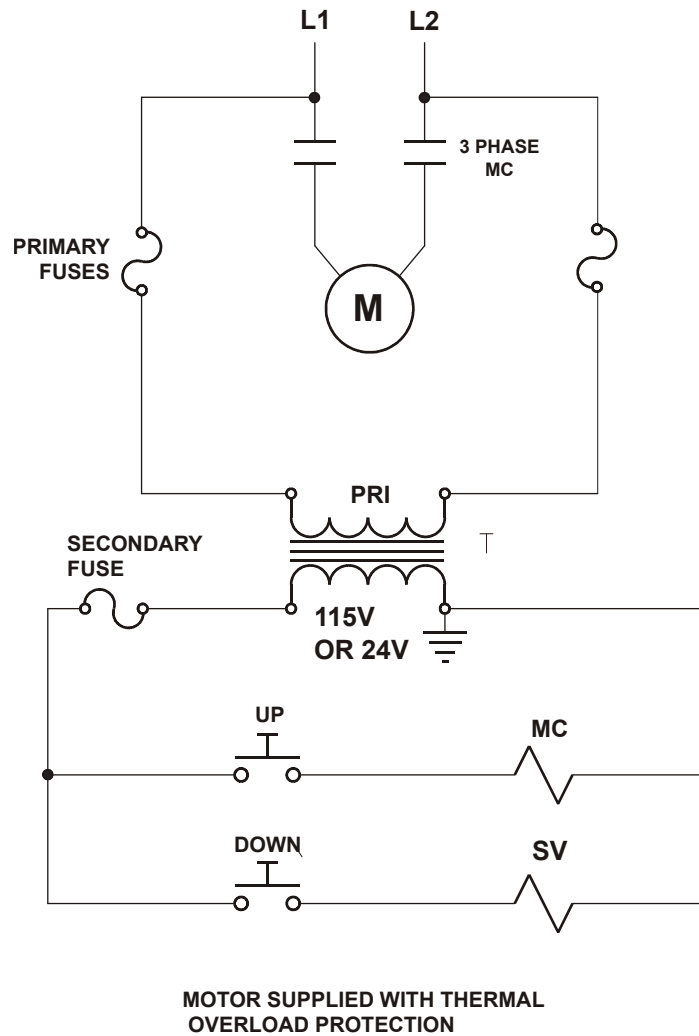
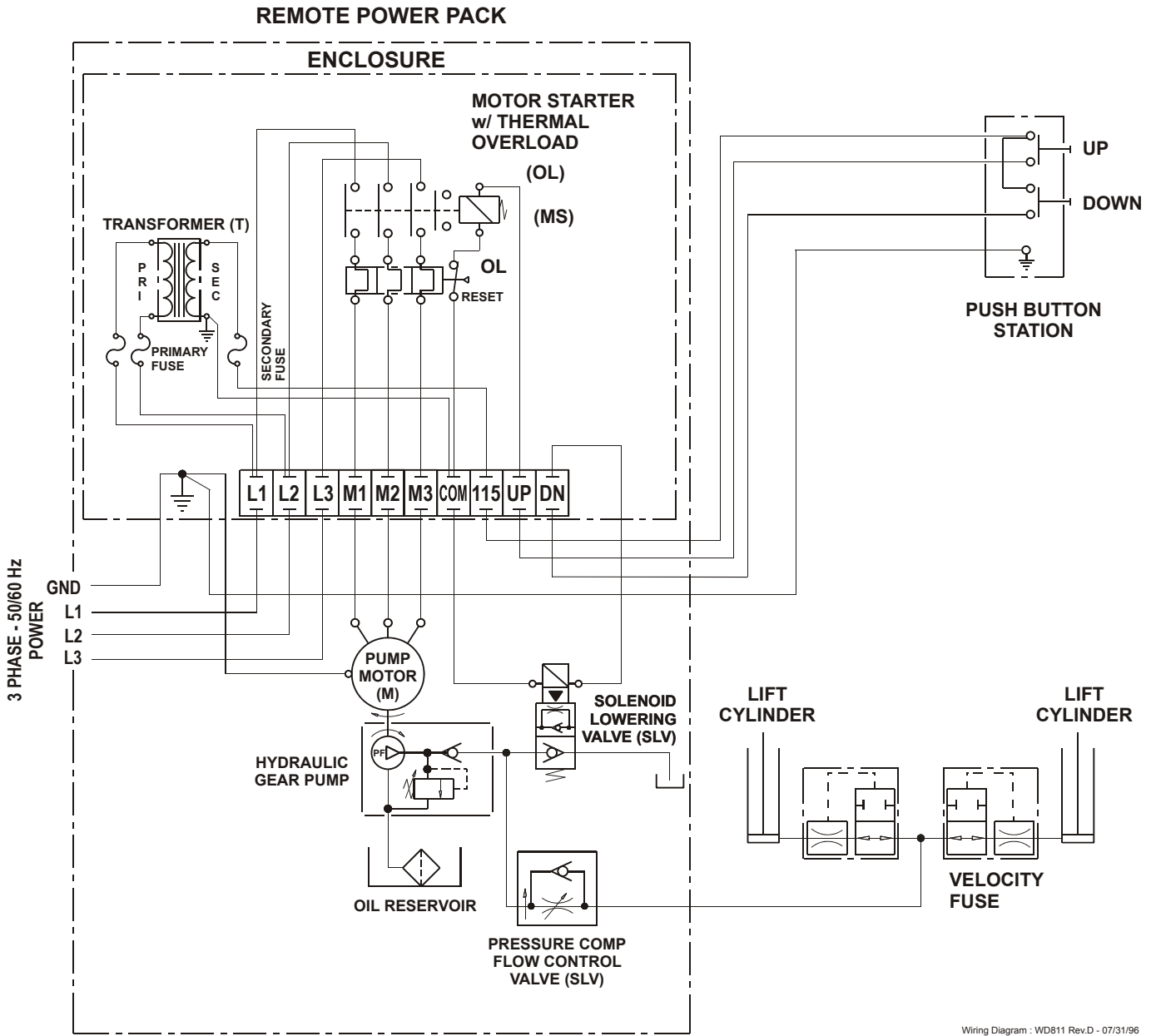


Figure 75 : Electrical Schematic-5,7.5,&10 H.P. Power Packs - 230V/1Ø/60Hz

**12.3 Wiring Diagram-5,7.5,&10 H.P. Power Packs - 208-575V/3Ø/60Hz**



Wiring Diagram : WD811 Rev.D - 07/31/96

Figure 76 : Wiring Diagram-5,7.5,&10 H.P. Power Packs - 208-575V/3Ø/60Hz

**12.4 Electrical Schematic-5,7.5,&10 H.P. Power Packs - 208-575V/3Ø/60Hz**

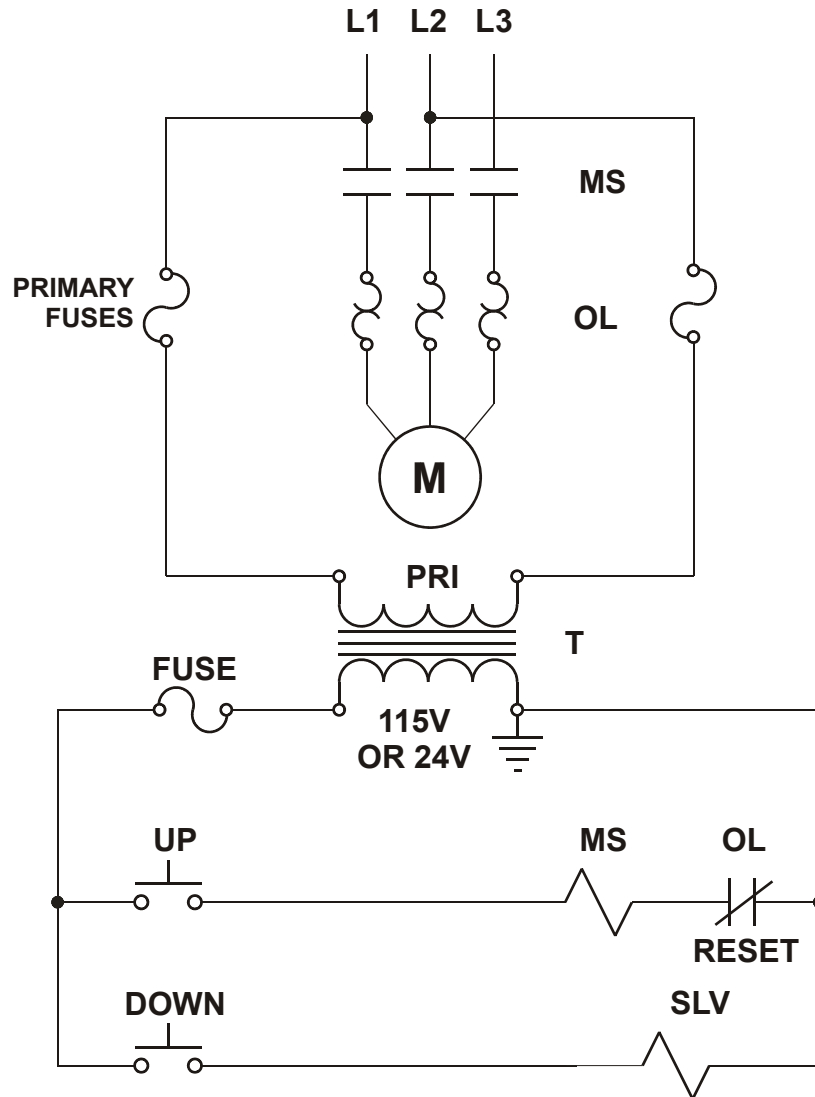
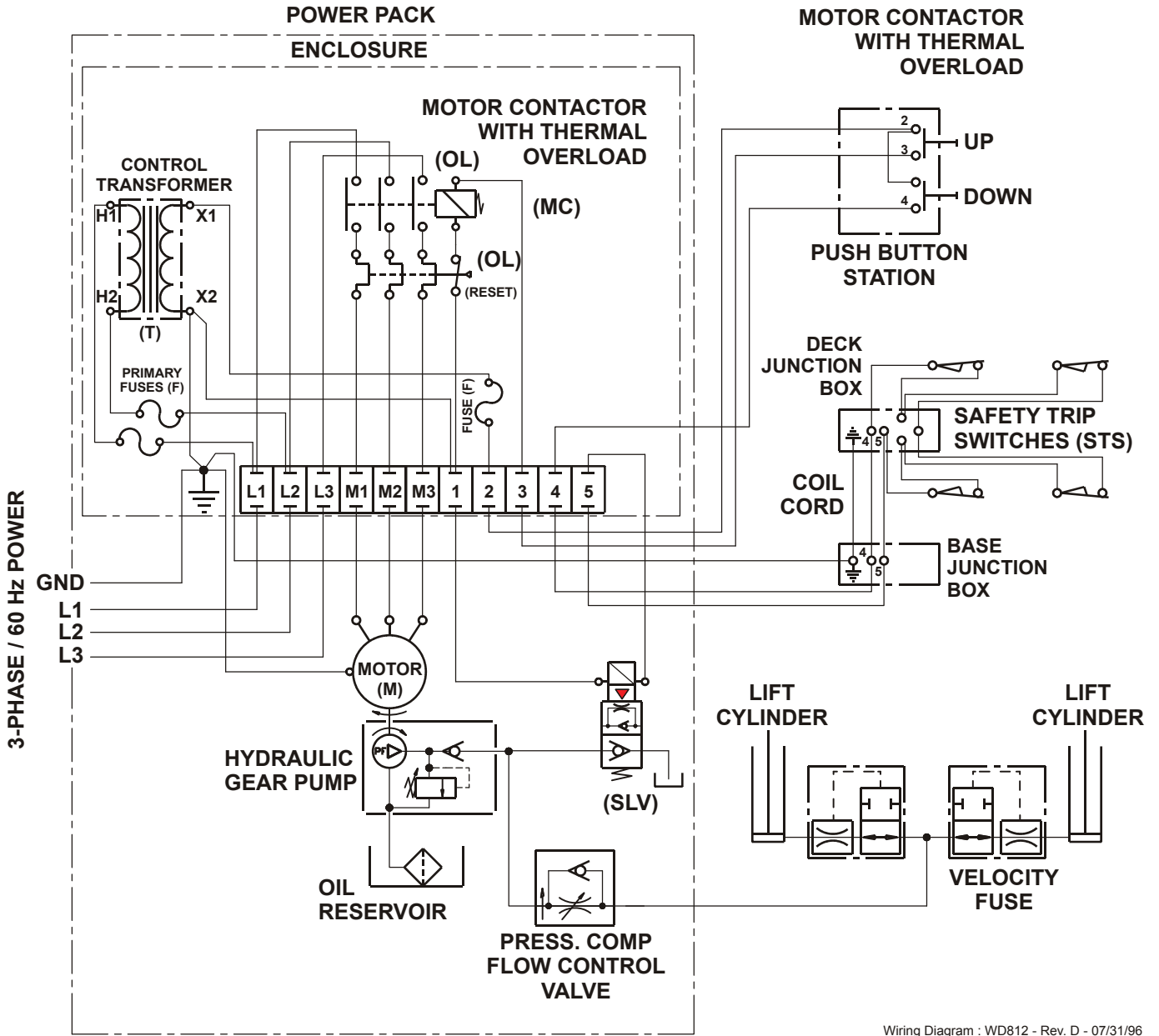


Figure 77 : Electrical Schematic-5,7.5,&10 H.P. Power Packs - 208-575V/3Ø/60Hz

**12.5 Wiring Diagram-5-10 H.P. Power Packs - w/Safety Trip Switches**



Wiring Diagram : WD812 - Rev. D - 07/31/96

Figure 78 : Wiring Diagram-5-10 H.P. Power Packs - w/Safety Trip Switches

**12.6 Electrical Schematic - 5-10 H.P. Power Packs - w/Safety Trip Switches**

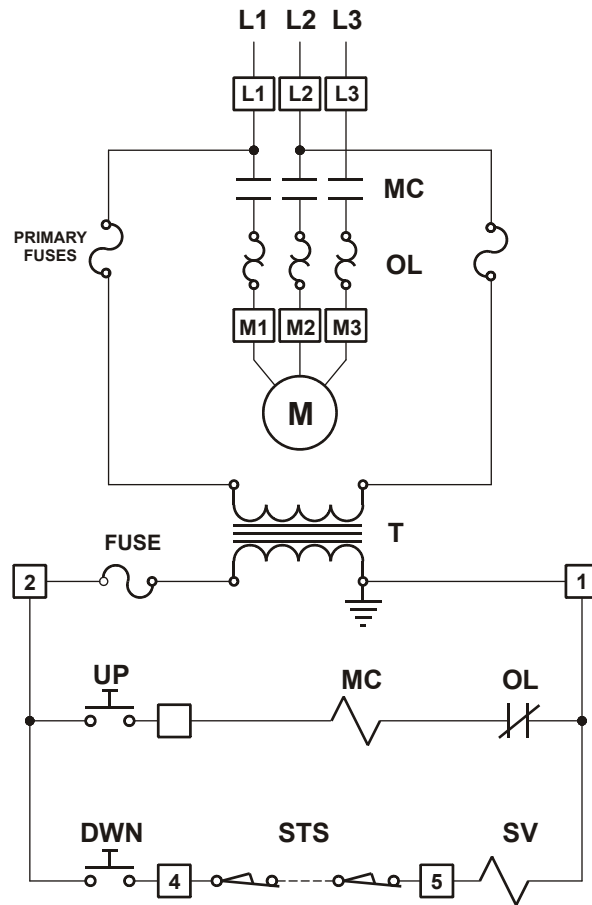
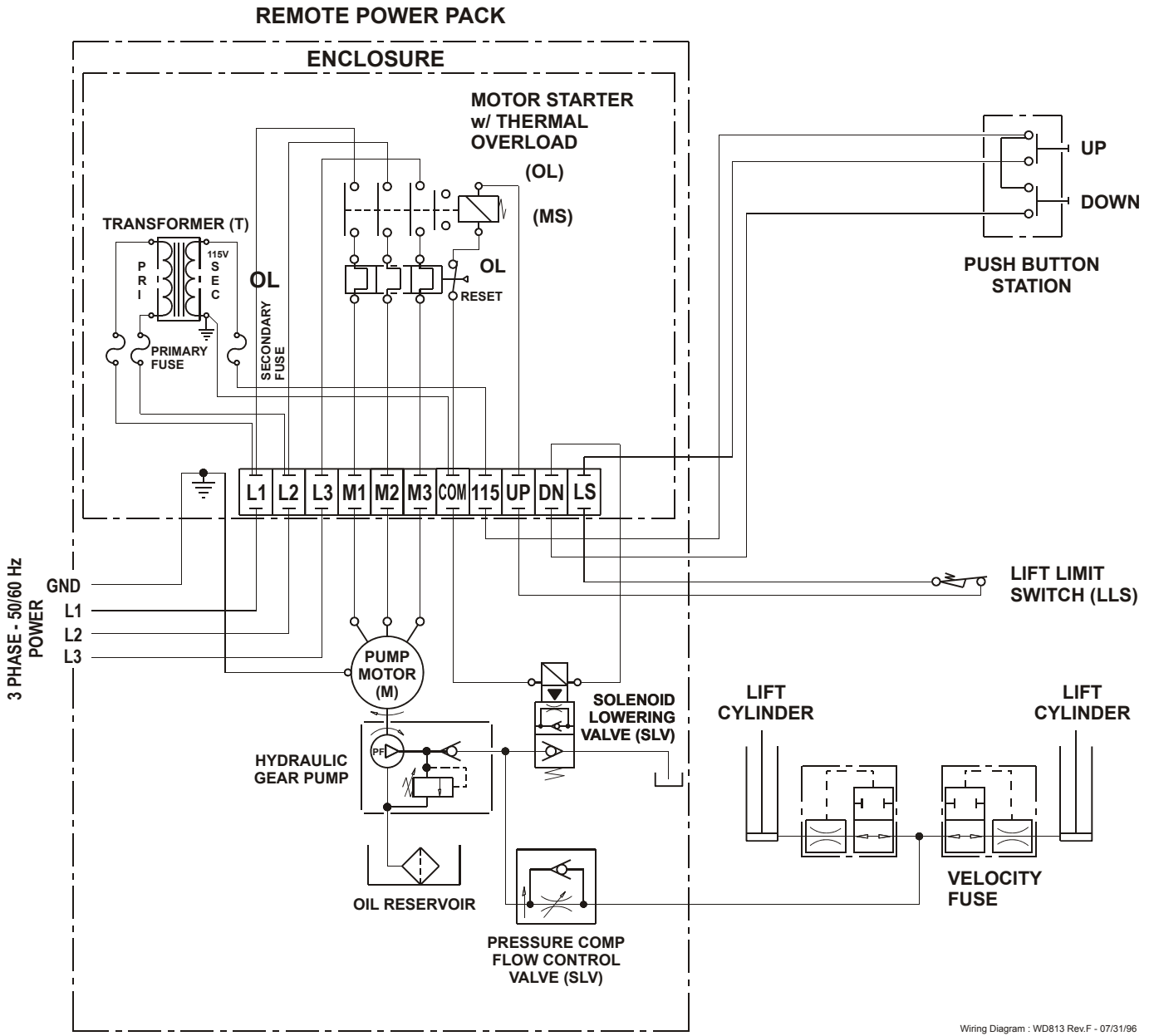


Figure 79 : Electrical Schematic - 5-10 H.P. Power Packs - w/Safety Trip Switches

**12.7 Wiring Diagram-5-10 H.P. Power Packs - w/Up-Limit Switch**



Wiring Diagram : WD813 Rev.F - 07/31/96

Figure 80 : Wiring Diagram-5-10 H.P. Power Packs - Up Limit Switch



**12.8 Electrical Schematic - 5-10 H.P. Power Packs - w/Up-Limit Switch**

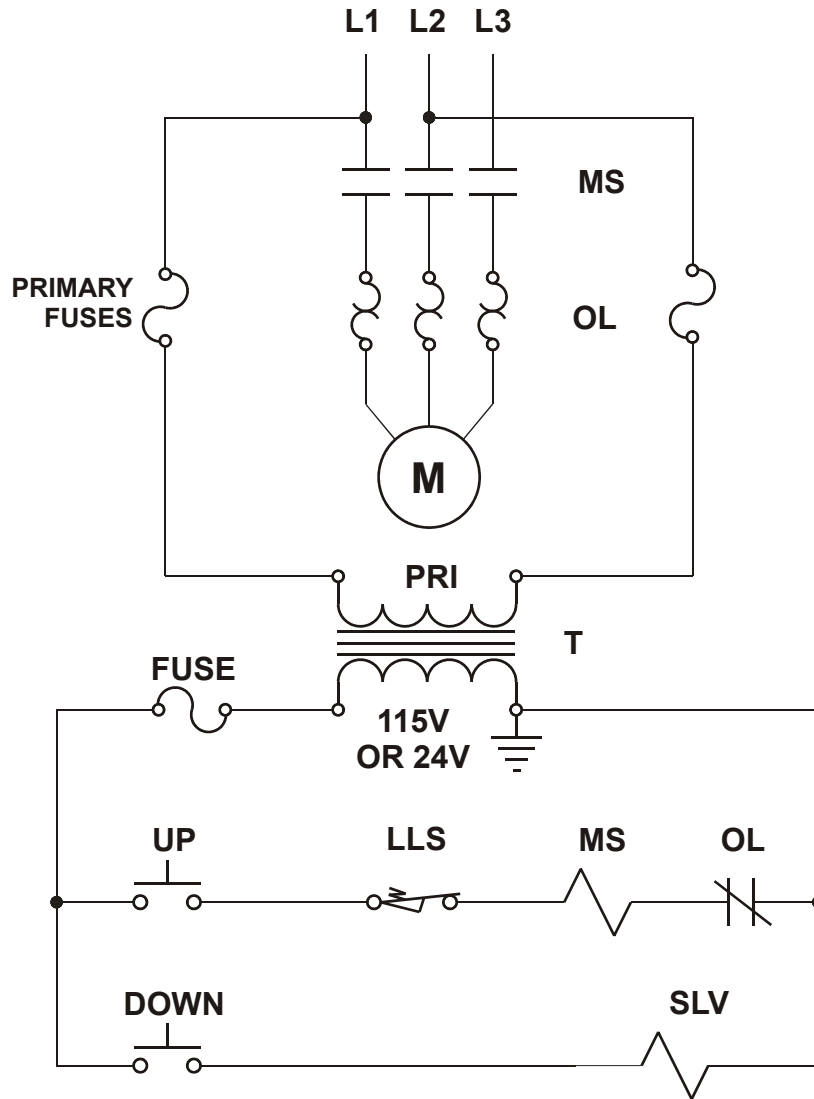


Figure 81 : Electrical Schematic-5-10 H.P. Power Packs - Up Limit Switch



## **12.9 Electrical Schematic - 5-10 H.P. Power Packs - w/Up-Limit Switch**

**13. Service / Maintenance History**

DATE	WORK PERFORMED	COMMENTS / NOTES

**TO ORDER PARTS**

For prompt service when ordering parts, please provide the following information to your local distributor.

- 1. Model and Serial number of the equipment.
- 2. Part number, description and quantity.
- 3. Shipping instructions.

When in doubt as to part required, please provide a sketch or the used part as a sample.

**RECORD HERE FOR FUTURE REFERENCE**

Model Number : \_\_\_\_\_  
Serial Number : \_\_\_\_\_  
Distributor : \_\_\_\_\_

**FOR RECOMMENDED SPARE PARTS CONTACT THE MANUFACTURER**

**TEL: 800 668 7078 / 905 457 3900**  
**FAX: 800 808 0798 / 905 450 6555**

---

**BLUE GIANT**®

85 Heart Lake Road South  
Brampton, Ontario, Canada L6W 3K2  
Phone : 905-457-3900 Fax : 905-457-2313  
[www.BlueGiant.com](http://www.BlueGiant.com)

**BLUE GIANT EQUIPMENT CORPORATION**